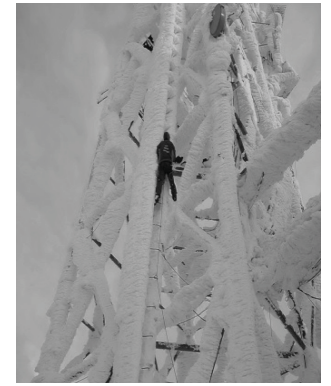


Trylon



SITE ACCESSORIES CATALOG CANADA
March 2017

www.trylon.com

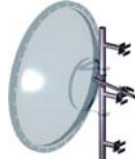
Pictorial Table of Contents



Page 2
Light Standoff Mounts



Page 4
Medium Standoff Mounts



Page 6
Heavy Standoff Mounts



Page 8
Crossover Kits



Page 11
Tie-Back Kits



Page 14
Backing Assemblies



Page 18
Wireless Frames



Page 20
Face Mount Frames



Page 22
Microwave Frames



Page 25
T-Frame Sector Mounts



Page 30
Monopole Mounts



Page 38
Rotatable Spines



Page 42
Cable Ladders



Page 49
Roof Top Coax Kits



Page 52
Waveguide Bridges



Page 64
WGB Components



Page 68
Roof Mounts



Page 76
Wall Mounts



Page 81
Climbing Ladders



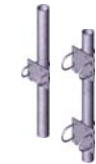
Page 84
Ice Shields



Page 86
Shelter Steps



Page 88
Safety Systems



Page 90
Pipe Mounts



Page 94
Miscellaneous Hardware

Table of Contents

Antenna Mounts

Light Standoff Mounts.....	2
Medium Standoff Mounts.....	4
Heavy Standoff Mounts.....	6
Fixed Crossover Assemblies.....	8
Universal Crossover Assemblies.....	8
Hybrid Crossover Assemblies.....	9
Adjustable Crossover Assembly.....	10
Adjustable Parallel Clamp Assembly.....	10
Tie-Back Assemblies.....	11
Swivel Knuckle Tie-Back Assemblies.....	13
Backing Assemblies.....	14
Large Pole Backing Kits.....	15
Single Arm Standoffs.....	16
Wireless Arms.....	17
Wireless Frames.....	18
Face Mounted Wireless Frames.....	20
Face Mounted Microwave Frames.....	22
Optional Face Mount Kits.....	23
Lightweight T-Frames.....	25
T-Frame Sector Mounts.....	26
Universal T-Frame Sector Mounts.....	28
Monopole Components.....	30
Monopole Wireless Arm Assemblies.....	33
Monopole Standoffs with Pipe Mount.....	33
Monopole T-Arm Kits.....	34
Monopole Co-Location T-Frame Kits.....	35
Low Profile Co-Location Platforms.....	36
Low Profile Rotatable Spine Mounts.....	38
Handrails for Low Profile Platforms.....	39
2-Level Rotatable Spine Mounts.....	40

Transmission Line Supports

Cable Ladders.....	42
Cable Ladder Attachment Kits.....	43
Cable Ladder Extension Bracket.....	43
Cable Ladder Assemblies.....	44
Cable Trays.....	48
Roof Top Coax Bridge Kits.....	49
Wall Coax Support Kits.....	49
T-Style Transmission Line Brackets.....	50
Boomerang Transmission Line Brackets.....	51
5' Incremental Waveguide Bridges (700 Series).....	52
4' Carport Waveguide Bridges (700 Series).....	56
8' Carport Waveguide Bridges (700 Series).....	57
12" Waveguide Bridges.....	58
18" Waveguide Bridges.....	59
24" Waveguide Bridges.....	60
8' Carport Waveguide Bridges.....	61
4' Carport Waveguide Bridges.....	62
2' Carport Waveguide Bridges.....	63
Triple Cantilever Waveguide Bridge.....	63
Waveguide Bridge Components.....	64

Roof Top Structures

Light Duty Ballast Mounts.....	68
Small Ballast Mounts.....	68
Heavy Duty Roof Mounts.....	69

Roof Top Structures continued

Heavy Duty Sector Frame Mounts.....	70
Roof Top Ballast Frames.....	71
10' x 10' Ballast Mounts.....	72
Roof Mount Components.....	73
Clip Angle Kits.....	76
Clip Mount Kits.....	77
Light Standoff Wall Mounts.....	78
Medium Standoff Wall Mounts.....	79
Heavy Standoff Wall Mounts.....	79
Wall Mount Brackets.....	80

Miscellaneous Tower Accessories

Climbing Ladders.....	81
Climbing Ladder Bracket Kits.....	82
Internal Monopole Climber Ladder Kits.....	82
External Climbing Ladder Kits.....	83
Ice Shield Kits.....	84
Ice Shield Platforms.....	84
Ice Shield Assemblies.....	85
Shelter Steps.....	86
Work Platforms.....	87
Cable Safety Climb System.....	88
Universal Retrofit Kits.....	88
Safety Climb Rail System.....	89
Pipe Mount Kits.....	90
Bulk Pipe.....	93
J-Bolt Kits.....	94
Threaded Rods.....	94
U-Bolt Kits.....	94
Hex Nuts.....	95
Lock Washers.....	95
Flat Washers.....	95
Bolts (Grade 5).....	95
Bolt Assemblies (A325).....	96
Butterfly Hangers.....	97
Snap-In Hangers.....	97
Angle Adapters.....	97
Cold Galvanizing.....	97
Ty-Rap.....	97
Bulbs.....	97
Paint.....	97
Guy Cable.....	98
Factory Terminations.....	98
Guy Grips.....	98
Shackles.....	98
Heavy Thimbles.....	99
U-Bolt Clips.....	99
Turnbuckles.....	99
Other Guy Anchor Materials.....	99
Tower Lighting.....	100

Kit Maximum Examples.....	101
---------------------------	-----

New Trylon Accessories.....	103
-----------------------------	-----

Index by Kit Number.....	107
--------------------------	-----

Terms and Conditions.....	Inside Back Cover
---------------------------	-------------------

Antenna Mounts

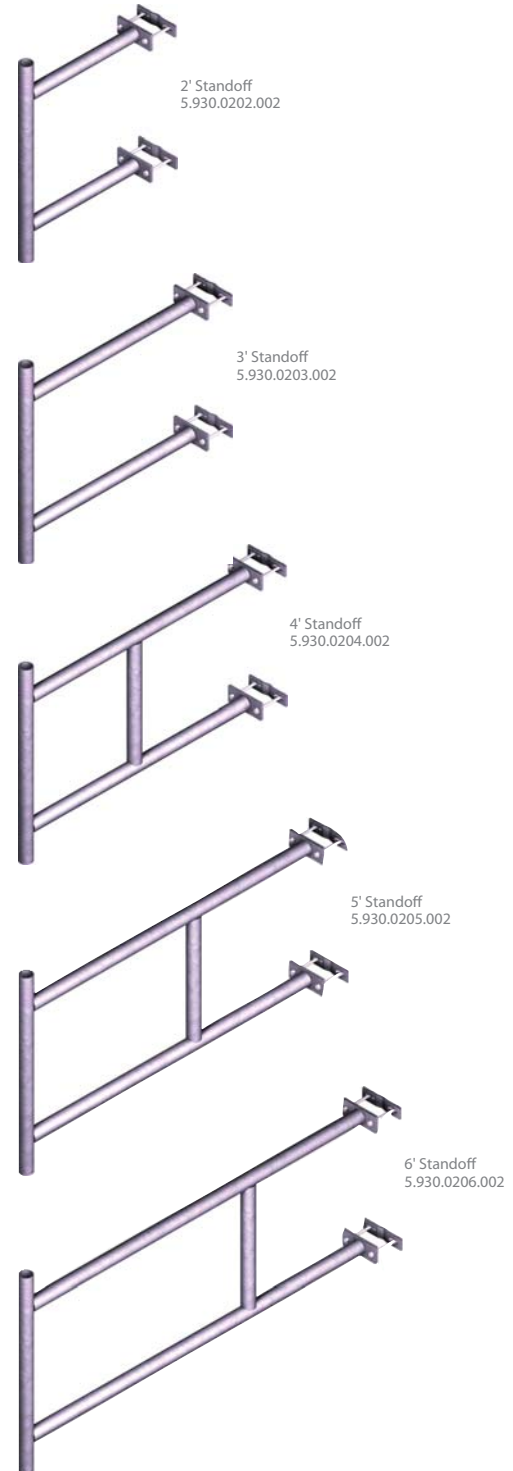
Light Standoff Mounts

Light Standoffs are a perfect mounting solution for wireless omni-directional antennas when separation from the tower structure is essential. They come in five standard standoffs ranging from 2' to 6' in 1' increments to suit your exact site needs.

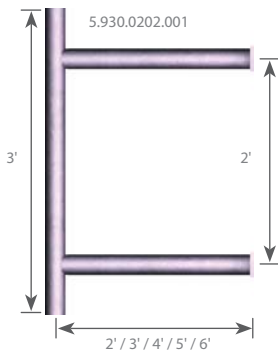
Members are welded to the strictest standards and are made from 2³/₈" OD structural tubes, which are then hot dip galvanized to weather the elements. The main pipe mount is 3' long to give you greater diversity in installing the antenna to the structure.

Four optional backing assemblies are available to attach to most tower legs. The standard 'small' backing assembly allows attachment to round legs up to 4¹/₂" OD. The 'medium' backing assembly can attach to round legs from 1" to 5⁵/₈" OD or 60° angle legs up to 6" in size. The 'large' backing assembly can attach to round legs ranging from 1¹/₂" to 11" OD, or 60° and 90° angles up to 8" in size. To accommodate additional possibilities such as tapered towers, the last option is our 'universal' backing assembly that has the same capabilities of the large backing assembly plus the ability to mount standoffs to either vertical tower legs or tapered tower legs up to 10° (1 in 6) slope.

All material hot dip galvanized to weather the elements.



Quick Guide			
Size	2' to 6' Light Standoffs	Mounts to	Up to 11" OD Legs Tapered or Vertical
Design	One piece welded frame	Material	Hot dip galvanized steel
Feature	2 ³ / ₈ " x 3' Mounting Pipe	Order Separately	Tie-Backs, page 11 for extra support



Trylon 21 South Field Drive, Elmira, ON N3B 0A6

P: 519.669.5421 F: 519.669.8912 E: info@trylon.com W: www.trylon.com

Antenna Mounts

Light Standoff Mounts continued

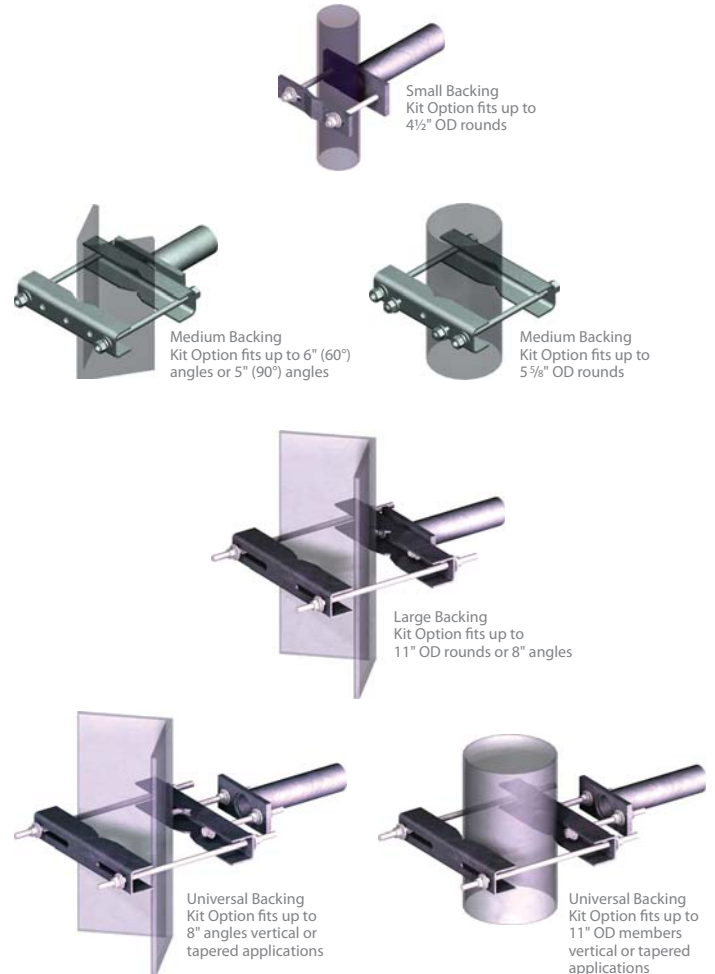
Kit #	Description	Qty	List Price	Wt
Light - 2' Standoff				
5.930.0202.001	S200L - 2' Standoff No Mounting Hardware	Ea	\$144	31
5.930.0202.002	S200L - 2' Standoff With Small Backing Kits	Ea	\$189	36
5.930.0202.007	S200L - 2' Standoff With Medium Backing Kits	Ea	\$254	46
5.930.0202.012	S200L - 2' Standoff With Large Backing Kits	Ea	\$282	53
5.930.0202.022	S200L - 2' Standoff With Universal Backing Kits	Ea	\$332	56

Kit #	Description	Qty	List Price	Wt
Light - 3' Standoff				
5.930.0203.001	S300L - 3' Standoff No Mounting Hardware	Ea	\$164	39
5.930.0203.002	S300L - 3' Standoff With Small Backing Kits	Ea	\$208	44
5.930.0203.007	S300L - 3' Standoff With Medium Backing Kits	Ea	\$273	54
5.930.0203.012	S300L - 3' Standoff With Large Backing Kits	Ea	\$302	61
5.930.0203.022	S300L - 3' Standoff With Universal Backing Kits	Ea	\$351	64

Kit #	Description	Qty	List Price	Wt
Light - 4' Standoff				
5.930.0204.001	S400L - 4' Standoff No Mounting Hardware	Ea	\$201	54
5.930.0204.002	S400L - 4' Standoff With Small Backing Kits	Ea	\$241	59
5.930.0204.007	S400L - 4' Standoff With Medium Backing Kits	Ea	\$300	69
5.930.0204.012	S400L - 4' Standoff With Large Backing Kits	Ea	\$325	76
5.930.0204.022	S400L - 4' Standoff With Universal Backing Kits	Ea	\$370	79

Kit #	Description	Qty	List Price	Wt
Light - 5' Standoff				
5.930.0205.001	S500L - 5' Standoff No Mounting Hardware	Ea	\$215	62
5.930.0205.002	S500L - 5' Standoff With Small Backing Kits	Ea	\$254	67
5.930.0205.007	S500L - 5' Standoff With Medium Backing Kits	Ea	\$312	76
5.930.0205.012	S500L - 5' Standoff With Large Backing Kits	Ea	\$337	84
5.930.0205.022	S500L - 5' Standoff With Universal Backing Kits	Ea	\$381	87

- Notes: 1. Small Backing Kits fit up to 4½" OD rounds.
 2. Medium Backing Kits fit up to 5⅝" OD rounds and 6" (60°) angles.
 3. Large Backing Kits fit up to 11" OD rounds and 8" angles.
 4. Universal Backing Kits fit up to 11" OD rounds and 8" angles, and can be mounted vertically or up to a 10° (1 in 6) tapered leg.



Kit #	Description	Qty	List Price	Wt
Light - 6' Standoff				
5.930.0206.001	S600L - 6' Standoff No Mounting Hardware	Ea	\$227	69
5.930.0206.002	S600L - 6' Standoff With Small Backing Kits	Ea	\$266	74
5.930.0206.007	S600L - 6' Standoff With Medium Backing Kits	Ea	\$322	84
5.930.0206.012	S600L - 6' Standoff With Large Backing Kits	Ea	\$347	91
5.930.0206.022	S600L - 6' Standoff With Universal Backing Kits	Ea	\$390	94

- Notes: 1. Small Backing Kits fit up to 4½" OD rounds.
 2. Medium Backing Kits fit up to 5⅝" OD rounds and 6" (60°) angles.
 3. Large Backing Kits fit up to 11" OD rounds and 8" angles.
 4. Universal Backing Kits fit up to 11" OD rounds and 8" angles, and can be mounted vertically or up to a 10° (1 in 6) tapered leg.

Antenna Mounts

Medium Standoff Mounts

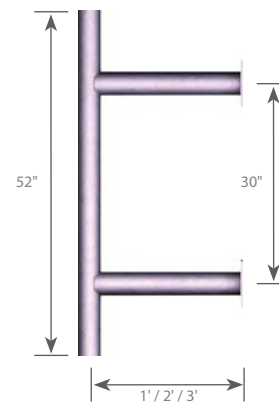
Medium Standoff Mounts are offered in three sizes (1', 2' and 3') to suit your specific application. Its versatile 3½" OD x 52" long pipe is heavy enough to accommodate small dishes and most wireless or panel antennas.

Tapered standoffs are available for industry standard 3° (1 in 20) tower structures, while universal backing hardware options can be purchased to accommodate tapered legs up to 8° (1 in 7 slope). Tie-Back assemblies are available on pages 11 to 13 for when antenna orientation is critical for your system.

The standard 'small' backing assembly allows attachment to round legs up to 4½" OD. The 'medium' backing assembly can attach to round legs up to 5⅝" OD or 60° angle legs up to 6" in size. The 'large' backing assembly can be attached to round legs ranging from 1½" to 11" OD, or 60° and 90° angles up to 8" in size.

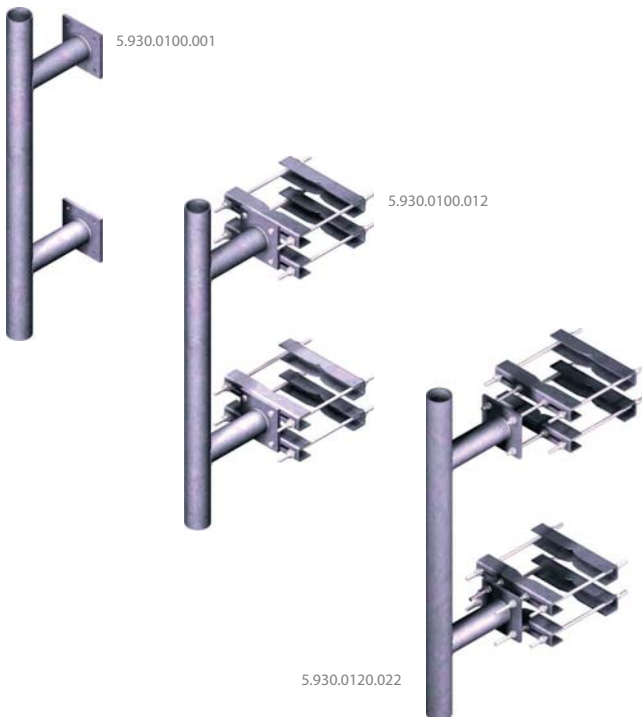
Another option is the 'universal' backing assembly which can accommodate round legs up to 11" OD or angles up to 8°. It offers the unique ability to mount standoffs to either vertical tower legs or tapered tower legs up to 8° (1 in 7) slope.

Quick Guide			
Size	1', 2', and 3' Medium Standoffs	Mounts to	Up to 11" OD Legs Tapered or Vertical
Design	One piece welded frame	Material	Hot dip galvanized steel
Feature	3½" x 52" Mounting Pipe	Order Separately	Tie-Backs on pages 11 to 13



Kit #	Description	Qty	List Price	Wt
Medium - 1' Standoff (vertical)				
5.930.0100.001	S100M-V: 1' Vertical Standoff No Mounting Hardware	Ea	\$202	61
5.930.0100.002	S100M-V: 1' Vertical Standoff Includes Small Backing Kits	Ea	\$281	71
5.930.0100.007	S100M-V: 1' Vertical Standoff Includes Medium Backing Kits	Ea	\$396	90
5.930.0100.012	S100M-V: 1' Vertical Standoff Includes Large Backing Kits	Ea	\$446	105
Medium - 1' Standoff (tapered)				
5.930.0101.001	S100M-T: 1' Tapered Standoff No Mounting Hardware	Ea	\$214	62
5.930.0101.002	S100M-T: 1' Tapered Standoff Includes Small Backing Kits	Ea	\$295	72
5.930.0101.007	S100M-T: 1' Tapered Standoff Includes Medium Backing Kits	Ea	\$415	91
5.930.0101.012	S100M-T: 1' Tapered Standoff Includes Large Backing Kits	Ea	\$468	106
Medium - 1' Standoff (universal)				
5.930.0120.022	S100M-U: 1' Vertical Standoff Includes Universal Backing Kits	Ea	\$580	111

- Notes:
1. Small Backing Kits fit up to 4½" OD rounds.
 2. Medium Backing Kits fit up to 5⅝" OD rounds and 6" (60°) angles.
 3. Large Backing Kits fit up to 11" OD rounds and 8" angles.
 4. Universal Backing Kits fit up to 11" OD rounds and 8" angles, and can be mounted vertically or up to a 8° (1 in 7) tapered leg.

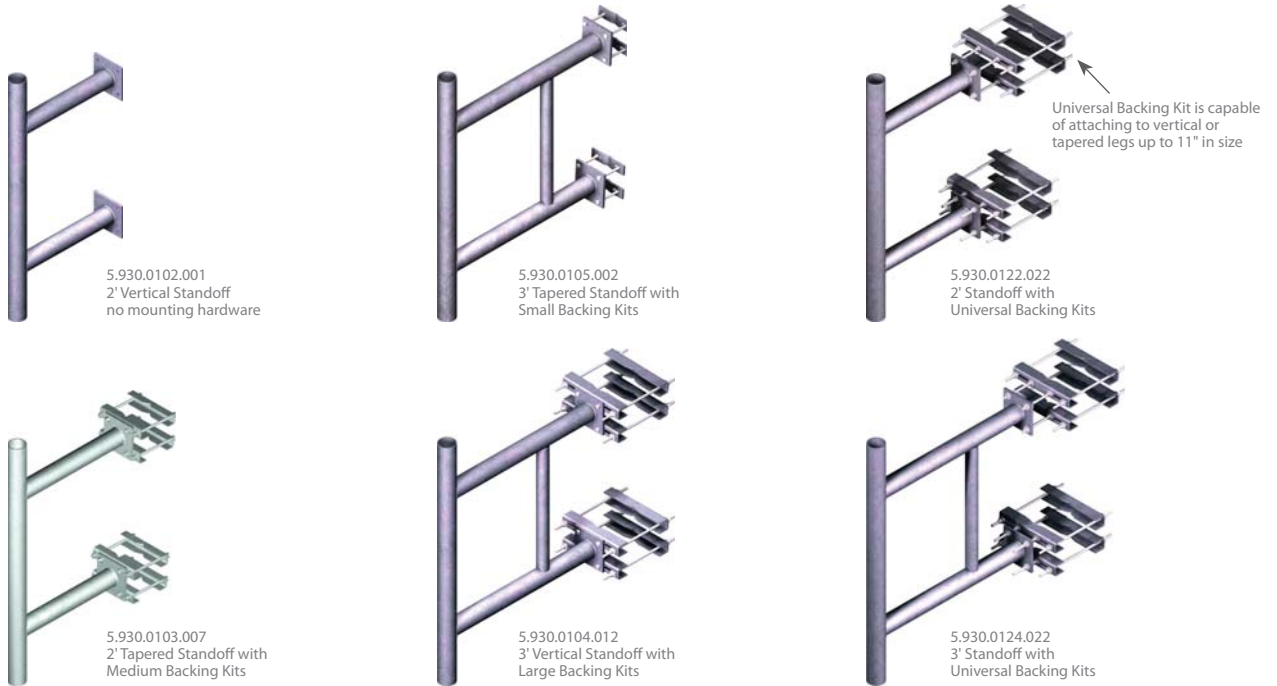


Trylon 21 South Field Drive, Elmira, ON N3B 0A6

P: 519.669.5421 F: 519.669.8912 E: info@trylon.com W: www.trylon.com

Antenna Mounts

Medium Standoff Mounts continued



Kit #	Description	Qty	List Price	Wt
Medium - 2' Standoff (vertical)				
5.930.0102.001	S200M-V: 2' Vertical Standoff No Mounting Hardware	Ea	\$237	77
5.930.0102.002	S200M-V: 2' Vertical Standoff Includes Small Backing Kits	Ea	\$315	87
5.930.0102.007	S200M-V: 2' Vertical Standoff Includes Medium Backing Kits	Ea	\$430	106
5.930.0102.012	S200M-V: 2' Vertical Standoff Includes Large Backing Kits	Ea	\$481	121
Medium - 2' Standoff (tapered)				
5.930.0103.001	S200M-T: 2' Tapered Standoff No Mounting Hardware	Ea	\$250	78
5.930.0103.002	S200M-T: 2' Tapered Standoff Includes Small Backing Kits	Ea	\$331	88
5.930.0103.007	S200M-T: 2' Tapered Standoff Includes Medium Backing Kits	Ea	\$451	107
5.930.0103.012	S200M-T: 2' Tapered Standoff Includes Large Backing Kits	Ea	\$504	122
Medium - 2' Standoff (universal)				
5.930.0122.022	S200M-U: 2' Vertical Standoff Includes Universal Backing Kits	Ea	\$618	127

- Notes: 1. Small Backing Kits fit up to 4½" OD rounds.
 2. Medium Backing Kits fit up to 5⅝" OD rounds and 6" (60°) angles.
 3. Large Backing Kits fit up to 11" OD rounds and 8" angles.
 4. Universal Backing Kits fit up to 11" OD rounds and 8" angles, and can be mounted vertically or up to a 8° (1 in 7) tapered leg.

Kit #	Description	Qty	List Price	Wt
Medium - 3' Standoff (vertical)				
5.930.0104.001	S300M-V: 3' Vertical Standoff No Mounting Hardware	Ea	\$312	101
5.930.0104.002	S300M-V: 3' Vertical Standoff Includes Small Backing Kits	Ea	\$390	111
5.930.0104.007	S300M-V: 3' Vertical Standoff Includes Medium Backing Kits	Ea	\$505	131
5.930.0104.012	S300M-V: 3' Vertical Standoff Includes Large Backing Kits	Ea	\$555	145
Medium - 3' Standoff (tapered)				
5.930.0105.001	S300M-T: 3' Tapered Standoff No Mounting Hardware	Ea	\$328	102
5.930.0105.002	S300M-T: 3' Tapered Standoff Includes Small Backing Kits	Ea	\$409	112
5.930.0105.007	S300M-T: 3' Tapered Standoff Includes Medium Backing Kits	Ea	\$529	132
5.930.0105.012	S300M-T: 3' Tapered Standoff Includes Large Backing Kits	Ea	\$582	146
Medium - 3' Standoff (universal)				
5.930.0124.022	S300M-U: 3' Vertical Standoff Includes Universal Backing Kits	Ea	\$699	151

- Notes: 1. Small Backing Kits fit up to 4½" OD rounds.
 2. Medium Backing Kits fit up to 5⅝" OD rounds and 6" (60°) angles.
 3. Large Backing Kits fit up to 11" OD rounds and 8" angles.
 4. Universal Backing Kits fit up to 11" OD rounds and 8" angles, and can be mounted vertically or up to a 8° (1 in 7) tapered leg.

Antenna Mounts

Heavy Standoff Mounts

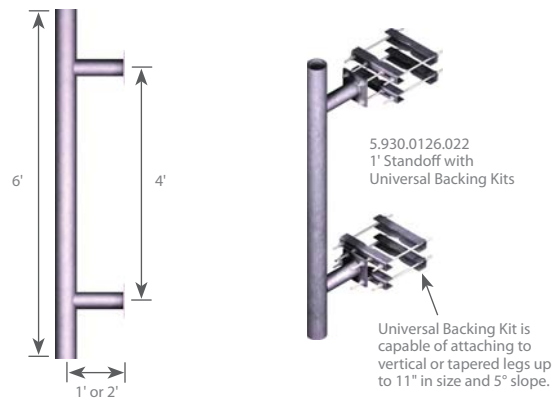
These Heavy Standoff Mounts are second to none. They are capable of holding large 12' microwave dishes under the most extreme wind speeds. The 4½" OD mounting pipe is available in two lengths, 6' and 8', and in the different offsets, 1' and 2'.

The standoffs are available as a vertical tower attachment, or as a 3° (1 in 20) tapered tower attachment. If the site-specific information is unavailable on whether a tower leg is vertical or not, then purchase the universal backing hardware as it allows installation on structures from 0° to 3° in slope, and can accommodate up to 11" OD rounds or 8" angles.

Standard backing assemblies are available in three sizes, small, medium or large. The small backing assembly can attach to round legs up to 4½" OD. The 'medium' backing assembly can attach to round legs up to 5⅝" OD or 60° angle legs up to 6" in size. The large backing assembly can attach to round legs ranging from 1½" to 11" OD, or 60° and 90° angle legs up to 8" in size.

Tie-backs are available on pages 11 to 13 to provide additional mount or antenna stability, and are recommended for extreme wind or heavy loading conditions.

Quick Guide			
Size	1' or 2' Large Standoff	Mounts to	Up to 11" OD Legs Tapered or Vertical
Design	One piece welded frame	Material	Hot dip galvanized steel
Feature	4½" x 6' or 8'	Order Separately	Tie-Backs on pages 11 to 13



Kit #	Description	Qty	List Price	Wt
Heavy - 1' Standoff with 4½" x 6' Pipe (vertical)				
5.930.0106.001	S100H-6V: 1' Vertical Standoff No Mounting Hardware	Ea	\$301	93
5.930.0106.002	S100H-6V: 1' Vertical Standoff Includes Small Backing Kits	Ea	\$386	103
5.930.0106.007	S100H-6V: 1' Vertical Standoff Includes Medium Backing Kits	Ea	\$511	123
5.930.0106.012	S100H-6V: 1' Vertical Standoff Includes Large Backing Kits	Ea	\$566	137
Heavy - 1' Standoff with 4½" x 6' Pipe (tapered)				
5.930.0107.001	S100H-6T: 1' Tapered Standoff No Mounting Hardware	Ea	\$306	95
5.930.0107.002	S100H-6T: 1' Tapered Standoff Includes Small Backing Kits	Ea	\$391	105
5.930.0107.007	S100H-6T: 1' Tapered Standoff Includes Medium Backing Kits	Ea	\$516	125
5.930.0107.012	S100H-6T: 1' Tapered Standoff Includes Large Backing Kits	Ea	\$571	139
Heavy - 1' Standoff with 4½" x 6' Pipe (universal)				
5.930.0126.022	S100H-6U: 1' Vertical Standoff Includes Universal Backing Kits	Ea	\$635	143

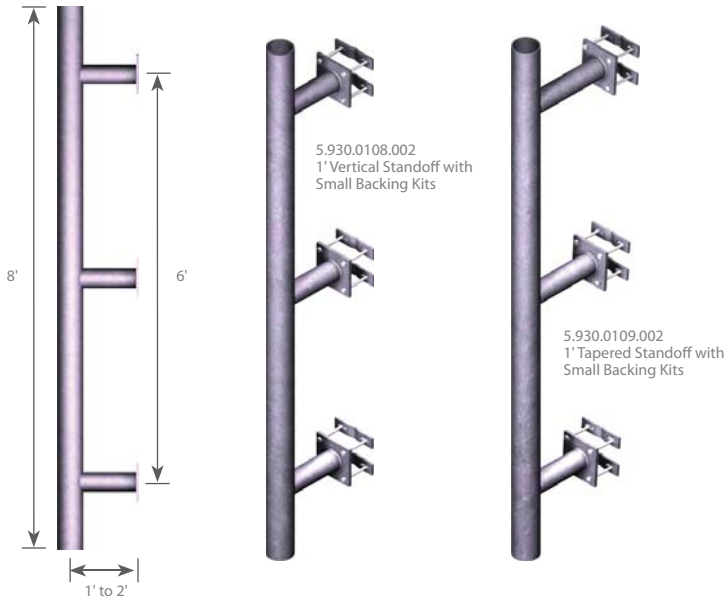
- Notes:
1. Small Backing Kits fit up to 4½" OD rounds.
 2. Medium Backing Kits fit up to 5⅝" OD rounds and 6" (60°) angles.
 3. Large Backing Kits fit up to 11" OD rounds and 8" angles.
 4. Universal Backing Kits fit up to 11" OD rounds and 8" angles, and can be mounted vertically or up to a 5° (1 in 12) tapered leg.

Kit #	Description	Qty	List Price	Wt
Heavy - 2' Standoff with 4½" x 6' Pipe (vertical)				
5.930.0110.001	S200H-6V: 2' Vertical Standoff No Mounting Hardware	Ea	\$325	109
5.930.0110.002	S200H-6V: 2' Vertical Standoff Includes Small Backing Kits	Ea	\$407	119
5.930.0110.007	S200H-6V: 2' Vertical Standoff Includes Medium Backing Kits	Ea	\$527	138
5.930.0110.012	S200H-6V: 2' Vertical Standoff Includes Large Backing Kits	Ea	\$580	153
Heavy - 2' Standoff with 4½" x 6' Pipe (tapered)				
5.930.0111.001	S200H-6T: 2' Tapered Standoff No Mounting Hardware	Ea	\$329	111
5.930.0111.002	S200H-6T: 2' Tapered Standoff Includes Small Backing Kits	Ea	\$410	121
5.930.0111.007	S200H-6T: 2' Tapered Standoff Includes Medium Backing Kits	Ea	\$530	140
5.930.0111.012	S200H-6T: 2' Tapered Standoff Includes Large Backing Kits	Ea	\$583	155
Heavy - 2' Standoff with 4½" x 6' Pipe (universal)				
5.930.0130.022	S200H-6U: 2' Vertical Standoff Includes Universal Backing Kits	Ea	\$643	159

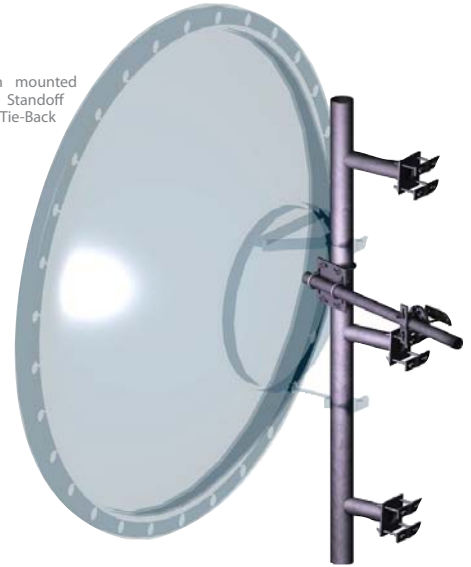
- Notes:
1. Small Backing Kits fit up to 4½" OD rounds.
 2. Medium Backing Kits fit up to 5⅝" OD rounds and 6" (60°) angles.
 3. Large Backing Kits fit up to 11" OD rounds and 8" angles.
 4. Universal Backing Kits fit up to 11" OD rounds and 8" angles, and can be mounted vertically or up to a 5° (1 in 12) tapered leg.

Antenna Mounts

Heavy Standoff Mounts *continued*



Illustrated is a 12' Dish mounted to the Heavy Duty Standoff (5.930.0109.002) and 4' Tie-Back (5.963.0004.001)



Kit #	Description	Qty	List Price	Wt
Heavy - 1' Standoff with 4½" x 8" Pipe (vertical)				
5.930.0108.001	S100H-8V: 1' Vertical Standoff No Mounting Hardware	Ea	\$403	128
5.930.0108.002	S100H-8V: 1' Vertical Standoff Includes Small Backing Kits	Ea	\$526	143
5.930.0108.007	S100H-8V: 1' Vertical Standoff Includes Medium Backing Kits	Ea	\$706	173
5.930.0108.012	S100H-8V: 1' Vertical Standoff Includes Large Backing Kits	Ea	\$785	194
Heavy - 1' Standoff with 4½" x 8" Pipe (tapered)				
5.930.0109.001	S100H-8T: 1' Tapered Standoff No Mounting Hardware	Ea	\$413	132
5.930.0109.002	S100H-8T: 1' Tapered Standoff Includes Small Backing Kits	Ea	\$535	147
5.930.0109.007	S100H-8T: 1' Tapered Standoff Includes Medium Backing Kits	Ea	\$715	177
5.930.0109.012	S100H-8T: 1' Tapered Standoff Includes Large Backing Kits	Ea	\$794	198
Heavy - 1' Standoff with 4½" x 8" Pipe (universal)				
5.930.0128.022	S100H-8U: 1' Vertical Standoff Includes Universal Backing Kits	Ea	\$922	203

- Notes: 1. Small Backing Kits fit up to 4½" OD rounds.
 2. Medium Backing Kits fit up to 5⅝" OD rounds and 6" (60°) angles.
 3. Large Backing Kits fit up to 11" OD rounds and 8" angles.
 4. Universal Backing Kits fit up to 11" OD rounds and 8" angles, and can be mounted vertically or up to a 3° (1 in 20) tapered leg.

Kit #	Description	Qty	List Price	Wt
Heavy - 2' Standoff with 4½" x 8" Pipe (vertical)				
5.930.0112.001	S200H-8V: 2' Vertical Standoff No Mounting Hardware	Ea	\$438	152
5.930.0112.002	S200H-8V: 2' Vertical Standoff Includes Small Backing Kits	Ea	\$555	167
5.930.0112.007	S200H-8V: 2' Vertical Standoff Includes Medium Backing Kits	Ea	\$631	181
5.930.0112.012	S200H-8V: 2' Vertical Standoff Includes Large Backing Kits	Ea	\$804	218
Heavy - 2' Standoff with 4½" x 8" Pipe (tapered)				
5.930.0113.001	S200H-8T: 2' Tapered Standoff No Mounting Hardware	Ea	\$447	156
5.930.0113.002	S200H-8T: 2' Tapered Standoff Includes Small Backing Kits	Ea	\$565	171
5.930.0113.007	S200H-8T: 2' Tapered Standoff Includes Medium Backing Kits	Ea	\$641	186
5.930.0113.012	S200H-8T: 2' Tapered Standoff Includes Large Backing Kits	Ea	\$813	222
Heavy - 2' Standoff with 4½" x 8" Pipe (universal)				
5.930.0132.022	S200H-8U: 2' Vertical Standoff Includes Universal Backing Kits	Ea	\$976	227

- Notes: 1. Small Backing Kits fit up to 4½" OD rounds.
 2. Medium Backing Kits fit up to 5⅝" OD rounds and 6" (60°) angles.
 3. Large Backing Kits fit up to 11" OD rounds and 8" angles.
 4. Universal Backing Kits fit up to 11" OD rounds and 8" angles, and can be mounted vertically or up to a 3° (1 in 20) tapered leg.

Antenna Mounts

Fixed Crossover Assemblies

These versatile pipe-pipe assemblies are used to secure two pipes at right angles (90°) to each other. Each kit contains a connection plate and four u-bolt assemblies. All parts are hot dip galvanized for maximum corrosion protection.

Quick Guide			
Size	10 Variations	Mounts to	See table below
Design	Pipe to Pipe connections	Material	Hot dip galvanized steel
Feature	Versatility in options	Order Separately	Pipes, page 93



Kit #	Description	Qty	List Price	Wt
Small Fixed Crossover Assembly				
5.960.0002.001	Crossover Kit and four u-bolts fit 2 ³ / ₈ " OD to 2 ³ / ₈ " OD pipes	Ea	\$57	7.9
Medium Fixed Crossover Assemblies				
5.960.0003.001	Crossover Kit and four u-bolts fit 3 ¹ / ₂ " OD to 3 ¹ / ₂ " OD pipes	Ea	\$68	9.5
5.960.0003.002	Crossover Kit and four u-bolts fit 2 ⁷ / ₈ " OD to 3 ¹ / ₂ " OD pipes	Ea	\$65	9.5
5.960.0003.003	Crossover Kit and four u-bolts fit 2 ³ / ₈ " OD to 3 ¹ / ₂ " OD pipes	Ea	\$63	9.3
5.960.0003.004	Crossover Kit and four u-bolts fit 2 ⁷ / ₈ " OD to 2 ⁷ / ₈ " OD pipes	Ea	\$63	9.5
5.960.0003.005	Crossover Kit and four u-bolts fit 2 ³ / ₈ " OD to 2 ⁷ / ₈ " OD pipes	Ea	\$61	9.3
Large Fixed Crossover Assemblies				
5.960.0004.001	Crossover Kit and four u-bolts fit 4 ¹ / ₂ " OD to 4 ¹ / ₂ " OD pipes	Ea	\$81	13.0
5.960.0004.002	Crossover Kit and four u-bolts fit 3 ¹ / ₂ " OD to 4 ¹ / ₂ " OD pipes	Ea	\$80	12.0
5.960.0004.003	Crossover Kit and four u-bolts fit 2 ⁷ / ₈ " OD to 4 ¹ / ₂ " OD pipes	Ea	\$77	12.0
5.960.0004.004	Crossover Kit and four u-bolts fit 2 ³ / ₈ " OD to 4 ¹ / ₂ " OD pipes	Ea	\$75	12.0

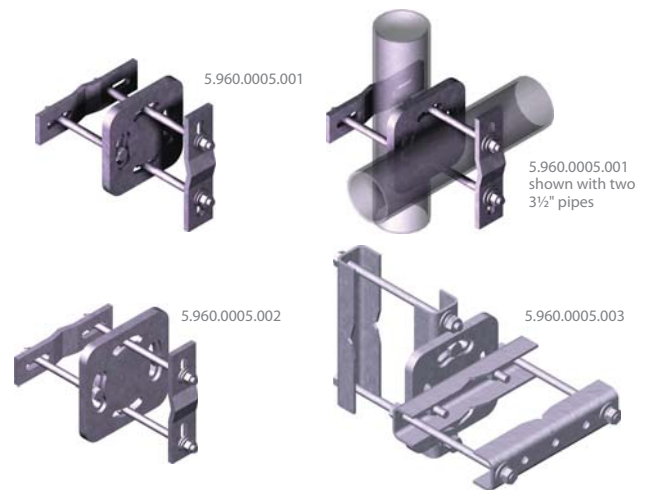
Notes: 1. 2³/₈" OD pipe can be exchanged for a 1⁷/₈" OD pipe.
 2. 2⁷/₈" OD pipe can be exchanged for a 3" OD pipe.

Universal Crossover Assemblies

The universal crossover assemblies are commonly used to secure two members (such as pipes, angles, or hss) at angles ranging from 45° to 90°. Depending on the kit, attachment sizes can range from 3/4" OD up to 11" OD. All parts are hot dip galvanized to provide corrosion protection in all environmental conditions.

Please note that OD means "outer diameter," and can be used for any structural member that falls within the size given.

Quick Guide			
Size	5 Variations	Mounts to	See table below
Design	Pipe to Pipe, or any member connection	Material	Hot dip galvanized steel
Feature	Adjustability ranging from 45° to 90°	Order Separately	Pipes, page 93



Kit #	Description	Qty	List Price	Wt
Universal Crossover Assemblies				
5.960.0005.002	Universal Kit and Hardware can fit two members up to 4 ¹ / ₂ " OD	Ea	\$80	11.0
5.960.0005.003	Universal Kit and Hardware can fit two members up to 5 ⁵ / ₈ " OD	Ea	\$133	21.0
5.960.0005.004	Universal Kit and Hardware can fit two members up to 8" OD	Ea	\$139	22.0
5.960.0005.005	Universal Kit and Hardware can fit two members up to 11" OD	Ea	\$155	28.0

Note: Members can be pipes, angles, or other members of equivalent or smaller size.

Antenna Mounts

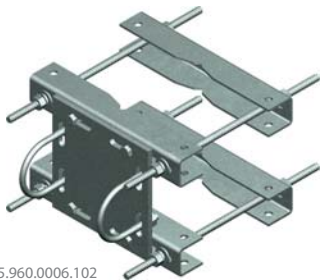
Hybrid Crossover Assemblies

The hybrid crossover assemblies connect standard pipes (2³/₈", 2⁷/₈", 3¹/₂", and 4¹/₂" OD) to other structural members (such as angles, pipes, or hss) using the adjustable backing portion of the assembly. The small assemblies attach these pipes to other members up to 4¹/₂" OD, while the standard and large assemblies attach to other members up to 11" OD members in size.

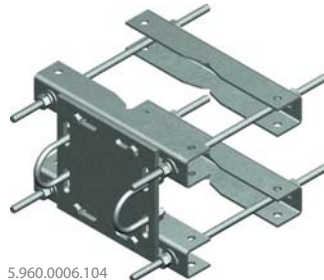
All pieces are hot dip galvanized.



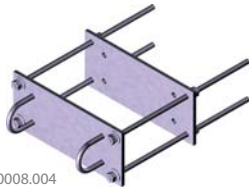
5.960.0006.001


 5.960.0006.004
shown with pipe
and angle


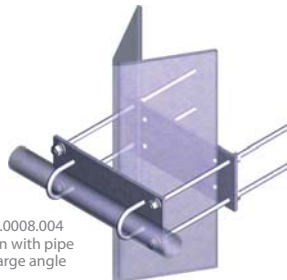
5.960.0006.102



5.960.0006.104



5.960.0008.004


 5.960.0008.004
shown with pipe
and large angle

Quick Guide

Size	11 Variations	Mounts to	See table below
Design	Pipe to various member connections	Material	Hot dip galvanized steel
Feature	Versatility to attach to pipes, angles, etc.	Order Separately	Pipes, page 93

Kit #	Description	Qty	List Price	Wt
Small Hybrid Crossover Assemblies				
5.960.0006.001	Crossover Kit and hardware fits 4 ¹ / ₂ " OD pipe up to 4 ¹ / ₂ " OD members	Ea	\$86	16
5.960.0006.002	Crossover Kit and hardware fits 3 ¹ / ₂ " OD pipe up to 4 ¹ / ₂ " OD members	Ea	\$85	15
5.960.0006.003	Crossover Kit and hardware fits 2 ⁷ / ₈ " OD pipe up to 4 ¹ / ₂ " OD members	Ea	\$84	15
5.960.0006.004	Crossover Kit and hardware fits 2 ³ / ₈ " OD pipe up to 4 ¹ / ₂ " OD members	Ea	\$82	15
Standard Hybrid Crossover Assemblies				
5.960.0006.102	Crossover Kit and hardware fits 3 ¹ / ₂ " OD pipe up to 11" OD members	Ea	\$166	32
5.960.0006.103	Crossover Kit and hardware fits 2 ⁷ / ₈ " OD pipe up to 11" OD members	Ea	\$164	32
5.960.0006.104	Crossover Kit and hardware fits 2 ³ / ₈ " OD pipe up to 11" OD members	Ea	\$162	32
Large Hybrid Crossover Assemblies				
5.960.0008.001	Crossover Kit and hardware fits 4 ¹ / ₂ " OD pipe up to 11" OD members	Ea	\$139	28
5.960.0008.002	Crossover Kit and hardware fits 3 ¹ / ₂ " OD pipe up to 11" OD members	Ea	\$138	28
5.960.0008.003	Crossover Kit and hardware fits 2 ⁷ / ₈ " OD pipe up to 11" OD members	Ea	\$127	25
5.960.0008.004	Crossover Kit and hardware fits 2 ³ / ₈ " OD pipe up to 11" OD member	Ea	\$126	25

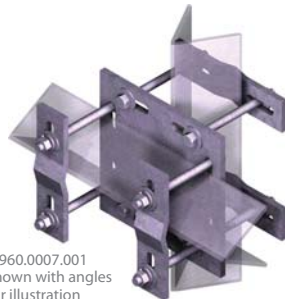
- Notes: 1. Examples of 4¹/₂" OD members are 4" (60°) angles, 3" (90°) angles, or 4¹/₂" hss members.
 2. 2³/₈" OD pipe can be exchanged for a 1⁷/₈" OD pipe.
 3. 2⁷/₈" OD pipe can be exchanged for a 3" OD pipe.

Antenna Mounts

Adjustable Crossover Assembly

The Adjustable Crossover Assembly can mate two variable-sized structural members at 90°. The maximum size of the members is 4¾" wide by 4½" deep. This is very useful when the required member size connection is unknown.

5.960.0007.001



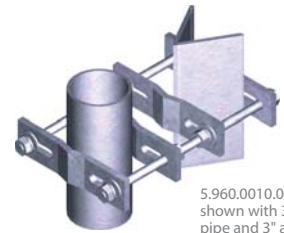
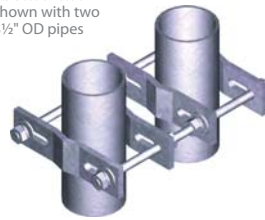
5.960.0007.001
shown with angles
for illustration

Kit #	Description	Qty	List Price	Wt
Adjustable Crossover Assembly				
5.960.0007.001	Crossover Kit and hardware can fit up to 4" (60°) angles, 4½" OD pipes or other members 4¾" wide by 4½" deep	Ea	\$127	19

Adjustable Parallel Clamp Assemblies

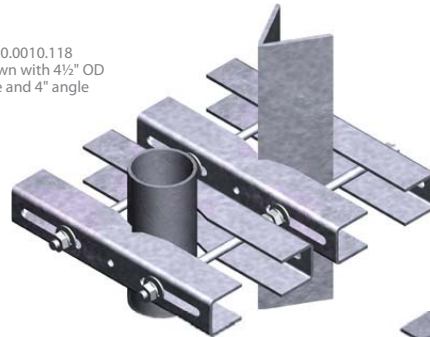
The Adjustable Parallel Clamp Assemblies allows parallel connection of two similar- or dissimilar-sized members. For sizing please review the figures on page 101 and 102 near the back of this catalogue. All material is hot dip galvanized.

5.960.0010.001
shown with two
3½" OD pipes



5.960.0010.001
shown with 3½" OD
pipe and 3" angle

5.960.0010.118
shown with 4½" OD
pipe and 4" angle



5.960.0010.124
shown with two
5/8" OD pipes

Kit #	Description	Qty	List Price	Wt
Adjustable Parallel Clamp Assembly				
5.960.0010.001	Adjustable Parallel Kit	Ea	\$62	8.5
5.960.0010.018	Medium (18") Adjustable Parallel Kit	Ea	\$86	14.0
5.960.0010.024	Medium (24") Adjustable Parallel Kit	Ea	\$90	15.0
5.960.0010.118	Large (18") Adjustable Parallel Kit	Ea	\$101	20.0
5.960.0010.124	Large (24") Adjustable Parallel Kit	Ea	\$104	20.0
5.960.0010.226	Extra Large (26") Adjustable Parallel Kit	Ea	\$113	18.0
5.960.0010.231	Extra Large (31") Adjustable Parallel Kit	Ea	\$116	19.0

Note: See page 101 and 102 for appropriate usage.

Antenna Mounts

Tie-Back Assemblies

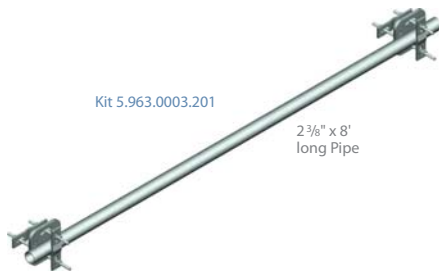
Tie-back Assemblies are commonly used to stabilize antennas and maintain critical azimuth orientation. They are highly recommended with any antenna mount that has a large antenna or separation, and in high wind or heavy ice conditions.

An assortment of 2³/₈" OD tie-backs are offered that meet almost any field application. The two key factors in determining the correct tie-back assembly are the overall length required and the attachments at either end. All material is hot dip galvanized.



Kit #	Description	Qty	List Price	Wt
Typical T-Frame Tie-Back Assemblies				
5.963.0003.001	8' long, with up to 3 ¹ / ₂ " OD adjustability at each end	Ea	\$222	50
5.963.0003.002	12' long, with up to 3 ¹ / ₂ " OD adjustability at each end	Ea	\$255	65
5.963.0003.003	15' long, with up to 3 ¹ / ₂ " OD adjustability at each end	Ea	\$281	76

Kit #	Description	Qty	List Price	Wt
Typical T-Frame Tie-Back Assemblies				
5.963.0003.101	8' long, with adjustability up to 3 ¹ / ₂ " OD at one end, and up to 4 ¹ / ₂ " OD at the other end	Ea	\$225	51
5.963.0003.102	12' long, with adjustability up to 3 ¹ / ₂ " OD at one end, and up to 4 ¹ / ₂ " OD at the other end	Ea	\$259	66
5.963.0003.103	15' long, with adjustability up to 3 ¹ / ₂ " OD at one end, and up to 4 ¹ / ₂ " OD at the other end	Ea	\$284	78

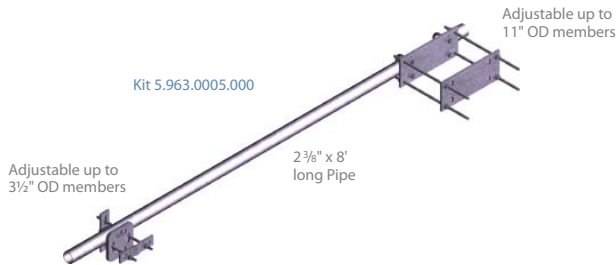


Kit #	Description	Qty	List Price	Wt
Typical T-Frame Tie-Back Assemblies				
5.963.0003.201	8' long, with up to 4 ¹ / ₂ " OD adjustability at each end	Ea	\$229	52
5.963.0003.202	12' long, with up to 4 ¹ / ₂ " OD adjustability at each end	Ea	\$262	67
5.963.0003.203	15' long, with up to 4 ¹ / ₂ " OD adjustability at each end	Ea	\$288	79

Kit #	Description	Qty	List Price	Wt
Typical Standoff Tie-Back Assemblies				
5.963.0004.001	4' long, with up to 3 ¹ / ₂ " or 4 ¹ / ₂ " OD fixed at one end, and up to 3 ¹ / ₂ " OD adjustability at the other end	Ea	\$194	39
5.963.0004.002	6' long, with up to 3 ¹ / ₂ " or 4 ¹ / ₂ " OD fixed at one end, and up to 3 ¹ / ₂ " OD adjustability at the other end	Ea	\$212	46
5.963.0004.003	8' long, with up to 3 ¹ / ₂ " or 4 ¹ / ₂ " OD fixed at one end, and up to 3 ¹ / ₂ " OD adjustability at the other end	Ea	\$229	54

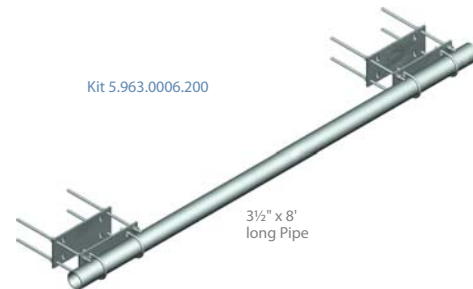
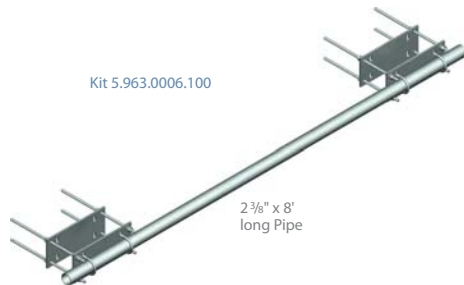
Antenna Mounts

Tie-Back Assemblies continued



Kit #	Description	Qty	List Price	Wt
Universal Tie-Back Assemblies (3 1/2" OD and 11" OD)				
5.963.0005.000	8' long, with adjustability up to 3 1/2" OD at one end, and up to 11" OD at the other end	Ea	\$266	65
5.963.0005.001	12' long, with adjustability up to 3 1/2" OD at one end, and up to 11" OD at the other end	Ea	\$301	80
5.963.0005.002	15' long, with adjustability up to 3 1/2" OD at one end, and up to 11" OD at the other end	Ea	\$328	92
5.963.0005.003	20' long, with adjustability up to 3 1/2" OD at one end, and up to 11" OD at the other end	Ea	\$372	111

Kit #	Description	Qty	List Price	Wt
Universal Tie-Back Assemblies (4 1/2" OD and 11" OD)				
5.963.0006.000	8' long, with adjustability up to 4 1/2" OD at one end, and up to 11" OD at the other end	Ea	\$270	66
5.963.0006.001	12' long, with adjustability up to 4 1/2" OD at one end, and up to 11" OD at the other end	Ea	\$305	82
5.963.0006.002	15' long, with adjustability up to 4 1/2" OD at one end, and up to 11" OD at the other end	Ea	\$331	93
5.963.0006.003	20' long, with adjustability up to 4 1/2" OD at one end, and up to 11" OD at the other end	Ea	\$376	112



Kit #	Description	Qty	List Price	Wt
Universal Tie-Back Assemblies (11" OD and 11" OD)				
5.963.0006.100	8' long, with up to 11" OD adjustability at each end	Ea	\$296	81
5.963.0006.101	12' long, with up to 11" OD adjustability at each end	Ea	\$331	96
5.963.0006.102	15' long, with up to 11" OD adjustability at each end	Ea	\$358	107
5.963.0006.103	20' long, with up to 11" OD adjustability at each end	Ea	\$402	127

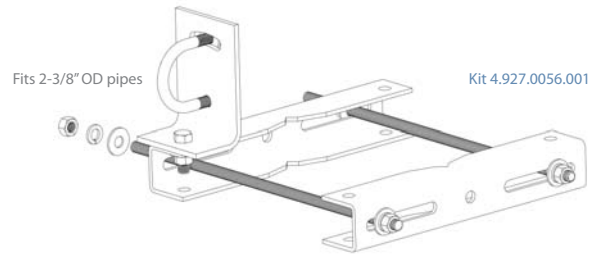
Kit #	Description	Qty	List Price	Wt
Universal Tie-Back Assemblies (11" OD and 11" OD)				
5.963.0006.200	3 1/2" x 8' long, with up to 11" OD adjustability at each end	Ea	\$379	114
5.963.0006.201	3 1/2" x 12' long, with up to 11" OD adjustability at each end	Ea	\$452	146
5.963.0006.202	3 1/2" x 5' long, with up to 11" OD adjustability at each end	Ea	\$506	170
5.963.0006.203	3 1/2" x 20' long, with up to 11" OD adjustability at each end	Ea	\$598	209

Antenna Mounts

Swivel Knuckle Tie-Back Assemblies

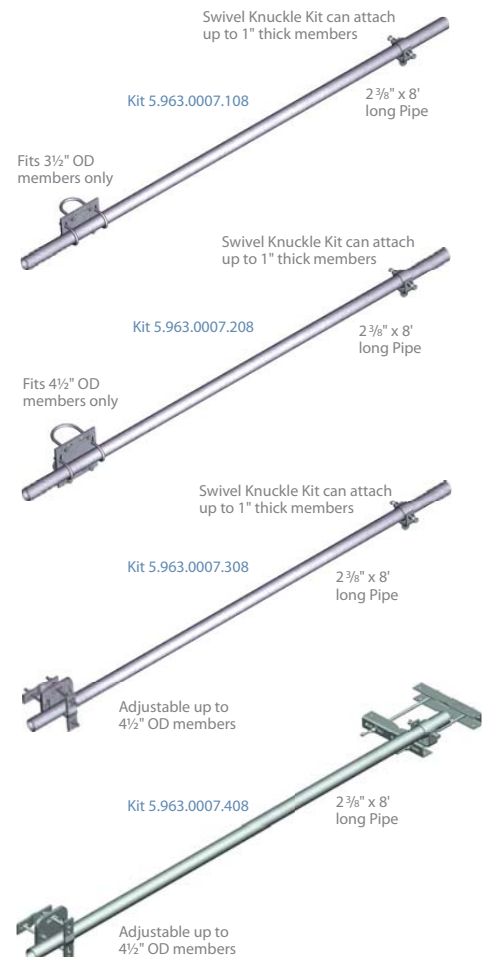
The Swivel Knuckle Tie-back Assemblies are similar to our standard tie-back connections, but has the capability of pivoting in virtually any direction at the swivel knuckle end.

This unique attachment comes with all necessary 1/2" hardware to stabilize a 2 3/8" OD pipe to a maximum 1" thick tower member. Also, we have kitted an assortment of standard 2 3/8" OD pipe lengths with certain specific crossover kits to meet almost any attachment scenario. All material is hot dip galvanized for maximum corrosion resistance.



Kit #	Description	Qty	List Price	Wt
Swivel Knuckle Tie-Back Assemblies (with 3 1/2" Fixed Crossover)				
5.963.0007.108	2 3/8" x 8' long pipe, comes with one Swivel Knuckle Kit, and one 3 1/2" Fixed Crossover Kit	Ea	\$186	44
5.963.0007.112	2 3/8" x 12' long pipe, comes with one Swivel Knuckle Kit, and one 3 1/2" Fixed Crossover Kit	Ea	\$224	59
5.963.0007.115	2 3/8" x 15' long pipe, comes with one Swivel Knuckle Kit, and one 3 1/2" Fixed Crossover Kit	Ea	\$252	71
5.963.0007.120	2 3/8" x 20' long pipe, comes with one Swivel Knuckle Kit, and one 3 1/2" Fixed Crossover Kit	Ea	\$300	90
Swivel Knuckle Tie-Back Assemblies (with 4 1/2" Fixed Crossover)				
5.963.0007.208	2 3/8" x 8' long pipe, comes with one Swivel Knuckle Kit, and one 4 1/2" Fixed Crossover Kit	Ea	\$192	46
5.963.0007.212	2 3/8" x 12' long pipe, comes with one Swivel Knuckle Kit, and one 4 1/2" Fixed Crossover Kit	Ea	\$230	62
5.963.0007.215	2 3/8" x 15' long pipe, comes with one Swivel Knuckle Kit, and one 4 1/2" Fixed Crossover Kit	Ea	\$259	73
5.963.0007.220	2 3/8" x 20' long pipe, comes with one Swivel Knuckle Kit, and one 4 1/2" Fixed Crossover Kit	Ea	\$307	92
Swivel Knuckle Tie-Back Assemblies (with 4 1/2" Universal Crossover)				
5.963.0007.308	2 3/8" x 8' long pipe, comes with one Swivel Knuckle Kit, and one 4 1/2" Universal Crossover Kit	Ea	\$212	45
5.963.0007.312	2 3/8" x 12' long pipe, comes with one Swivel Knuckle Kit, and one 4 1/2" Universal Crossover Kit	Ea	\$250	60
5.963.0007.315	2 3/8" x 15' long pipe, comes with one Swivel Knuckle Kit, and one 4 1/2" Universal Crossover Kit	Ea	\$278	72
5.963.0007.320	2 3/8" x 20' long pipe, comes with one Swivel Knuckle Kit, and one 4 1/2" Universal Crossover Kit	Ea	\$326	91
Swivel Knuckle Tie-Back Assemblies (with 4 1/2" OD and 1 1/2" OD)				
5.963.0007.408	2 3/8" x 8' long pipe, comes with one Swivel Knuckle Leg Kit, and one 4 1/2" Universal Crossover Kit	Ea	\$274	56
5.963.0007.412	2 3/8" x 12' long pipe, comes with one Swivel Knuckle Leg Kit, and one 4 1/2" Universal Crossover Kit	Ea	\$312	71
5.963.0007.415	2 3/8" x 15' long pipe, comes with one Swivel Knuckle Leg Kit, and one 4 1/2" Universal Crossover Kit	Ea	\$341	82
5.963.0007.420	2 3/8" x 20' long pipe, comes with one Swivel Knuckle Leg Kit, and one 4 1/2" Universal Crossover Kit	Ea	\$389	102

Kit #	Description	Qty	List Price	Wt
Stabilizer Bracket				
4.927.0056.001	Stabilizer Bracket Leg Kit fits standard 2-3/8" OD Pipes and includes Large Backing Assembly	Ea	\$152	20



Antenna Mounts

Backing Assemblies

Backing Assemblies can be purchased separately and will fit almost any standoff or plate configuration. All material is hot dip galvanized.

SMALL BACKING 'A' ASSEMBLY

Our smallest option comes with one 2" x 8" slotted plate and two 1/2" x 6" (full thread) Grade 5 bolts. When combined with the right mate these parts can attach up to 4 1/2" OD rounds. The slots can fit plates that have holes centred between 3 3/8" to 6 1/8".

SMALL BACKING 'B' ASSEMBLY

This option is similar to the above kit but comes standard with two 1/2" x 8" long threaded rods. When combined with the right mate, these parts can attach up to 5 5/8" OD rounds. The slots can fit holes centred between 3 3/8" to 6 1/8".

MEDIUM BACKING 'B' ASSEMBLY

This option comes with two medium channels, two 1/2" x 12" threaded rods and two 1/2" x 1 1/2" bolts. This assembly can fit mating plates up to 3/4" thick and with holes set at 5" or 8" centres. This kit will fit round members up to 5 5/8" and 6" (60°) or 5" (90°) angles in size.

LARGE BACKING 'B' ASSEMBLY

This option comes with two large slotted channels, two 1/2" x 18" threaded rods, and two 1/2" x 1 1/2" bolts. This assembly can fit mating plates up to 3/4" thick and with holes ranging from 4 3/4" to 12" on centre. This kit will fit round members up to 11" OD and angles (60° or 90°) up to 8" in size.

UNIVERSAL MEDIUM BACKING ASSEMBLY

This assembly allows the vertical connection of two plates, even if they are not vertical to each other, and are most practical for tapered tower legs or when site information is limited. They have the same versatility of "B", but also include two 1/2" x 8" threaded rods that allow 4" maximum lateral panning capability.

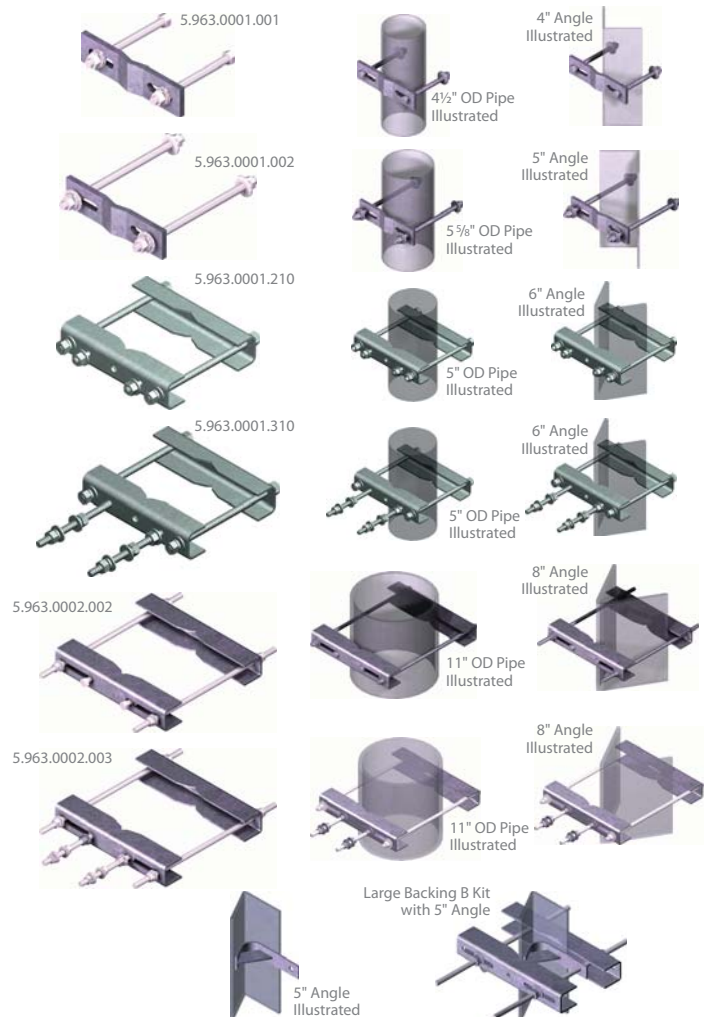
UNIVERSAL BACKING ASSEMBLY

This assembly allows the vertical connection of two plates, even if they are not vertical to each other, and are most practical for tapered tower legs or when site information is limited. They have the same versatility of "B", but also include two 1/2" x 8" threaded rods that allow 4" maximum lateral panning capability.

ANGLE INSERT

The angle insert adds the required strength for face-mount installation of large backing assemblies to smaller 3", 4", and 5" (60°) angles. Larger angles, such as 6" and 8" (60°) sizes, do not require this special add-on for face-mount applications.

Kit #	Description	Qty	List Price	Wt
Backing Assemblies				
5.963.0001.001	Small Backing 'A' Kit allows up to 4 1/2" OD pipes	Ea	\$19	2.5
5.963.0001.002	Small Backing 'B' Kit allows up to 5 5/8" OD pipes	Ea	\$23	3.1
5.963.0001.210	Medium Backing 'B' Kit allows up to 5 5/8" OD pipes or 6" (60°) angles	Ea	\$50	7.4
5.963.0001.310	Universal Medium Backing Kit allows up to 5 5/8" OD pipes or 6" (60°) angles (tapered)	Ea	\$73	8.9
5.963.0002.002	Large Backing 'B' Kit allows up to 11" OD pipes or 8" angles		\$58	11.0
5.963.0002.003	Universal Backing Kit allows up to 11" OD pipes or 8" angles (tapered)	Ea	\$79	13.0
Other Hardware				
5.963.1202.001	Angle Insert (adapts 3", 4", and 5" 60° angles for face mount applications)	Ea	\$8	1.1



Antenna Mounts

Large Pole Backing Kits

The Large Pole Backing Kits extends Trylon's offerings of large backing assemblies on page 14 to include larger pole diameters ranging from 11" to 18" in size.

Kits are available in standard 'A', 'B', and Universal kits like the current large backing assemblies, along with additional kits with one u-bolt for simple pipe additions.

LARGE POLE BACKING 'A' ASSEMBLY

This option comes with two 1/2" x 24" threaded rods and two extra large slotted channels. This assembly can join to other plates with 9/16" holes ranging from 2 7/8" to 5 5/8" on centre.

LARGE POLE BACKING 'B' ASSEMBLY

Similar to option 'A', but comes complete with two extra 1/2" x 1 1/2" bolts for mounting to standard Trylon mounts. Otherwise, the kit has the same capability as kit 'A' but limited to 3/4" thick plates.

UNIVERSAL POLE BACKING ASSEMBLY

This assembly allows the vertical connection of two plates, even if they are not vertical to each other, and are most practical for tapered tower legs or when site information is limited. The package comes standard with two extra large slotted channels, and two 1/2" x 24" and two 1/2" x 8" threaded rods. This assembly can fit mating plates up to 3/4" thick and with holes ranging from 2 3/8" to 5 3/8" on centre. This kit will fit round members from 11" to 18", and has up to 4" lateral panning capability.

LARGE POLE KIT WITH U-BOLT

This kit is ideal for mounting a standard antenna pipe (2 3/8", 2 7/8", 3 1/2", or 4 1/2") to a large pole ranging from 11" to 18" in diameter. The kit comes with two 1/2" x 24" threaded rods, two extra large slotted channels, and one u-bolt.

Kit includes two 1/2" x 24" rods, two 1/2" x 1 1/2" bolts and two channels



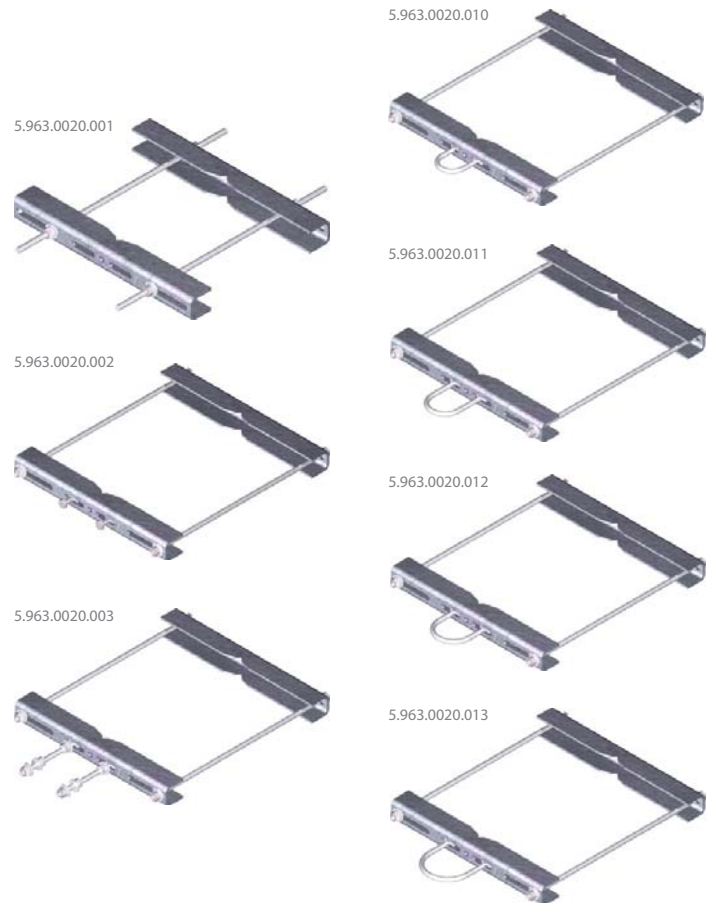
Kit 5.963.0020.002 Illustrated with 18" pipe

Quick Guide

Size	7 Variations	Mounts to	11" to 18" OD members
Design	Extra large backing kits	Material	Hot dip galvanized steel
Feature	Versatility of attachments	Order Separately	Pipe or Standoffs

Kit #	Description	Qty	List Price	Wt
Large Pole Backing Assemblies				
5.963.0020.001	Large Pole Backing 'A' Kit allows 11" to 18" pole connection	Ea	\$99	21
5.963.0020.002	Large Pole Backing 'B' Kit allows 11" to 18" pole connection	Ea	\$104	21
5.963.0020.003	Universal Pole Backing Kit allows 11"-18" tapered pole connection	Ea	\$128	23
Large Pole Backing Assemblies with U-bolt				
5.963.0020.010	Large Pole Kit with 2 3/8" u-bolt	Ea	\$108	22
5.963.0020.011	Large Pole Kit with 2 7/8" u-bolt	Ea	\$109	22
5.963.0020.012	Large Pole Kit with 3 1/2" u-bolt	Ea	\$110	22
5.963.0020.013	Large Pole Kit with 4 1/2" u-bolt	Ea	\$110	22

Note: U-Bolt size denotes actual pipe OD that will fit inside. Therefore a 2 3/8" u-bolt will fit a 2 3/8" OD pipe.



Antenna Mounts

Single Arm Standoffs

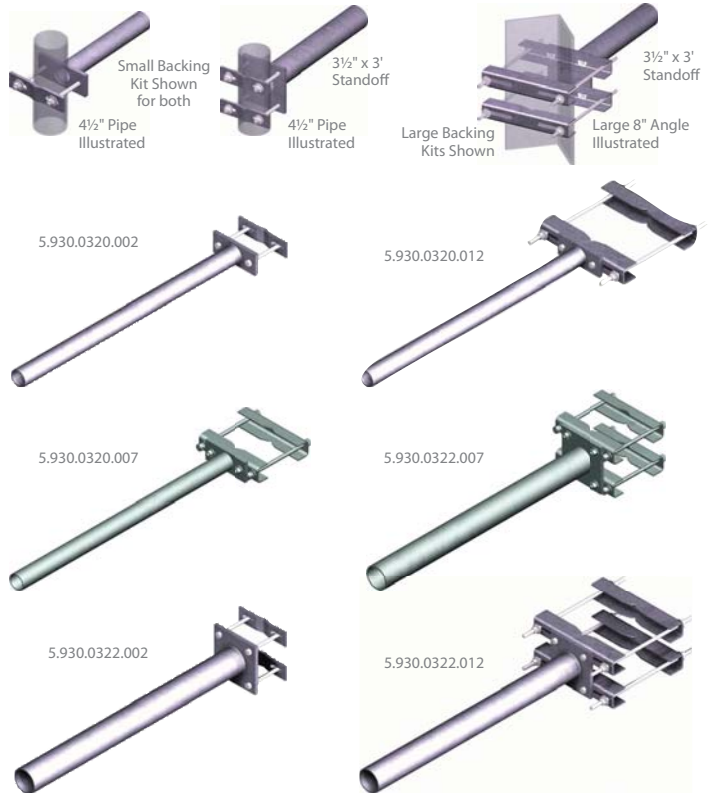
Single Arm Standoffs are the perfect solution for tower offsets. As a stand-alone, they provide an offset for mounting antenna pipes. As a group of two or four, they provide a robust support system for multiple antennas or face mounted sector frames. Since they are independent of each other, vertical or tapered legs are easily accommodated. With the correct backing kits, they can attach to round tower legs up to 11" OD in size, or angle legs up to 8" in size (60° or 90°). Four options are available; the smaller 2³/₈" pipe with 2' or 3' long offsets, or the larger 3¹/₂" pipe with 2' or 3' long offsets. The application and site specific loading will govern which standoff is required.

All material is hot dip galvanized for maximum corrosion protection.

Quick Guide			
Size	4 variations	Mounts to	Up to 11" OD rounds or 8" angles
Design	Welded Arms	Material	Hot dip galvanized steel
Feature	Versatile mounting	Order Separately	Wireless Frames or Pipe Mounts

Kit #	Description	Qty	List Price	Wt
2³/₈" x 3' Single Arm Standoffs				
5.930.0320.001	SAS300L: 2 ³ / ₈ " x 3' Standoff No Mounting Hardware	Ea	\$54	14
5.930.0320.002	SAS300L: 2 ³ / ₈ " x 3' Standoff With Small Backing Kit	Ea	\$75	17
5.930.0320.007	SAS300L: 2 ³ / ₈ " x 3' Standoff With Medium Backing Kit	Ea	\$106	22
5.930.0320.012	SAS300L: 2 ³ / ₈ " x 3' Standoff With Large Backing Kit	Ea	\$120	25
2³/₈" x 2' Single Arm Standoffs				
5.930.0321.001	SAS200L: 2 ³ / ₈ " x 2' Standoff No Mounting Hardware	Ea	\$45	10
5.930.0321.002	SAS200L: 2 ³ / ₈ " x 2' Standoff With Small Backing Kit	Ea	\$66	13
5.930.0321.007	SAS200L: 2 ³ / ₈ " x 2' Standoff With Medium Backing Kit	Ea	\$98	18
5.930.0321.012	SAS200L: 2 ³ / ₈ " x 2' Standoff With Large Backing Kit	Ea	\$111	21

- Notes: 1. Small Backing Kits fit up to 4¹/₂" OD rounds.
 2. Medium Backing Kits fit up to 5⁵/₈" OD rounds and 6" (60°) angles or 5" (90°) angles.
 3. Large Backing Kits fit up to 11" OD rounds and 8" angles.



Kit #	Description	Qty	List Price	Wt
3¹/₂" x 3' Single Arm Standoffs				
5.930.0322.001	SAS300M: 3 ¹ / ₂ " x 3' Standoff No Mounting Hardware	Ea	\$104	30
5.930.0322.002	SAS300M: 3 ¹ / ₂ " x 3' Standoff With Small Backing Kits	Ea	\$148	35
5.930.0322.007	SAS300M: 3 ¹ / ₂ " x 3' Standoff With Medium Backing Kits	Ea	\$213	45
5.930.0322.012	SAS300M: 3 ¹ / ₂ " x 3' Standoff With Large Backing Kits	Ea	\$242	52
3¹/₂" x 2' Single Arm Standoffs				
5.930.0323.001	SAS200M: 3 ¹ / ₂ " x 2' Standoff No Mounting Hardware	Ea	\$85	22
5.930.0323.002	SAS200M: 3 ¹ / ₂ " x 2' Standoff With Small Backing Kits	Ea	\$129	27
5.930.0323.007	SAS200M: 3 ¹ / ₂ " x 2' Standoff With Medium Backing Kits	Ea	\$194	37
5.930.0323.012	SAS200M: 3 ¹ / ₂ " x 2' Standoff With Large Backing Kits	Ea	\$222	44

- Notes: 1. Small Backing Kits fit up to 4¹/₂" OD rounds.
 2. Medium Backing Kits fit up to 5⁵/₈" OD rounds and 6" (60°) angles or 5" (90°) angles.
 3. Large Backing Kits fit up to 11" OD rounds and 8" angles.

Trylon 21 South Field Drive, Elmira, ON N3B 0A6

P: 519.669.5421 F: 519.669.8912 E: info@trylon.com W: www.trylon.com

Antenna Mounts

Wireless Arms

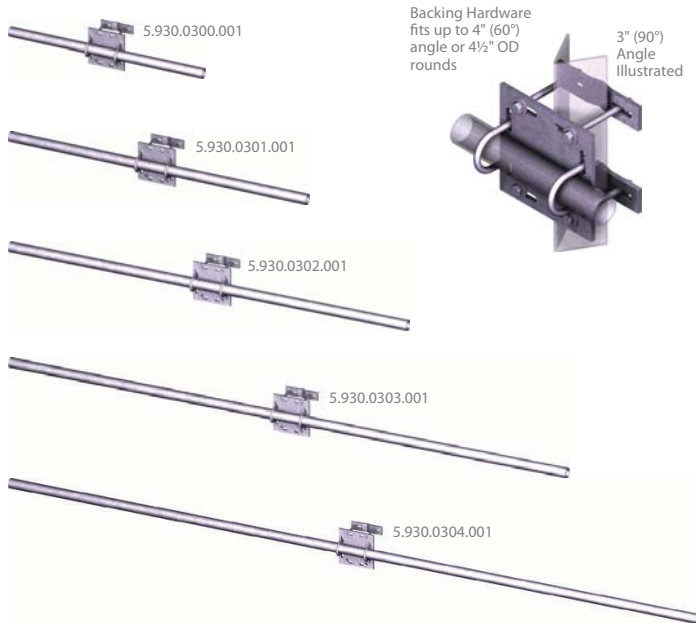
Wireless Arms are a quick solution to installing small antennas to a tower structure. These single arm supports are made from rugged 2 3/8" OD structural rails and are offered in five standard widths. With additional pipe mount kits and tie-back kits, they offer tremendous versatility and are the basic component to building larger wireless frames. Standard with these assemblies is a backing kit capable of attaching to vertical or tapered tower legs up to 4" (60°) angles or 4 1/2" OD round members.

Although not included in these kits, tie-back assemblies are available and are commonly used to stabilize antennas and recommended for large diversities, heavy loading or high wind situations. Please see page 11 for a full selection of available tie-

backs.

All material is hot dip galvanized for corrosion resistance in any environmental condition.

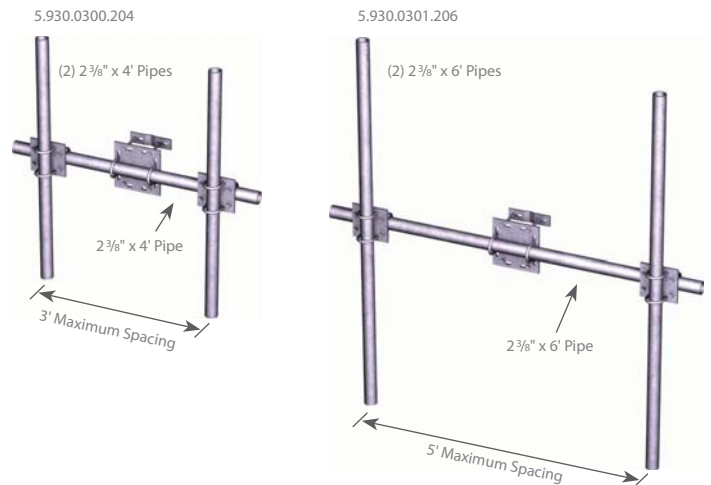
(Note: As an example, a 5' Wireless Arm with two 1' x 5' panels at maximum diversity, can achieve wind pressures of 800Pa. Call us to see which is best suited for your application.)



Kit #	Description	Qty	List Price	Wt
Wireless Arms				
5.930.0300.001	WA3 - 3' Wireless Arm	Ea	\$133	30
5.930.0301.001	WA5 - 5' Wireless Arm	Ea	\$152	38
5.930.0302.001	WA7 - 7' Wireless Arm	Ea	\$172	46
5.930.0303.001	WA11 - 11' Wireless Arm	Ea	\$209	61
5.930.0304.001	WA14 - 14' Wireless Arm	Ea	\$238	73

Notes: 1. Standard with each above assembly are backing kits that fit up to 4 1/2" OD rounds and 4" (60°) angles.
 2. For nomenclature, a WA3 stands for maximum diversity or 3', whereas the actual pipe is 1' longer (4' overall length).

Quick Guide		
Size	5 Variations	Mounts to Up to 4" (60°) angles or 4 1/2" OD rounds
Design	2 3/8" Pipes	Material Hot dip galvanized steel
Feature	Versatile mount	Order Separately Tie-Backs, page 11 Longer Pipes, page 93



Kit #	Description	Qty	List Price	Wt
Wireless Arms with Two Pipes				
5.930.0300.204	WA3 with two 2 3/8" x 4' pipes	Ea	\$330	77
5.930.0301.204	WA5 with two 2 3/8" x 4' pipes	Ea	\$350	85
5.930.0301.206	WA5 with two 2 3/8" x 6' pipes	Ea	\$389	100

Notes: 1. Standard with each above assembly are backing kits that fit up to 4 1/2" OD rounds and 4" (60°) angles.
 2. For nomenclature, a WA3 stands for maximum diversity or 3', whereas the actual pipe is 1' longer (4' overall length).

Antenna Mounts

Wireless Frames

Wireless Frames are the ideal solution for mounting sector antennas in a wireless system. The antenna pipes mount to the frame with u-bolts and can be positioned anywhere along the frame to achieve specific antenna separation.

The Wireless Frames come with standard backing hardware to mount directly to vertical tower legs up to 4½" OD round in size, or up to 4" (60°) angles. When the tower leg is sloped or an offset is necessary from the tower, a standoff (purchased separately on pages 4 to 7) can be used to compensate the taper and provide a vertical mounting surface.

Almost an unlimited array of diversities and antenna pipe mounts are available within our current kits. But if your requirements are outside one of our standard pre-packaged kits, start from scratch and build the system using the Wireless Arms on page 17 in conjunction with pipe and mounting hardware on page 90.

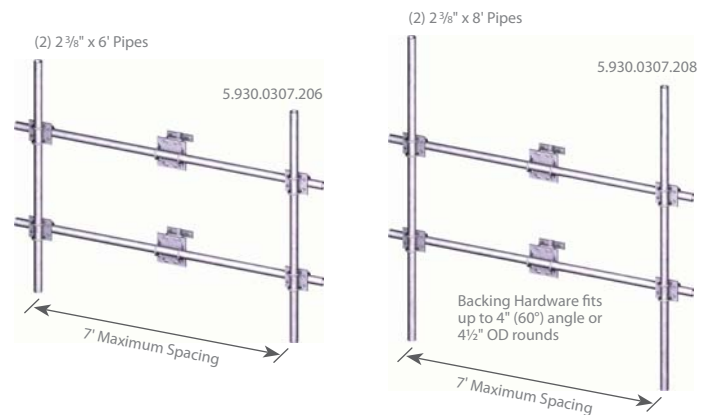
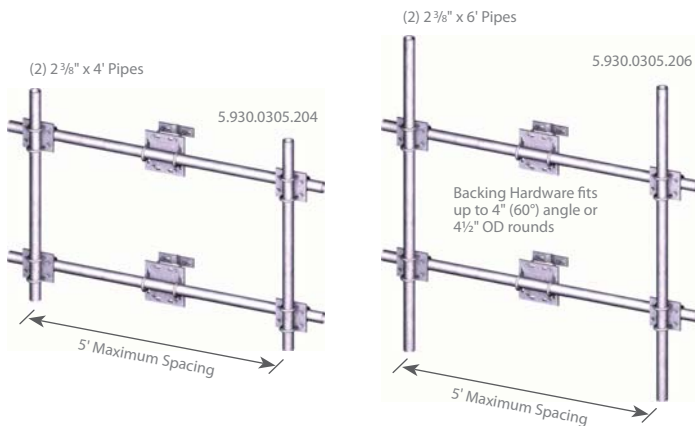
Tie-backs are not included in these assemblies, but are available and commonly used to stabilize antennas in heavy loading or high wind situations. Please see page 11 to 13 for a full selection of available tie-backs.

All material is hot dip galvanized to weather the elements.

(Note: As an example, a 7' Wireless Frame with two 1' x 8' panel antennas at maximum separation can achieve wind pressures up to 800Pa, with less than 1° deflection. Call us to see which is best suited for your application.)

Quick Guide

Size	4 different widths (5', 7', 11', and 14')	Mounts to	Up to 4" (60°) angles or 4½" OD rounds
Design	Vertical Mount with dual 2¾" Pipes	Material	Hot dip galvanized steel
Feature	Versatile mount	Order Separately	Tie-Backs, pages 11-13 Standoffs, pages 4-7



Kit #	Description	Qty	List Price	Wt
5' Wireless Frames with Two Pipes				
5.930.0305.204	WF5 - 5' Wireless Frame with two 2¾" x 4' pipe assemblies	Ea	\$682	138
5.930.0305.206	WF5 - 5' Wireless Frame with two 2¾" x 6' pipe assemblies	Ea	\$725	153
5.930.0305.208	WF5 - 5' Wireless Frame with two 2¾" x 8' pipe assemblies	Ea	\$769	169
5.930.0305.212	WF5 - 5' Wireless Frame with two 2¾" x 12" pipe assemblies	Ea	\$853	200

Kit #	Description	Qty	List Price	Wt
7' Wireless Frames with Two Pipes				
5.930.0307.204	WF7 - 7' Wireless Frame with two 2¾" x 4' pipe assemblies	Ea	\$725	153
5.930.0307.206	WF7 - 7' Wireless Frame with two 2¾" x 6' pipe assemblies	Ea	\$769	169
5.930.0307.208	WF7 - 7' Wireless Frame with two 2¾" x 8' pipe assemblies	Ea	\$812	184
5.930.0307.212	WF7 - 7' Wireless Frame with two 2¾" x 12" pipe assemblies	Ea	\$896	215

Notes: 1. Standard with each above assembly are backing kits that fit up to 4½" OD rounds and 4" (60°) angles.
2. For nomenclature, a WF5 stands for maximum diversity or 5', whereas the actual pipe is 1' longer (6' overall length).

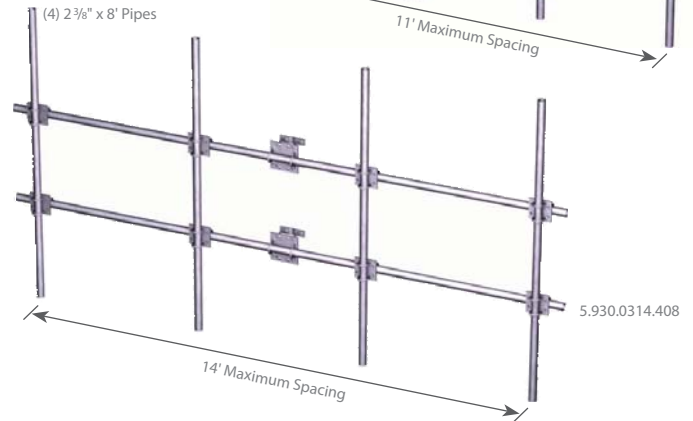
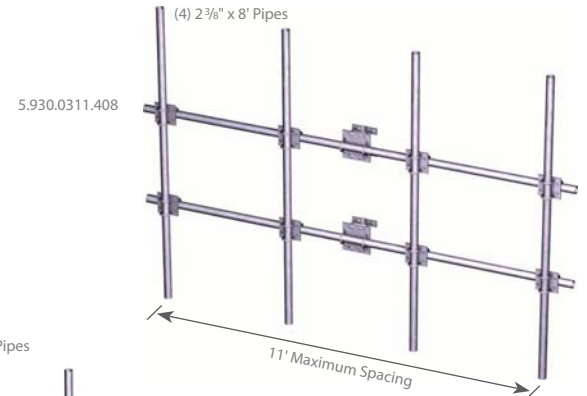
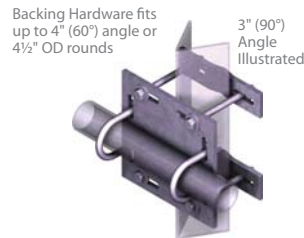
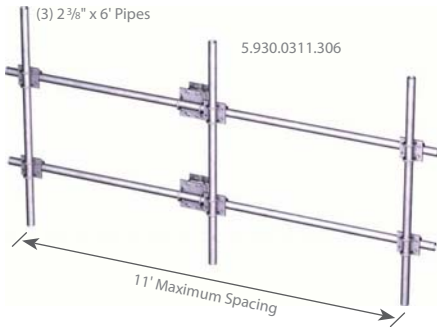
Notes: 1. Standard with each above assembly are backing kits that fit up to 4½" OD rounds and 4" (60°) angles.
2. For nomenclature, a WF7 stands for maximum diversity or 7', whereas the actual pipe is 1' longer (8' overall length).

Trylon 21 South Field Drive, Elmira, ON N3B 0A6

P: 519.669.5421 F: 519.669.8912 E: info@trylon.com W: www.trylon.com

Antenna Mounts

Wireless Frames continued



Kit #	Description	Qty	List Price	Wt
11' Wireless Frames with Two Pipes				
5.930.0311.204	WF11 - 11' Wireless Frame with two 2 ³ / ₈ " x 4' pipe assemblies	Ea	\$809	184
5.930.0311.206	WF11 - 11' Wireless Frame with two 2 ³ / ₈ " x 6' pipe assemblies	Ea	\$853	200
5.930.0311.208	WF11 - 11' Wireless Frame with two 2 ³ / ₈ " x 8' pipe assemblies	Ea	\$896	215
5.930.0311.212	WF11 - 11' Wireless Frame with two 2 ³ / ₈ " x 12" pipe assemblies	Ea	\$980	246

Kit #	Description	Qty	List Price	Wt
11' Wireless Frames with Three Pipes				
5.930.0311.304	WF11 - 11' Wireless Frame with three 2 ³ / ₈ " x 4' pipe assemblies	Ea	\$980	215
5.930.0311.306	WF11 - 11' Wireless Frame with three 2 ³ / ₈ " x 6' pipe assemblies	Ea	\$1045	238
5.930.0311.308	WF11 - 11' Wireless Frame with three 2 ³ / ₈ " x 8' pipe assemblies	Ea	\$1111	261
5.930.0311.312	WF11 - 11' Wireless Frame with three 2 ³ / ₈ " x 12" pipe assemblies	Ea	\$1237	307

Kit #	Description	Qty	List Price	Wt
11' Wireless Frames with Four Pipes				
5.930.0311.404	WF11 - 11' Wireless Frame with four 2 ³ / ₈ " x 4' pipe assemblies	Ea	\$1151	246
5.930.0311.406	WF11 - 11' Wireless Frame with four 2 ³ / ₈ " x 6' pipe assemblies	Ea	\$1238	277
5.930.0311.408	WF11 - 11' Wireless Frame with four 2 ³ / ₈ " x 8' pipe assemblies	Ea	\$1325	308
5.930.0311.412	WF11 - 11' Wireless Frame with four 2 ³ / ₈ " x 12" pipe assemblies	Ea	\$1621	369

Kit #	Description	Qty	List Price	Wt
14' Wireless Frames with Three Pipes				
5.930.0314.304	WF14 - 14' Wireless Frame with three 2 ³ / ₈ " x 4' pipe assemblies	Ea	\$1044	238
5.930.0314.306	WF14 - 14' Wireless Frame with three 2 ³ / ₈ " x 6' pipe assemblies	Ea	\$1109	261
5.930.0314.308	WF14 - 14' Wireless Frame with three 2 ³ / ₈ " x 8' pipe assemblies	Ea	\$1175	284
5.930.0314.312	WF14 - 14' Wireless Frame with three 2 ³ / ₈ " x 12" pipe assemblies	Ea	\$1301	330

Kit #	Description	Qty	List Price	Wt
14' Wireless Frames with Four Pipes				
5.930.0314.404	WF14 - 14' Wireless Frame with four 2 ³ / ₈ " x 4' pipe assemblies	Ea	\$1215	269
5.930.0314.406	WF14 - 14' Wireless Frame with four 2 ³ / ₈ " x 6' pipe assemblies	Ea	\$1302	300
5.930.0314.408	WF14 - 14' Wireless Frame with four 2 ³ / ₈ " x 8' pipe assemblies	Ea	\$1389	331
5.930.0314.412	WF14 - 14' Wireless Frame with four 2 ³ / ₈ " x 12" pipe assemblies	Ea	\$1557	392

Notes: 1. Standard with each above assembly are backing kits that fit up to 4¹/₂" OD rounds and 4" (60°) angles.
 2. For nomenclature, a WF11 stands for maximum diversity or 11', whereas the actual pipe is 1' longer (12' overall length).

Notes: 1. Standard with each above assembly are backing kits that fit up to 4¹/₂" OD rounds and 4" (60°) angles.
 2. For nomenclature, a WF14 stands for maximum diversity or 14', whereas the actual pipe is 1' longer (15' overall length).

Antenna Mounts

Face Mounted Wireless Frames

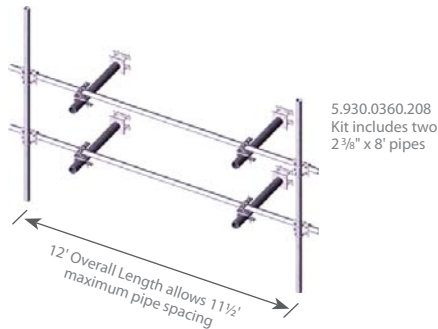
Face Mounted Wireless Frames permit an entire sector of antennas to be mounted up to 1½' offset to a tower face. The bolt together design has tremendous versatility and is offered in two standard widths, 12' and 15'.

The frames each come complete with four 2' Single Arm Standoffs (on page 16) and Universal Crossover Assemblies (on page 8). Together, these allow flexibility in both the leg attachment angle and also the frame's angle along the tower face. The amount of adjustability depends on the tower face

width, the tower leg attachment angle and other unknown factors such as existing lines, but can be upwards of 30° under ideal circumstances.

The independent standoffs allow both vertical and tapered tower face installations. Depending on the backing hardware selected, they can attach up to 11" OD round legs or 8" angle legs. For installing to 60° angles (5" and smaller).

All material is hot dip galvanized for corrosion protection.



Kit #	Description	Qty	List Price	Wt
12' Face Mounted Wireless Frames with Two Pipes				
5.930.0360.208	FWF12MS with two 2¾" x 8' pipes and Small Backing Kits	Ea	\$1474	329
5.930.0360.210	FWF12MS with two 2¾" x 10' pipes and Small Backing Kits	Ea	\$1511	344
5.930.0360.212	FWF12MS with two 2¾" x 12' pipes and Small Backing Kits	Ea	\$1550	360
12' Face Mounted Wireless Frames with Three Pipes				
5.930.0361.308	FWF12MS with three 2¾" x 8' pipes and Small Backing Kits	Ea	\$1667	376
5.930.0361.310	FWF12MS with three 2¾" x 10' pipes and Small Backing Kits	Ea	\$1721	399
5.930.0361.312	FWF12MS with three 2¾" x 12' pipes and Small Backing Kits	Ea	\$1780	422
12' Face Mounted Wireless Frames with Four Pipes				
5.930.0362.408	FWF12MS with four 2¾" x 8' pipes and Small Backing Kits	Ea	\$1859	422
5.930.0362.410	FWF12MS with four 2¾" x 10' pipes and Small Backing Kits	Ea	\$1932	453
5.930.0362.412	FWF12MS with four 2¾" x 12' pipes and Small Backing Kits	Ea	\$2010	484

Note: 1. Small Backing Kits fit up to 4½" OD rounds.
2. All Kits come with our standard 3½" x 2' single arm standoffs.

Kit #	Description	Qty	List Price	Wt
15' Face Mounted Wireless Frames with Two Pipes				
5.930.0370.208	FWF15MS with two 2¾" x 8' pipes and Small Backing Kits	Ea	\$1531	352
5.930.0370.210	FWF15MS with two 2¾" x 10' pipes and Small Backing Kits	Ea	\$1568	368
5.930.0370.212	FWF15MS with two 2¾" x 12' pipes and Small Backing Kits	Ea	\$1607	383
15' Face Mounted Wireless Frames with Three Pipes				
5.930.0371.308	FWF15MS with three 2¾" x 8' pipes and Small Backing Kits	Ea	\$1724	399
5.930.0371.310	FWF15MS with three 2¾" x 10' pipes and Small Backing Kits	Ea	\$1778	422
5.930.0371.312	FWF15MS with three 2¾" x 12' pipes and Small Backing Kits	Ea	\$1837	445
15' Face Mounted Wireless Frames with Four Pipes				
5.930.0372.408	FWF15MS with four 2¾" x 8' pipes and Small Backing Kits	Ea	\$1916	445
5.930.0372.410	FWF15MS with four 2¾" x 10' pipes and Small Backing Kits	Ea	\$1989	476
5.930.0372.412	FWF15MS with four 2¾" x 12' pipes and Small Backing Kits	Ea	\$2067	507

Note: 1. Small Backing Kits fit up to 4½" OD rounds.
2. All Kits come with our standard 3½" x 2' single arm standoffs.

Trylon 21 South Field Drive, Elmira, ON N3B 0A6

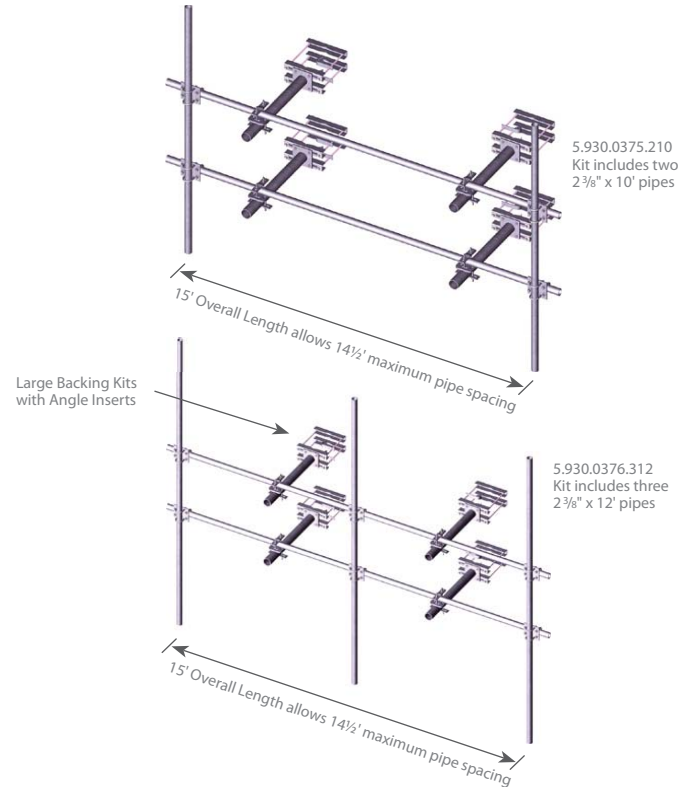
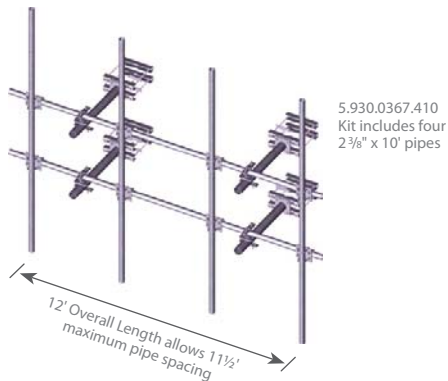
P: 519.669.5421 F: 519.669.8912 E: info@trylon.com W: www.trylon.com

Antenna Mounts

Face Mounted Wireless Frames continued

Quick Guide

Size	2 different widths	Mounts to	Up to 11" OD rounds or 8" angles
Design	Face mounted with 2' standoffs	Material	Hot dip galvanized steel
Feature	Versatile 2' off-set attachment	Order Separately	Tie-Backs, pages 11-13



Kit #	Description	Qty	List Price	Wt
12' Face Mounted Wireless Frames with Two Pipes				
5.930.0365.208	FWF12ML with two 2 3/8" x 8' pipes and Large Backing Kits	Ea	\$1774	406
5.930.0365.210	FWF12ML with two 2 3/8" x 10' pipes and Large Backing Kits	Ea	\$1807	421
5.930.0365.212	FWF12ML with two 2 3/8" x 12' pipes and Large Backing Kits	Ea	\$1843	436
12' Face Mounted Wireless Frames with Three Pipes				
5.930.0366.308	FWF12ML with three 2 3/8" x 8' pipes and Large Backing Kits	Ea	\$1951	452
5.930.0366.310	FWF12ML with three 2 3/8" x 10' pipes and Large Backing Kits	Ea	\$2002	475
5.930.0366.312	FWF12ML with three 2 3/8" x 12' pipes and Large Backing Kits	Ea	\$2056	498
12' Face Mounted Wireless Frames with Four Pipes				
5.930.0367.408	FWF12ML with four 2 3/8" x 8' pipes and Large Backing Kits	Ea	\$2129	499
5.930.0367.410	FWF12ML with four 2 3/8" x 10' pipes and Large Backing Kits	Ea	\$2196	529
5.930.0367.412	FWF12ML with four 2 3/8" x 12' pipes and Large Backing Kits	Ea	\$2268	560

Note: 1. Large Backing Kits fit up to 11" OD rounds and 8" (60°) angles.
 2. All Kits come with our standard 2 3/8" x 2' single arm standoffs.
 3. All Kits come complete with angle inserts to prevent smaller 60° angles from pinching during face mount installation.

Kit #	Description	Qty	List Price	Wt
15' Face Mounted Wireless Frames with Two Pipes				
5.930.0375.208	FWF15ML with two 2 3/8" x 8' pipes and Large Backing Kits	Ea	\$1826	429
5.930.0375.210	FWF15ML with two 2 3/8" x 10' pipes and Large Backing Kits	Ea	\$1860	444
5.930.0375.212	FWF15ML with two 2 3/8" x 12' pipes and Large Backing Kits	Ea	\$1896	459
15' Face Mounted Wireless Frames with Three Pipes				
5.930.0376.308	FWF15ML with three 2 3/8" x 8' pipes and Large Backing Kits	Ea	\$2004	475
5.930.0376.310	FWF15ML with three 2 3/8" x 10' pipes and Large Backing Kits	Ea	\$2054	498
5.930.0376.312	FWF15ML with three 2 3/8" x 12' pipes and Large Backing Kits	Ea	\$2108	521
15' Face Mounted Wireless Frames with Four Pipes				
5.930.0377.408	FWF15ML with four 2 3/8" x 8' pipes and Large Backing Kits	Ea	\$2182	522
5.930.0377.410	FWF15ML with four 2 3/8" x 10' pipes and Large Backing Kits	Ea	\$2249	552
5.930.0377.412	FWF15ML with four 2 3/8" x 12' pipes and Large Backing Kits	Ea	\$2321	583

Note: 1. Large Backing Kits fit up to 11" OD rounds and 8" (60°) angles.
 2. All Kits come with our standard 2 3/8" x 2' single arm standoffs.
 3. All Kits come complete with angle inserts to prevent smaller 60° angles from pinching during face mount installation.

Antenna Mounts

Face Mounted Microwave Frames

Face Mounted Microwave Frames are ideal for installing microwave dishes to a tower face, or when an apex mount (on pages 6 and 7) cannot achieve the proper dish azimuth.

Its versatile pipe-on-pipe design allows easy installation to both vertical and tapered (up to 10°) tower faces. Depending on the backing assembly selected, it can attach up to 11" OD round legs or 8" (60°) angle tower legs. For smaller 60° angle legs (5" and less), our special angle insert will protect the leg from pinching during installation.

To make ordering easier, we have pre-kitted four standard face width ranges (2'-6', 6'-10', 10'-14', and 14'-18'). They are also grouped in two or three level frames to accommodate various dish sizes and site wind conditions.

All material is hot dip galvanized for corrosion protection.



Quick Guide			
Size	2 or 3 levels, in 4 standard face widths	Mounts to	Up to 11" OD rounds or 8" (60°) angles
Design	Face mounted with 2' standoffs	Material	Hot dip galvanized steel
Feature	4 1/2" OD x 6' or 10' mounting pipe	Order Separately	Stabilizers or Stabilizer Clips

Kit #	Description	Qty	List Price	Wt
2 Level Frame with Small Backing Kits				
5.927.0110.001	2'-6' Face Mount Kit c/w 4 1/2" OD x 6' mounting pipe	Ea	\$1440	348
5.927.0111.001	6'-10' Face Mount Kit c/w 4 1/2" OD x 6' mounting pipe	Ea	\$1646	428
5.927.0112.001	10'-14' Face Mount Kit c/w 4 1/2" OD x 6' mounting pipe	Ea	\$1767	476
5.927.0113.001	14'-18' Face Mount Kit c/w 4 1/2" OD x 6' mounting pipe	Ea	\$1972	555
2 Level Frame with Large Backing Kits				
5.927.0110.101	2'-6' Face Mount Kit c/w 4 1/2" OD x 6' mounting pipe	Ea	\$1905	425
5.927.0111.101	6'-10' Face Mount Kit c/w 4 1/2" OD x 6' mounting pipe	Ea	\$2110	505
5.927.0112.101	10'-14' Face Mount Kit c/w 4 1/2" OD x 6' mounting pipe	Ea	\$2232	552
5.927.0113.101	14'-18' Face Mount Kit c/w 4 1/2" OD x 6' mounting pipe	Ea	\$2437	632

Notes: 1. Small Backing Kits fit up to 4 1/2" OD round members.
2. Large Backing Kits fit up to 11" OD rounds and 8" (60°) angles.

Kit #	Description	Qty	List Price	Wt
3 Level Frame with Small Backing Kits				
5.927.0120.001	2'-6' Face Mount Kit c/w 4 1/2" OD x 10' mounting pipe	Ea	\$2184	534
5.927.0121.001	6'-10' Face Mount Kit c/w 4 1/2" OD x 10' mounting pipe	Ea	\$2492	653
5.927.0122.001	10'-14' Face Mount Kit c/w 4 1/2" OD x 10' mounting pipe	Ea	\$2674	725
5.927.0123.001	14'-18' Face Mount Kit c/w 4 1/2" OD x 10' mounting pipe	Ea	\$2982	844
3 Level Frame with Large Backing Kits				
5.927.0120.101	2'-6' Face Mount Kit c/w 4 1/2" OD x 10' mounting pipe	Ea	\$2881	649
5.927.0121.101	6'-10' Face Mount Kit c/w 4 1/2" OD x 10' mounting pipe	Ea	\$3189	768
5.927.0122.101	10'-14' Face Mount Kit c/w 4 1/2" OD x 10' mounting pipe	Ea	\$3371	840
5.927.0123.101	14'-18' Face Mount Kit c/w 4 1/2" OD x 10' mounting pipe	Ea	\$3679	959

Notes: 1. Small Backing Kits fit up to 4 1/2" OD round members.
2. Large Backing Kits fit up to 11" OD rounds and 8" (60°) angles.

Antenna Mounts

Face Mounted Microwave Frames continued

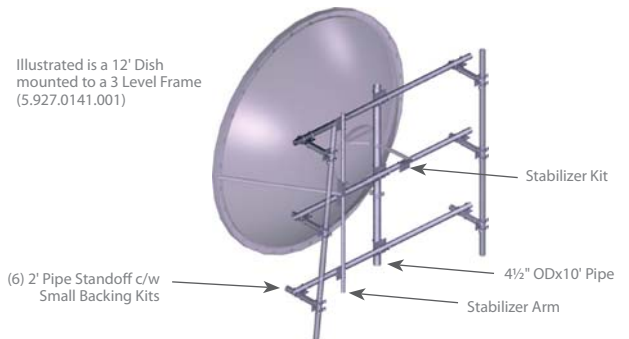
The two tables below are pre-assembled kits with standard stabilizers to meet industry microwave requirements. The 2 Level Frame options come complete with one side Stabilizer Arm Kit to fit most 4' to 6' dishes. The 3 Level Frame options are kitted with one side Stabilizer Arm Kit and one inner Stabilizer Kit to fit most 8' to 12' dishes.

All material is hot dip galvanized.

Kit #	Description	Qty	List Price	Wt
2 Level Frame with Small Backing Kits and Stabilizer Arm				
5.927.0130.001	2'-6' Face Mount Kit c/w 4½" OD x 6' mounting pipe	Ea	\$1743	397
5.927.0131.001	6'-10' Face Mount Kit c/w 4½" OD x 6' mounting pipe	Ea	\$1956	477
5.927.0132.001	10'-14' Face Mount Kit c/w 4½" OD x 6' mounting pipe	Ea	\$2082	524
5.927.0133.001	14'-18' Face Mount Kit c/w 4½" OD x 6' mounting pipe	Ea	\$2295	604
2 Level Frame with Large Backing Kits and Stabilizer Arm				
5.927.0130.101	2'-6' Face Mount Kit c/w 4½" OD x 6' mounting pipe	Ea	\$2225	474
5.927.0131.101	6'-10' Face Mount Kit c/w 4½" OD x 6' mounting pipe	Ea	\$2437	553
5.927.0132.101	10'-14' Face Mount Kit c/w 4½" OD x 6' mounting pipe	Ea	\$2563	601
5.927.0133.101	14'-18' Face Mount Kit c/w 4½" OD x 6' mounting pipe	Ea	\$2776	681

Kit #	Description	Qty	List Price	Wt
3 Level Frame with Small Backing Kits, Stabilizer Arm, and Clip				
5.927.0140.001	2'-6' Face Mount Kit c/w 4½" OD x 10' mounting pipe	Ea	\$2674	614
5.927.0141.001	6'-10' Face Mount Kit c/w 4½" OD x 10' mounting pipe	Ea	\$2993	734
5.927.0142.001	10'-14' Face Mount Kit c/w 4½" OD x 10' mounting pipe	Ea	\$3182	805
5.927.0143.001	14'-18' Face Mount Kit c/w 4½" OD x 10' mounting pipe	Ea	\$3501	925
3 Level Frame with Large Backing Kits, Stabilizer Arm, and Clip				
5.927.0140.101	2'-6' Face Mount Kit c/w 4½" OD x 10' mounting pipe	Ea	\$3396	729
5.927.0141.101	6'-10' Face Mount Kit c/w 4½" OD x 10' mounting pipe	Ea	\$3716	848
5.927.0142.101	10'-14' Face Mount Kit c/w 4½" OD x 10' mounting pipe	Ea	\$3905	920
5.927.0143.101	14'-18' Face Mount Kit c/w 4½" OD x 10' mounting pipe	Ea	\$4224	1040

- Notes: 1. Small Backing Kits fit up to 4½" OD round members.
2. Large Backing Kits fit up to 11" OD rounds and 8" (60°) angles.



Optional Face Mount Kits

STABILIZER KITS

Stabilizer Kits are used to attach microwave panning kits or tie backs to a tower structure. Three attachment options (2¾", 2⅞", 3½", and 4½" OD) are available to suit your specific needs.

STABILIZER ARM KITS

The pre-kitted Stabilizer Arm Kits come complete with attachment hardware to attach to our standard face mounted microwave frames, and are often added when more than one outside dish stabilizer is required.

PIPE MOUNT KITS

Optional pipe mount kits are available when requirements exceed the typical arrangement of one dish per face. All material is hot dip galvanized.



Kit #	Description	Qty	List Price	Wt
Stabilizer Kits				
5.927.0100.001	Stabilizer Kit, fits 2¾" OD pipes	Ea	\$49	6.8
5.927.0100.002	Stabilizer Kit, fits 2⅞" OD pipes	Ea	\$52	7.0
5.927.0100.003	Stabilizer Kit, fits 3½" OD pipes	Ea	\$53	7.0
5.927.0100.004	Stabilizer Kit, fits 4½" OD pipes	Ea	\$57	8.4
Stabilizer Arm Kits				
5.927.0101.206	2 Pt, fits 3½" OD pipes, for level 2	Ea	\$231	49
5.927.0101.310	3 Pt, fits 3½" OD pipes, for level 3	Ea	\$330	73
Pipe Mount Kits				
5.927.0105.206	2 Pt, 4½" OD x 6' Pipe Mount c/w u-bolts to fit 3½" OD pipes	Ea	\$321	92
5.927.0106.308	3 Pt, 4½" OD x 6' Pipe Mount c/w u-bolts to fit 3½" OD pipes	Ea	\$504	150

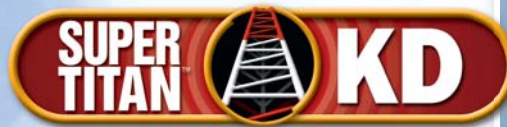
Note: The 2⅞" OD pipe can be exchanged for a 3" OD pipe.

A BIG FAMILY IS A GOOD THING

Trylon's family of kit towers is a **ONE SOURCE**,
total tower solution from light to heavy duty



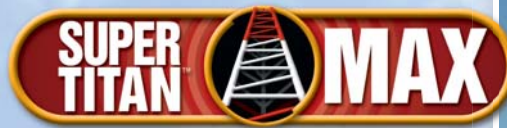
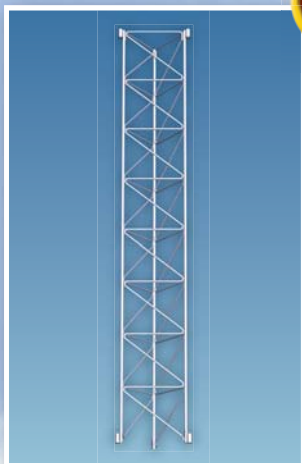
< Up to 96' tall



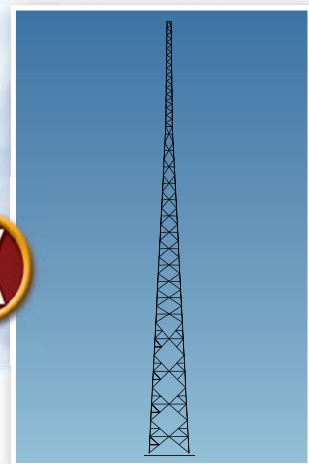
Up to 190' tall >



- < One section replaces 45/55/65
- < Guyed to 480'
- < Bracketed to 100'
- < Self-Support to 70'



Up to 251' tall >



ISO 9001:2000 Registered

www.trylon.com

Trylon 21 South Field Drive, Elmira, ON N3B 0A6
P: 519.669.5421 F: 519.669.8912 E: info@trylon.com W: www.trylon.com

Antenna Mounts

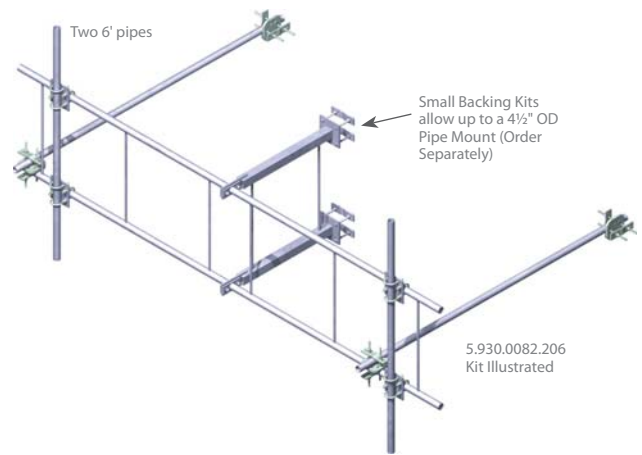
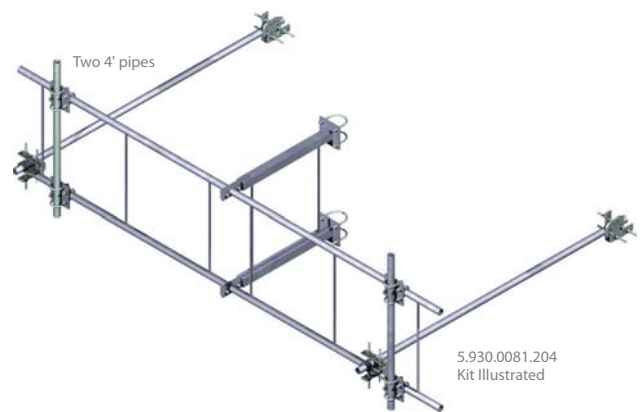
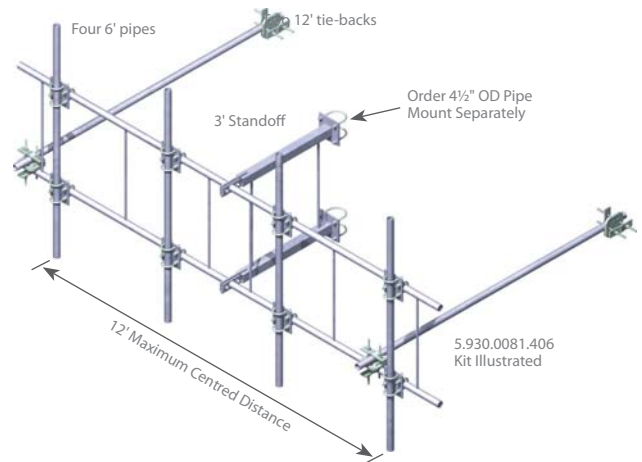
Lightweight T-Frames

Trylon's Lightweight T-Frames are made from robust welded frames ideal for sectorized applications using small antennas. It's 3' standoff bolts easily to the welded frames achieving an overall face width of 12½'.

For attachment, these kits come standard with either four u-bolts to fit a 4½" OD pipe mount or four small backing kits to fit up to 4½" OD pipe mounts. Note, the 4½" OD pipe mount is sold separately.

Two 12' long tie-back kits are included in every option, and can attach to members up to 3½" OD in size.

A variation of 1.90" OD pipe lengths and quantities are available in the below tables. All material is hot dip galvanized.



Quick Guide

Size	2½" face width	Mounts to	Up to 4½" OD pipe mounts
Design	Bolt-together weldments	Material	Hot dip galvanized steel
Feature	Lightweight design	Order Separately	Antenna pipes on page 90

Kit #	Description	Qty	List Price	Wt
Lightweight T-Frames with Four U-bolts				
5.930.0081.204	12' T-Frame c/w four U-bolts and two 1.90" OD x 4' pipe mounts	Ea	\$1372	293
5.930.0081.206	12' T-Frame c/w four U-bolts and two 1.90" OD x 6' pipe mounts	Ea	\$1400	304
5.930.0081.304	12' T-Frame c/w four U-bolts and three 1.90" OD x 4' pipe mounts	Ea	\$1516	320
5.930.0081.306	12' T-Frame c/w four U-bolts and three 1.90" OD x 6' pipe mounts	Ea	\$1559	337
5.930.0081.404	12' T-Frame c/w four U-bolts and four 1.90" OD x 4' pipe mounts	Ea	\$1660	347
5.930.0081.406	12' T-Frame c/w four U-bolts and four 1.90" OD x 6' pipe mounts	Ea	\$1717	370
Lightweight T-Frames with Four Small Backing Kits				
5.930.0082.204	12' T-Frame c/w four Small Backing Kits and two 1.90" OD x 4' pipe mounts	Ea	\$1414	298
5.930.0082.206	12' T-Frame c/w four Small Backing Kits and two 1.90" OD x 6' pipe mounts	Ea	\$1443	310
5.930.0082.304	12' T-Frame c/w four Small Backing Kits and three 1.90" OD x 4' pipe mounts	Ea	\$1559	325
5.930.0082.306	12' T-Frame c/w four Small Backing Kits and three 1.90" OD x 6' pipe mounts	Ea	\$1602	343
5.930.0082.404	12' T-Frame c/w four Small Backing Kits and four 1.90" OD x 4' pipe mounts	Ea	\$1703	353
5.930.0082.406	12' T-Frame c/w four Small Backing Kits and four 1.90" OD x 6' pipe mounts	Ea	\$1760	375

Antenna Mounts

T-Frame Sector Mounts

Trylon's versatile T-Frame Sector Mounts are offered in 12' and 15' overall widths. These T-Frames are also offered with 2³/₈" OD rails for your light duty needs, and 3¹/₂" OD rails for your heavier wind or larger loading requirements.

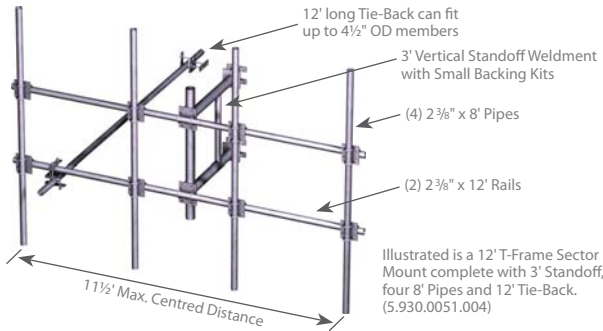
Sector diversity is achieved through the leg offset, by either rotating the mount about the tower leg, or by using the 3¹/₂" offset pipe. The T-Frame comes standard with a 3' offset, which ultimately gives the antennas just over a 3¹/₂" true structure offset (see illustration). Tapered standoffs are also available for structures with 1 in 20 (3°) slope for both offset sizes.

To accommodate various sized tower legs, standard small backing kits are offered for up to 4¹/₂" OD members, and large

backing kits for round members up to 11" OD, or 60° and 90° angle legs up to 8" in size.

A 12' long tie-back assembly is included to stabilize your antennas in high wind or ice condition. They can attach to members up to 4¹/₂" OD for small backing options and 11" OD for large backing options. If required, larger tie-backs can be ordered separately on page 11. All material is hot dip galvanized.

(Note: As an example, a 15' T-Frame with 2³/₈" OD can hold four 1'x8' panels at maximum diversity under 400 Pa wind pressures, whereas the 3¹/₂" OD rails can achieve wind pressures up to 800 Pa, both with less than 1° deflection. Call us to see which is best suited for your application.)



Quick Guide			
Size	12' or 15' Face Widths	Mounts to	Up to 11" OD Legs Tapered or Vertical
Design	Pipe Frame with 3' Welded Standoff	Material	Hot dip galvanized steel
Feature	Heavy duty design	Order Separately	Longer Tie-Backs than below, page 11

Kit #	Description	Qty	List Price	Wt
12' T-Frame Sector with 2³/₈" Rails				
5.930.0051.002	T-Frame with 3' Vertical Standoff	Ea	\$1539	381
5.930.0052.002	T-Frame with 3' Tapered Standoff		\$1542	382
	Includes two 2 ³ / ₈ " x 8' pipes, Small Backing Kits, and 12' long Tie-Back			
5.930.0051.003	T-Frame with 3' Vertical Standoff	Ea	\$1739	428
5.930.0052.003	T-Frame with 3' Tapered Standoff		\$1742	429
	Includes three 2 ³ / ₈ " x 8' pipes, Small Backing Kits, and 12' long Tie-Back			
5.930.0051.004	T-Frame with 3' Vertical Standoff	Ea	\$1939	474
5.930.0052.004	T-Frame with 3' Tapered Standoff		\$1941	475
	Includes four 2 ³ / ₈ " x 8' pipes, Small Backing Kits, and 12' long Tie-Back			
5.930.0051.012	T-Frame with 3' Vertical Standoff	Ea	\$1769	429
5.930.0052.012	T-Frame with 3' Tapered Standoff		\$1771	430
	Includes two 2 ³ / ₈ " x 8' pipes, Large Backing Kits, and 12' long Tie-Back			
5.930.0051.013	T-Frame with 3' Vertical Standoff	Ea	\$1968	476
5.930.0052.013	T-Frame with 3' Tapered Standoff		\$1971	477
	Includes three 2 ³ / ₈ " x 8' pipes, Large Backing Kits, and 12' long Tie-Back			
5.930.0051.014	T-Frame with 3' Vertical Standoff	Ea	\$2168	522
5.930.0052.014	T-Frame with 3' Tapered Standoff		\$2171	523
	Includes four 2 ³ / ₈ " x 8' pipes, Large Backing Kits, and 12' long Tie-Back			

Notes: 1. Small Backing Kits fit up to 4¹/₂" OD rounds.
2. Large Backing Kits fit up to 11" OD rounds and 8" angles.

Top number is always the Vertical Weldment / Bottom number is always the Tapered Weldment

Kit #	Description	Qty	List Price	Wt
12' T-Frame Sector with 3¹/₂" Rails				
5.930.0053.002	T-Frame with 3' Vertical Standoff	Ea	\$1831	486
5.930.0054.002	T-Frame with 3' Tapered Standoff		\$1833	487
	Includes two 2 ³ / ₈ " x 8' pipes, Small Backing Kits, and 12' long Tie-Back			
5.930.0053.003	T-Frame with 3' Vertical Standoff	Ea	\$2044	536
5.930.0054.003	T-Frame with 3' Tapered Standoff		\$2047	537
	Includes three 2 ³ / ₈ " x 8' pipes, Small Backing Kits, and 12' long Tie-Back			
5.930.0053.004	T-Frame with 3' Vertical Standoff	Ea	\$2257	585
5.930.0054.004	T-Frame with 3' Tapered Standoff		\$2260	586
	Includes four 2 ³ / ₈ " x 8' pipes, Small Backing Kits, and 12' long Tie-Back			
5.930.0053.012	T-Frame with 3' Vertical Standoff	Ea	\$2060	535
5.930.0054.012	T-Frame with 3' Tapered Standoff		\$2063	536
	Includes two 2 ³ / ₈ " x 8' pipes, Large Backing Kits, and 12' long Tie-Back			
5.930.0053.013	T-Frame with 3' Vertical Standoff	Ea	\$2273	584
5.930.0054.013	T-Frame with 3' Tapered Standoff		\$2276	585
	Includes three 2 ³ / ₈ " x 8' pipes, Large Backing Kits, and 12' long Tie-Back			
5.930.0053.014	T-Frame with 3' Vertical Standoff	Ea	\$2487	633
5.930.0054.014	T-Frame with 3' Tapered Standoff		\$2489	634
	Includes four 2 ³ / ₈ " x 8' pipes, Large Backing Kits, and 12' long Tie-Back			

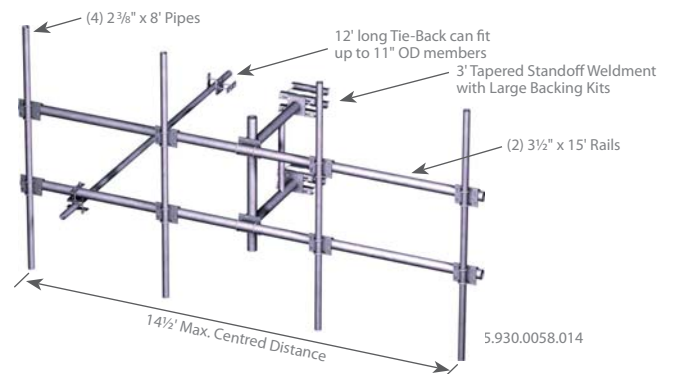
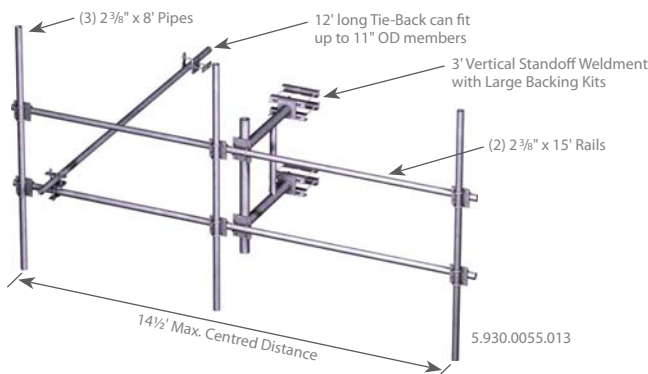
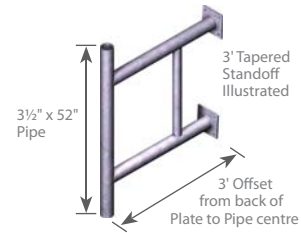
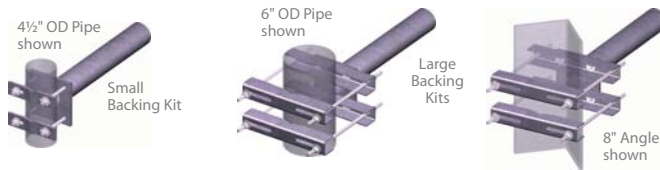
Notes: 1. Small Backing Kits fit up to 4¹/₂" OD rounds.
2. Large Backing Kits fit up to 11" OD rounds and 8" angles.

Trylon 21 South Field Drive, Elmira, ON N3B 0A6

P: 519.669.5421 F: 519.669.8912 E: info@trylon.com W: www.trylon.com

Antenna Mounts

T-Frame Sector Mounts continued



Top number is always the Vertical Weldment / Bottom number is always the Tapered Weldment

Kit #	Description	Qty	List Price	Wt
15' T-Frame Sector with 2 3/8" Rails				
5.930.0055.002	T-Frame with 3' Vertical Standoff	Ea	\$1598	404
5.930.0056.002	T-Frame with 3' Tapered Standoff Includes two 2 3/8" x 8' pipes, Small Backing Kits, and 12' long Tie-Back		\$1601	405
5.930.0055.003	T-Frame with 3' Vertical Standoff	Ea	\$1798	451
5.930.0056.003	T-Frame with 3' Tapered Standoff Includes three 2 3/8" x 8' pipes, Small Backing Kits, and 12' long Tie-Back		\$1801	452
5.930.0055.004	T-Frame with 3' Vertical Standoff	Ea	\$1998	497
5.930.0056.004	T-Frame with 3' Tapered Standoff Includes four 2 3/8" x 8' pipes, Small Backing Kits, and 12' long Tie-Back		\$2001	498
5.930.0055.012	T-Frame with 3' Vertical Standoff	Ea	\$1828	452
5.930.0056.012	T-Frame with 3' Tapered Standoff Includes two 2 3/8" x 8' pipes, Large Backing Kits, and 12' long Tie-Back		\$1831	453
5.930.0055.013	T-Frame with 3' Vertical Standoff	Ea	\$2028	499
5.930.0056.013	T-Frame with 3' Tapered Standoff Includes three 2 3/8" x 8' pipes, Large Backing Kits, and 12' long Tie-Back		\$2030	500
5.930.0055.014	T-Frame with 3' Vertical Standoff	Ea	\$2228	545
5.930.0056.014	T-Frame with 3' Tapered Standoff Includes four 2 3/8" x 8' pipes, Large Backing Kits, and 12' long Tie-Back		\$2230	546

Kit #	Description	Qty	List Price	Wt
15' T-Frame Sector with 3 1/2" Rails				
5.930.0057.002	T-Frame with 3' Vertical Standoff	Ea	\$1952	534
5.930.0058.002	T-Frame with 3' Tapered Standoff Includes two 2 3/8" x 8' pipes, Small Backing Kits, and 12' long Tie-Back		\$1955	535
5.930.0057.003	T-Frame with 3' Vertical Standoff	Ea	\$2165	583
5.930.0058.003	T-Frame with 3' Tapered Standoff Includes three 2 3/8" x 8' pipes, Small Backing Kits, and 12' long Tie-Back		\$2168	584
5.930.0057.004	T-Frame with 3' Vertical Standoff	Ea	\$2379	633
5.930.0058.004	T-Frame with 3' Tapered Standoff Includes four 2 3/8" x 8' pipes, Small Backing Kits, and 12' long Tie-Back		\$2381	634
5.930.0057.012	T-Frame with 3' Vertical Standoff	Ea	\$2182	582
5.930.0058.012	T-Frame with 3' Tapered Standoff Includes two 2 3/8" x 8' pipes, Large Backing Kits, and 12' long Tie-Back		\$2184	583
5.930.0057.013	T-Frame with 3' Vertical Standoff	Ea	\$2395	632
5.930.0058.013	T-Frame with 3' Tapered Standoff Includes three 2 3/8" x 8' pipes, Large Backing Kits, and 12' long Tie-Back		\$2398	633
5.930.0057.014	T-Frame with 3' Vertical Standoff	Ea	\$2608	681
5.930.0058.014	T-Frame with 3' Tapered Standoff Includes four 2 3/8" x 8' pipes, Large Backing Kits, and 12' long Tie-Back		\$2611	682

Notes: 1. Small Backing Kits fit up to 4 1/2" OD rounds.
2. Large Backing Kits fit up to 11" OD rounds and 8" angles.

Notes: 1. Small Backing Kits fit up to 4 1/2" OD rounds.
2. Large Backing Kits fit up to 11" OD rounds and 8" angles.

Antenna Mounts

Universal T-Frame Sector Mounts

The Universal T-Frame Sector Mounts are the most versatile of our T-Frame designs. They have the same strength and rugged features as the previous T-Frames, but come standard with universal hardware for almost any imaginable tower design.

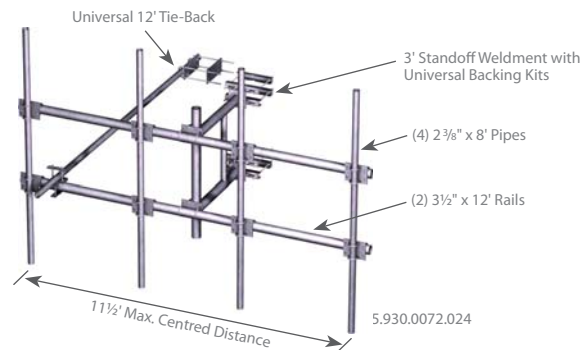
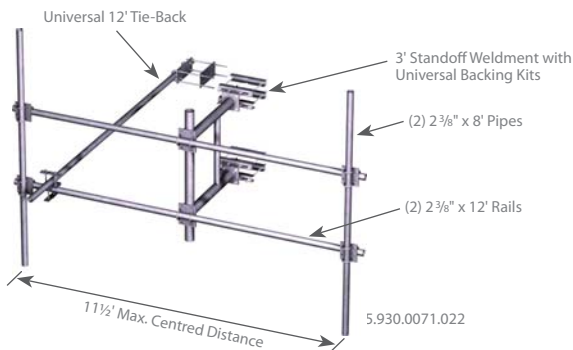
Standard are 3' standoff, universal backing assemblies and universal tie backs (12' long) that can attach to either round legs ranging from 1½" up to 11" OD, or 60° or 90° angle legs up to 8" in size. In addition, the unique backing assemblies can mount to either vertical tower legs or tapered tower legs up to 8° (1 in 7) slope.

Universal T-Frame Sector Mounts are offered in 12' and 15' overall widths and with either 2¾" OD or 3½" OD horizontal rails, depending on your loading requirements.

All materials are hot dip galvanized for corrosion resistance in any environmental condition.

(Note: As a capacity example, a 15' T-Frame with 2¾" OD can hold four 1'x6' panels at maximum diversity under 400Pa Wind Pressures, whereas the 3½" OD rails can achieve wind capacities up to 600Pa, both with less than 1° deflection. Call us to see which is best suited for your application.)

Quick Guide			
Size	12' or 15' Face Widths	Mounts to	Up to 11" OD Legs Tapered or Vertical
Design	Pipe Frame with 3' Welded Standoff	Material	Hot dip galvanized steel
Feature	Heavy duty Universal design	Order Separately	Longer Tie-Backs or different pipe lengths



Kit #	Description	Qty	List Price	Wt
12' Universal T-Frame Sector with 2¾" Rails				
5.930.0071.021	T-Frame with 3' Vertical Standoff Includes Universal Backing Kit, and Universal 12' Tie-Back	Ea	\$1417	342
5.930.0071.022	T-Frame with 3' Vertical Standoff Includes two 2¾" x 8' pipes, Universal Backing Kit, and Universal 12' Tie-Back	Ea	\$1802	435
5.930.0071.023	T-Frame with 3' Vertical Standoff Includes three 2¾" x 8' pipes, Universal Backing Kit, and Universal 12' Tie-Back	Ea	\$1994	482
5.930.0071.024	T-Frame with 3' Vertical Standoff Includes four 2¾" x 8' pipes, Universal Backing Kit, and Universal 12' Tie-Back	Ea	\$2187	528

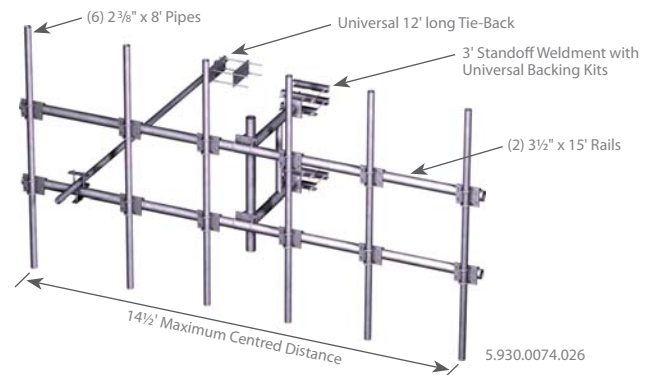
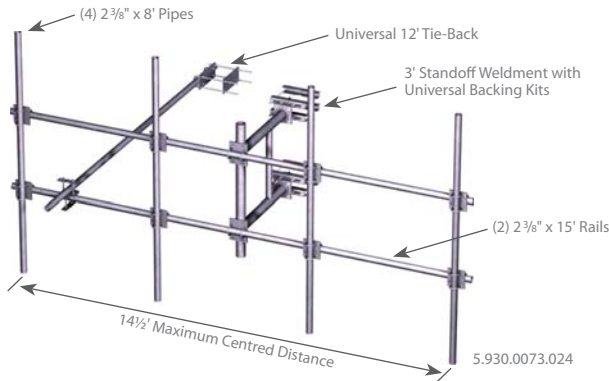
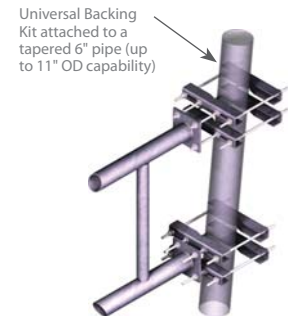
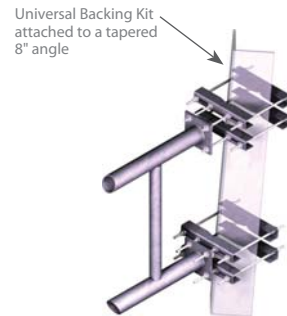
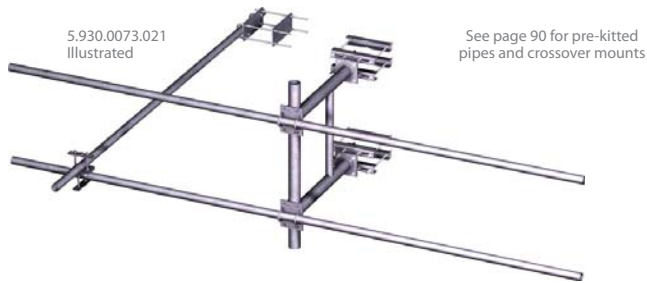
Notes: 1. Universal Backing Kit fits up to 11" OD rounds and 8" angles; and can mount to vertical or tapered legs up to 8° (1 in 7) slope.
2. Universal Tie-Backs can attach up to 11" OD members.

Kit #	Description	Qty	List Price	Wt
12' Universal T-Frame Sector with 3½" Rails				
5.930.0072.021	T-Frame with 3' Vertical Standoff Includes Universal Backing Kit, and Universal 12' Tie-Back	Ea	\$1672	442
5.930.0072.022	T-Frame with 3' Vertical Standoff Includes two 2¾" x 8' pipes, Universal Backing Kit, and Universal 12' Tie-Back	Ea	\$2083	541
5.930.0072.023	T-Frame with 3' Vertical Standoff Includes three 2¾" x 8' pipes, Universal Backing Kit, and Universal 12' Tie-Back	Ea	\$2288	590
5.930.0072.024	T-Frame with 3' Vertical Standoff Includes four 2¾" x 8' pipes, Universal Backing Kit, and Universal 12' Tie-Back	Ea	\$2493	639

Notes: 1. Universal Backing Kit fits up to 11" OD rounds and 8" angles; and can mount to vertical or tapered legs up to 8° (1 in 7) slope.
2. Universal Tie-Backs can attach up to 11" OD members.

Antenna Mounts

Universal T-Frame Sector Mounts continued



Kit #	Description	Qty	List Price	Wt
15' Universal T-Frame Sector with 2 3/8" Rails				
5.930.0073.021	T-Frame with 3' Vertical Standoff Includes Universal Backing Kit, and Universal 12' Tie-Back	Ea	\$1474	365
5.930.0073.022	T-Frame with 3' Vertical Standoff Includes two 2 3/8" x 8' pipes, Universal Backing Kit, and Universal 12' Tie-Back	Ea	\$1859	458
5.930.0073.023	T-Frame with 3' Vertical Standoff Includes three 2 3/8" x 8' pipes, Universal Backing Kit, and Universal 12' Tie-Back	Ea	\$2051	505
5.930.0073.024	T-Frame with 3' Vertical Standoff Includes four 2 3/8" x 8' pipes, Universal Backing Kit, and Universal 12' Tie-Back	Ea	\$2244	551
5.930.0073.025	T-Frame with 3' Vertical Standoff Includes five 2 3/8" x 8' pipes, Universal Backing Kit, and Universal 12' Tie-Back	Ea	\$2436	598
5.930.0073.026	T-Frame with 3' Vertical Standoff Includes six 2 3/8" x 8' pipes, Universal Backing Kit, and Universal 12' Tie-Back	Ea	\$2629	644

Kit #	Description	Qty	List Price	Wt
15' Universal T-Frame Sector with 3 1/2" Rails				
5.930.0074.021	T-Frame with 3' Vertical Standoff Includes Universal Backing Kit, and Universal 12' Tie-Back	Ea	\$1789	489
5.930.0074.022	T-Frame with 3' Vertical Standoff Includes two 2 3/8" x 8' pipes, Universal Backing Kit, and Universal 12' Tie-Back	Ea	\$2200	588
5.930.0074.023	T-Frame with 3' Vertical Standoff Includes three 2 3/8" x 8' pipes, Universal Backing Kit, and Universal 12' Tie-Back	Ea	\$2405	638
5.930.0074.024	T-Frame with 3' Vertical Standoff Includes four 2 3/8" x 8' pipes, Universal Backing Kit, and Universal 12' Tie-Back	Ea	\$2610	687
5.930.0074.025	T-Frame with 3' Vertical Standoff Includes five 2 3/8" x 8' pipes, Universal Backing Kit, and Universal 12' Tie-Back	Ea	\$2816	737
5.930.0074.026	T-Frame with 3' Vertical Standoff Includes six 2 3/8" x 8' pipes, Universal Backing Kit, and Universal 12' Tie-Back	Ea	\$3021	786

Notes: 1. Universal Backing Kits fit up to 11" OD rounds and 8" angles; and can mount to vertical or tapered legs up to 8° (1 in 7) slope.
2. Universal Tie-Backs can attach up to 11" OD members.

Notes: 1. Universal Backing Kits fit up to 11" OD rounds and 8" angles; and can mount to vertical or tapered legs up to 8° (1 in 7) slope.
2. Universal Tie-Backs can attach up to 11" OD members.

Antenna Mounts

Monopole Components

Trylon has a full line of Monopole Components that cover a wide variety of applications. From Universal Ring Assemblies to multi-sector Co-Location Platforms, almost every possibility is here.

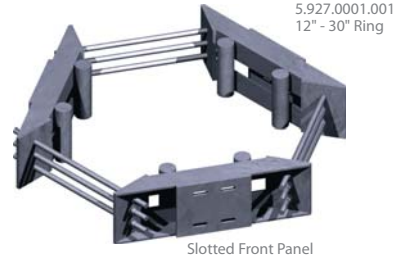
All material is hot dip galvanized to weather the harshest environmental conditions.

UNIVERSAL MONOPOLE RING ASSEMBLIES

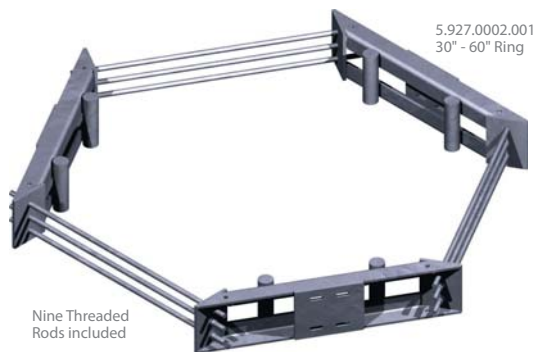
To keep ordering simple, Trylon designed two Universal Monopole Ring Assemblies that attach to a wide range of pole sizes.

These robust assemblies come complete with three rugged weldments joined by nine heavy-duty threaded rods. The rings can mount to either round poles or multi-sided polygon poles. For attaching, each weldment has slotted holes that can accommodate pipes ranging from 2 3/8" OD to 4 1/2" OD using 1/2" u-bolts, or any other standard Trylon standoff (ordered separately).

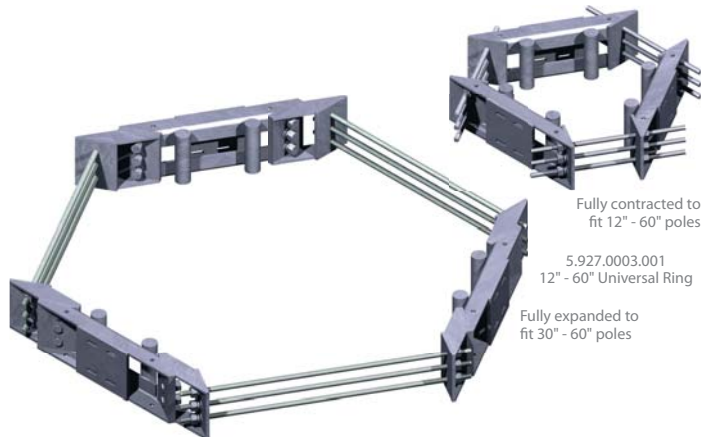
In the event that the pole size is unknown, buy the 12" to 60" Universal Monopole Ring Assembly. This kit is truly universal and comes standard with our 12" to 30" Universal Monopole Ring plus an adapter kits that expands the ring for pole sizes 30" to 60". All material is hot dip galvanized.



Slotted Front Panel



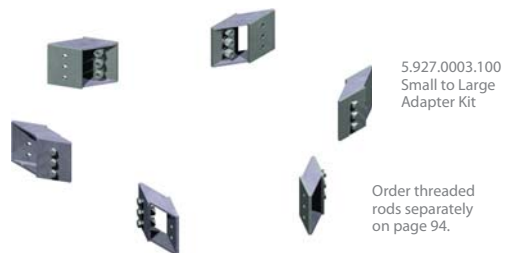
Nine Threaded Rods included



Fully contracted to fit 12" - 60" poles

5.927.0003.001
12" - 60" Universal Ring

Fully expanded to fit 30" - 60" poles



5.927.0003.100
Small to Large Adapter Kit

Order threaded rods separately on page 94.

Quick Guide			
Size	12" to 60" options	Mounts to	12" to 60" round or polygonal poles
Design	One piece weldments	Material	Hot dip galvanized steel
Feature	Installation friendly	Order Separately	Antenna Pipes, Mounts page 32

Kit #	Description	Qty	List Price	Wt
Universal Monopole Ring Assemblies				
5.927.0001.001	12" to 30" Universal Monopole Ring	Ea	\$1060	225
5.927.0002.001	30" to 60" Universal Monopole Ring	Ea	\$1364	285
5.927.0003.001	12" to 60" Universal Monopole Ring	Ea	\$1953	395
Adapter Kit				
5.927.0003.100	Small to Large Adapter Kit*	Ea	\$494	119

*Note: Order the 3/4" x 42" threaded rods, if required, separately on page 94.

Antenna Mounts

Monopole Components continued

MONOPOLE PIPE MOUNT ASSEMBLIES

These Standoff Assemblies mount directly to Universal Ring Assemblies (ordered separately) through the included 1/2" A325 hardware.

Standard standoffs are available in five lengths: 1', 2', 3', 3½' or 6½'. End pipes (ordered separately) ranging from 2 3/8" OD to 4½" OD can be mounted vertically or horizontally using 1/2" u-bolts (ordered separately) through the eight slotted holes at the mounting end of the standoff.

Adjustable standoffs are available in two lengths, 3' and 4'. They both come with a 4½" OD x 18" long mounting pipe that are typically combined with t-arms (sold separately).

Single arm standoffs are available in two lengths, 2' and 3' and are open-ended designs utilizing a 3½" OD pipe.

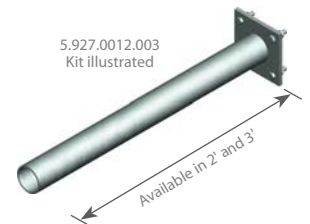
Note: Even the standard standoffs on pages 2 to 7 can be used as they will also attach to the universal ring weldment's hole pattern.

MONOPOLE KNEE BRACE ASSEMBLIES

Knee Braces are ideal for providing additional lateral support at 60° angles between two or three adjacent sectors. Five lengths are available: 44", 60", 72", 78" and 108", and come complete with four 1/2" u-bolts that fit 3½" OD pipes. Pipes ranging from 2 3/8" OD to 4½" OD can be accommodated using 1/2" hardware (order separately).

All material hot dip galvanized.

Quick Guide			
Size	14 options	Mounts to	Universal Ring Kits
Design	One piece weldments	Material	Hot dip galvanized steel
Feature	Installation friendly	Order Separately	Universal Rings or Antenna Pipes



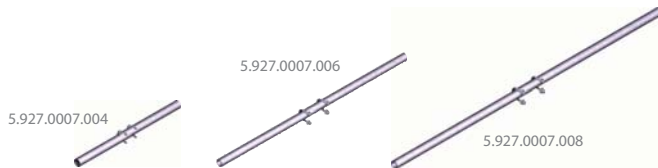
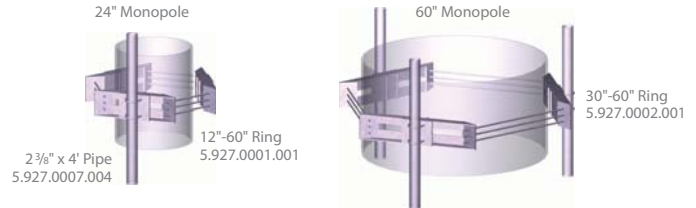
Kit #	Description	Qty	List Price	Wt
Monopole Standoff Assemblies				
5.927.0005.001	1' Monopole Standoff Kit	Ea	\$115	23
5.927.0005.002	2' Monopole Standoff Kit	Ea	\$136	31
5.927.0005.003	3' Monopole Standoff Kit	Ea	\$157	38
5.927.0005.035	3½' Monopole Standoff Kit	Ea	\$165	42
5.927.0005.065	6½' Monopole Standoff Kit	Ea	\$305	88
5.927.0005.103	3' Adjustable Monopole Standoff Kit	Ea	\$189	46
5.927.0005.104	4' Adjustable Monopole Standoff Kit	Ea	\$209	54
5.927.0012.002	2' Single Arm Monopole Standoff Kit	Ea	\$100	22
5.927.0012.003	3' Single Arm Monopole Standoff Kit	Ea	\$120	30
Monopole Knee Brace Assemblies				
5.927.0006.004	44" (60°) Knee Brace Kit	Ea	\$211	48
5.927.0006.005	60" (60°) Knee Brace Kit	Ea	\$241	58
5.927.0006.006	72" (60°) Knee Brace Kit	Ea	\$273	66
5.927.0006.007	78" (60°) Knee Brace Kit	Ea	\$277	70
5.927.0006.009	108" (60°) Knee Brace Kit	Ea	\$449	120

Antenna Mounts

Monopole Components continued

MONOPOLE PIPE MOUNT ASSEMBLIES

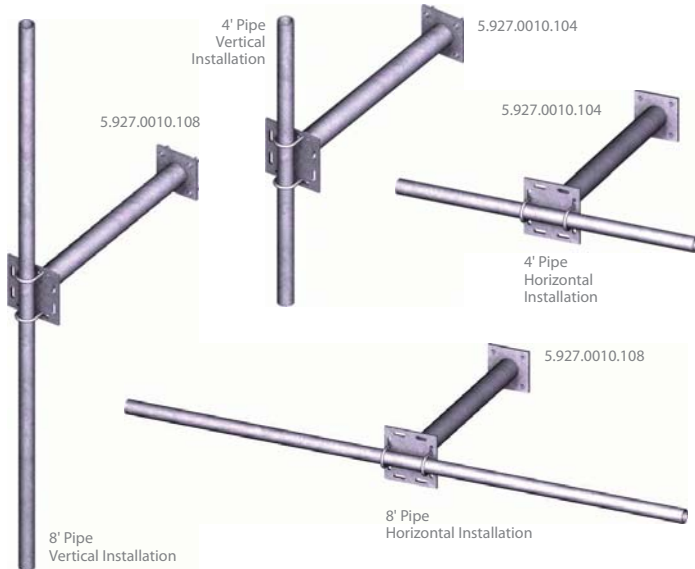
These Pipe Mount Assemblies can attach directly to Ring Assemblies or Standoffs (ordered separately) using two accompanying 1/2" u-bolt assemblies. If straddling two Ring Assemblies, e.g. dishes 8' and larger, choose from our kits that come with four 1/2" u-bolt assemblies.



Kit #	Description	Qty	List Price	Wt
2 3/8" Monopole Pipe Mount Assemblies				
5.927.0007.004	2 3/8" x 4' Pipe with two u-bolts	Ea	\$66	17
5.927.0007.006	2 3/8" x 6' Pipe with two u-bolts	Ea	\$86	25
5.927.0007.008	2 3/8" x 8' Pipe with two u-bolts	Ea	\$107	33
5.927.0007.012	2 3/8" x 12' Pipe with two u-bolts	Ea	\$146	48
5.927.0007.015	2 3/8" x 15' Pipe with two u-bolts	Ea	\$176	59
3 1/2" Monopole Pipe Mount Assemblies				
5.927.0008.012	3 1/2" x 12' Pipe with two u-bolts	Ea	\$278	98
5.927.0008.014	3 1/2" x 14' Pipe with two u-bolts	Ea	\$319	113
5.927.0008.015	3 1/2" x 15' Pipe with two u-bolts	Ea	\$339	121
5.927.0008.017	3 1/2" x 17' Pipe with two u-bolts	Ea	\$381	137
5.927.0008.021	3 1/2" x 21' Pipe with two u-bolts	Ea	\$462	169
4 1/2" Monopole Pipe Mount Assemblies				
5.927.0009.004	4 1/2" x 4' Pipe with two u-bolts	Ea	\$153	48
5.927.0009.006	4 1/2" x 6' Pipe with two u-bolts	Ea	\$211	70
5.927.0009.008	4 1/2" x 8' Pipe with two u-bolts	Ea	\$269	93
5.927.0009.010	4 1/2" x 10' Pipe with two u-bolts	Ea	\$327	116
5.927.0009.012	4 1/2" x 12' Pipe with two u-bolts	Ea	\$385	138

Kit #	Description	Qty	List Price	Wt
2 3/8" Monopole Pipe Mount Assemblies				
5.927.0007.404	2 3/8" x 4' Pipe with four u-bolts	Ea	\$88	19
5.927.0007.406	2 3/8" x 6' Pipe with four u-bolts	Ea	\$108	26
5.927.0007.408	2 3/8" x 8' Pipe with four u-bolts	Ea	\$128	34
5.927.0007.412	2 3/8" x 12' Pipe with four u-bolts	Ea	\$167	49
5.927.0007.415	2 3/8" x 15' Pipe with four u-bolts	Ea	\$197	61
3 1/2" Monopole Pipe Mount Assemblies				
5.927.0008.412	3 1/2" x 12' Pipe with four u-bolts	Ea	\$304	99
5.927.0008.414	3 1/2" x 14' Pipe with four u-bolts	Ea	\$344	115
5.927.0008.415	3 1/2" x 15' Pipe with four u-bolts	Ea	\$365	123
5.927.0008.417	3 1/2" x 17' Pipe with four u-bolts	Ea	\$406	139
5.927.0008.421	3 1/2" x 21' Pipe with four u-bolts	Ea	\$487	171
4 1/2" Monopole Pipe Mount Assemblies				
5.927.0009.404	4 1/2" x 4' Pipe with four u-bolts	Ea	\$180	50
5.927.0009.406	4 1/2" x 6' Pipe with four u-bolts	Ea	\$238	73
5.927.0009.408	4 1/2" x 8' Pipe with four u-bolts	Ea	\$296	95
5.927.0009.410	4 1/2" x 10' Pipe with four u-bolts	Ea	\$354	118
5.927.0009.412	4 1/2" x 12' Pipe with four u-bolts	Ea	\$412	141

Antenna Mounts



Monopole Standoffs with Pipe Mount

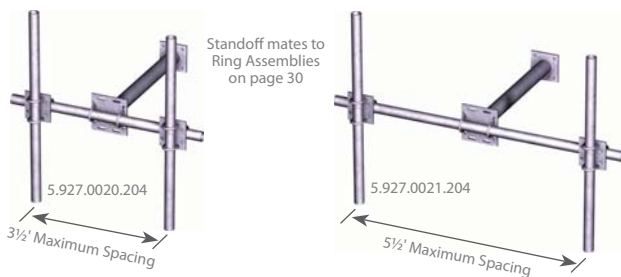
These pre-assembled kits are typically used for single antenna systems, but can also be used as part of a horizontal system. Each kit comes standard with a 3' standoff, a 2³/₈" OD pipe, and all the necessary hardware to connect vertically or horizontally to our Universal Ring Assemblies (sold separately).



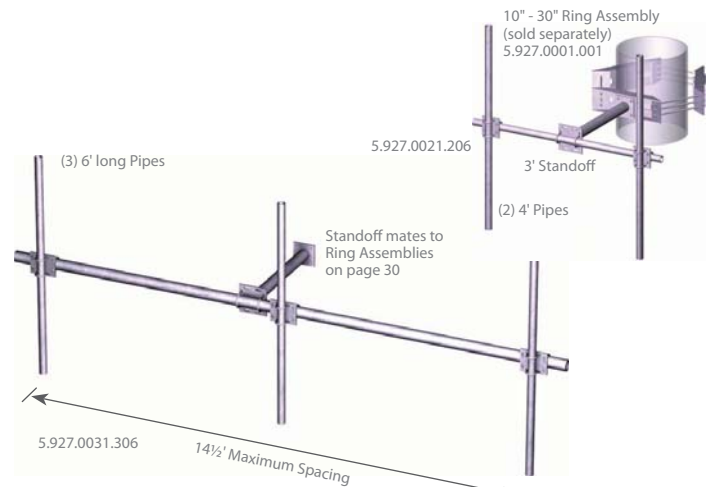
Kit #	Description	Qty	List Price	Wt
Universal Monopole Ring Assemblies				
5.927.0010.104	3' Standoff with a 2 ³ / ₈ " x 4' Pipe	Ea	\$223	55
5.927.0010.106	3' Standoff with a 2 ³ / ₈ " x 6' Pipe	Ea	\$243	63
5.927.0010.108	3' Standoff with a 2 ³ / ₈ " x 8' Pipe	Ea	\$263	71
5.927.0010.112	3' Standoff with a 2 ³ / ₈ " x 12' Pipe	Ea	\$302	86

Monopole Wireless Arm Assemblies

Monopole Wireless Arm Assemblies are ideal for single sector applications and can support up to three antennas. They are offered in 4', 6', 12', and 15' over all widths. The two shorter arms utilize a 2³/₈" OD cross arm, whereas the two longer options have a 3¹/₂" OD cross arm. Each kit comes with all necessary hardware for installation to our Universal Monopole Ring Assemblies; sold separately on page 30. All material is hot dip galvanized to weather the elements.



Kit #	Description	Qty	List Price	Wt
Wireless Arm Assemblies with two Pipes				
5.927.0020.204	4' Wireless Arm with 3' Standoff and two 2 ³ / ₈ " x 4' pipes	Ea	\$539	102
5.927.0020.206	4' Wireless Arm with 3' Standoff and two 2 ³ / ₈ " x 6' pipes	Ea	\$590	117
5.927.0021.204	6' Wireless Arm with 3' Standoff and two 2 ³ / ₈ " x 4' pipes	Ea	\$564	110
5.927.0021.206	6' Wireless Arm with 3' Standoff and two 2 ³ / ₈ " x 6' pipes	Ea	\$615	125



Kit #	Description	Qty	List Price	Wt
Wireless Arm Assemblies with three Pipes				
5.927.0030.304	12' Wireless Arm with 3' Standoff and three 2 ³ / ₈ " x 4' pipes	Ea	\$961	210
5.927.0030.306	12' Wireless Arm with 3' Standoff and three 2 ³ / ₈ " x 6' pipes	Ea	\$1037	233
5.927.0030.308	12' Wireless Arm with 3' Standoff and three 2 ³ / ₈ " x 8' pipes	Ea	\$1114	256
5.927.0031.304	15' Wireless Arm with 3' Standoff and three 2 ³ / ₈ " x 4' pipes	Ea	\$1037	234
5.927.0031.306	15' Wireless Arm with 3' and three 2 ³ / ₈ " x 6' pipes	Ea	\$1114	257
5.927.0031.308	15' Wireless Arm with 3' Standoff and three 2 ³ / ₈ " x 8' pipes	Ea	\$1190	280

Antenna Mounts

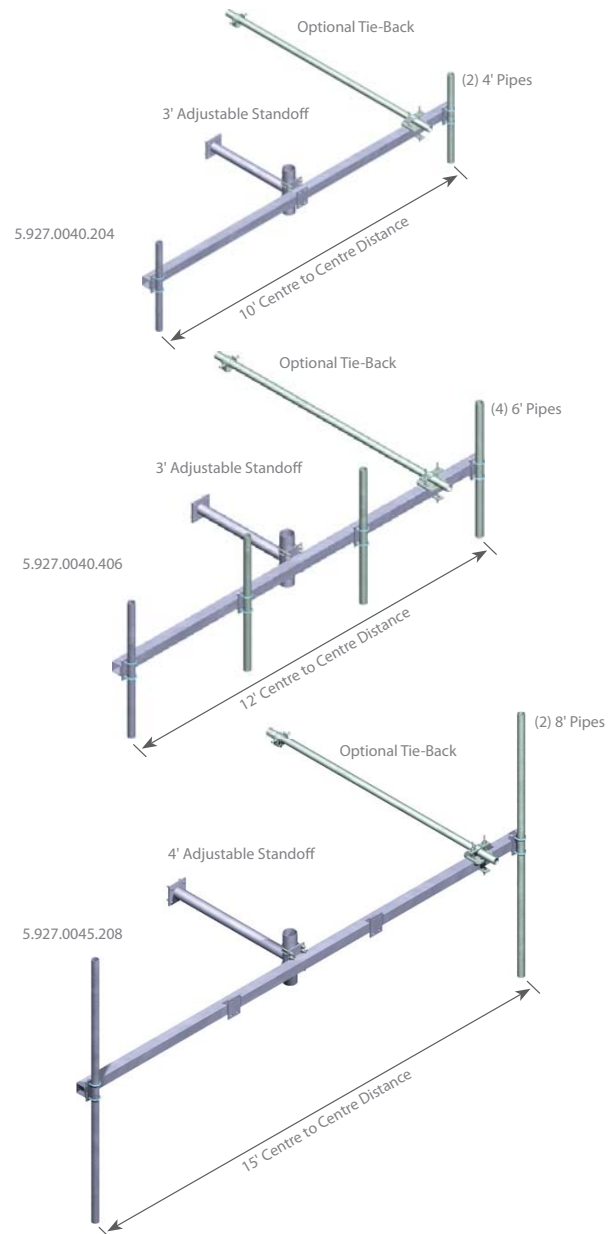
Monopole T-Arm Kits

Monopole T-Arm Kits are ideal for easy sector installation. They come standard in three sizes; 10', 12' and 15' outside pipe centred distance, and complete with an adjustable standoff and all hardware necessary to attach to our standard universal rings assemblies (sold separately). Depending on your antenna size, pick from our three available 2³/₈" pipe lengths, 4', 6' and 8' that easily connect via 1/2" u-bolts to our welded connection plates.

All material is hot dip galvanized to weather the elements.

Quick Guide			
Size	10', 12', or 15' face	Mounts to	Universal Ring Mounts
Design	Single sector	Material	Hot dip galvanized steel
Feature	Simplified installation	Order Separately	Rings Mounts, Work Platforms, page 30

Kit #	Description	Qty	List Price	Wt
10" T-Arm Kits				
5.927.0040.204	10' T-Arm c/w 3' Adjustable Standoff and two 2 ³ / ₈ " x 4' pipes	Ea	\$769	192
5.927.0040.206	10' T-Arm c/w 3' Adjustable Standoff and two 2 ³ / ₈ " x 6' pipes	Ea	\$812	208
5.927.0040.208	10' T-Arm c/w 3' Adjustable Standoff and two 2 ³ / ₈ " x 8' pipes	Ea	\$856	223
5.927.0040.304	10' T-Arm c/w 3' Adjustable Standoff and three 2 ³ / ₈ " x 4' pipes	Ea	\$840	209
5.927.0040.306	10' T-Arm c/w 3' Adjustable Standoff and three 2 ³ / ₈ " x 6' pipe	Ea	\$905	232
5.927.0040.308	10' T-Arm c/w 3' Adjustable Standoff and three 2 ³ / ₈ " x 8' pipe	Ea	\$970	255
12" T-Arm Kits				
5.927.0042.204	12' T-Arm c/w 3' Adjustable Standoff and two 2 ³ / ₈ " x 4' pipes	Ea	\$840	213
5.927.0042.206	12' T-Arm c/w 3' Adjustable Standoff and two 2 ³ / ₈ " x 6' pipes	Ea	\$883	229
5.927.0042.208	12' T-Arm c/w 3' Adjustable Standoff and two 2 ³ / ₈ " x 8' pipes	Ea	\$927	244
5.927.0042.404	12' T-Arm c/w 3' Adjustable Standoff and four 2 ³ / ₈ " x 4' pipes	Ea	\$982	247
5.927.0042.406	12' T-Arm c/w 3' Adjustable Standoff and four 2 ³ / ₈ " x 6' pipe	Ea	\$1069	278
5.927.0042.408	12' T-Arm c/w 3' Adjustable Standoff and four 2 ³ / ₈ " x 8' pipe	Ea	\$1156	309
15" T-Arm Kits				
5.927.0045.204	15' T-Arm c/w 3' Adjustable Standoff and two 2 ³ / ₈ " x 4' pipes	Ea	\$941	247
5.927.0045.206	15' T-Arm c/w 3' Adjustable Standoff and two 2 ³ / ₈ " x 6' pipes	Ea	\$985	262
5.927.0045.208	15' T-Arm c/w 3' Adjustable Standoff and two 2 ³ / ₈ " x 8' pipes	Ea	\$1028	278
5.927.0045.404	15' T-Arm c/w 3' Adjustable Standoff and four 2 ³ / ₈ " x 4' pipes	Ea	\$1083	281
5.927.0045.406	15' T-Arm c/w 3' Adjustable Standoff and four 2 ³ / ₈ " x 6' pipe	Ea	\$1170	311
5.927.0045.408	15' T-Arm c/w 3' Adjustable Standoff and four 2 ³ / ₈ " x 8' pipe	Ea	\$1257	342

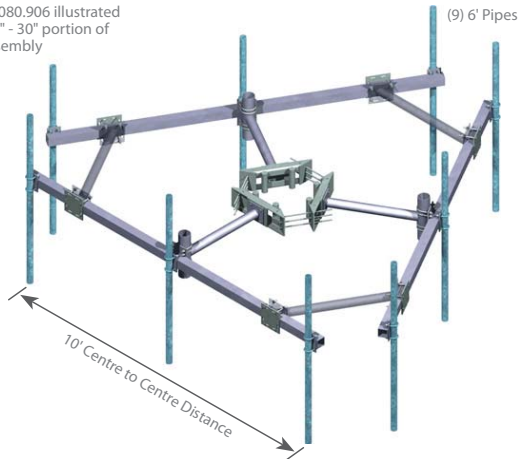


Trylon 21 South Field Drive, Elmira, ON N3B 0A6

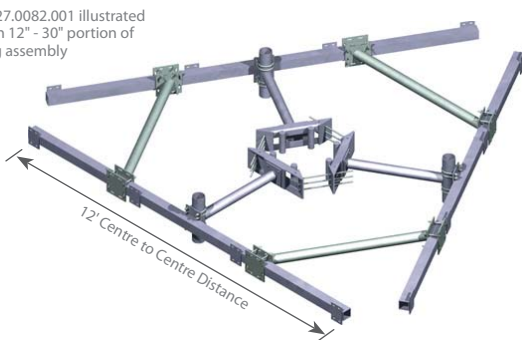
P: 519.669.5421 F: 519.669.8912 E: info@trylon.com W: www.trylon.com

Antenna Mounts

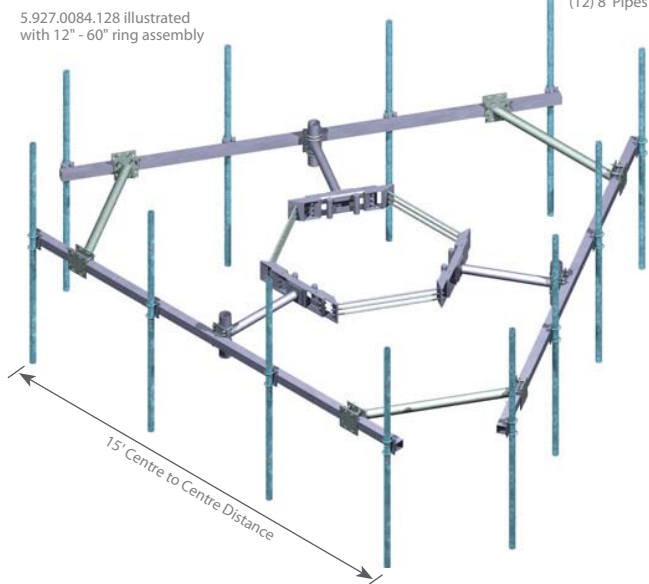
5.927.0080.906 illustrated with 12" - 30" portion of ring assembly



5.927.0082.001 illustrated with 12" - 30" portion of ring assembly



5.927.0084.128 illustrated with 12" - 60" ring assembly



Monopole Co-Location T-Frame Kits

Monopole T-Frame Kits are a complete co-location solution. They come standard with our 12" to 60" universal ring assembly, three adjustable standoffs that allow sector orientation, and three HSS cross arms with welded connection plates available in three overall widths: 10', 12' and 15' (outside centred lengths). Other options include 2³/₈" mounting pipes (six, nine or twelve pipes) and mounting pipe lengths (6' or 8').

All material is hot dip galvanized to resist corrosion.

Quick Guide

Size	10', 12', or 15' face	Mounts to	12" - 60" round or polygonal poles
Design	Three sector	Material	Hot dip galvanized steel
Feature	Complete co-location kit	Order Separately	Pipe Mounts, Work Platforms

Kit #	Description	Qty	List Price	Wt
10" T-Frame Kits				
5.927.0080.001	10' T-Frame Kit fits 12" to 60" OD poles	Ea	\$3889	870
5.927.0080.606	10' T-Frame Kit fits 12" to 60" OD poles with six 2 ³ / ₈ " x 6' pipes	Ea	\$4380	1018
5.927.0080.608	10' T-Frame Kit fits 12" to 60" OD poles with six 2 ³ / ₈ " x 8' pipes	Ea	\$4414	1064
5.927.0080.906	10' T-Frame Kit fits 12" to 60" OD poles with nine 2 ³ / ₈ " x 6' pipes	Ea	\$4626	1091
5.927.0080.908	10' T-Frame Kit fits 12" to 60" OD poles with nine 2 ³ / ₈ " x 8' pipes	Ea	\$4663	1161
12" T-Frame Kits				
5.927.0082.001	12' T-Frame Kit fits 12" to 60" OD poles	Ea	\$4346	932
5.927.0082.606	12' T-Frame Kit fits 12" to 60" OD poles with six 2 ³ / ₈ " x 6' pipes	Ea	\$4837	1080
5.927.0082.608	12' T-Frame Kit fits 12" to 60" OD poles with six 2 ³ / ₈ " x 8' pipes	Ea	\$4862	1126
5.927.0082.126	12' T-Frame Kit fits 12" to 60" OD poles with twelve 2 ³ / ₈ " x 6' pipes	Ea	\$5329	1228
5.927.0082.128	12' T-Frame Kit fits 12" to 60" OD poles with twelve 2 ³ / ₈ " x 8' pipes	Ea	\$5379	1320
15" T-Frame Kits				
5.927.0084.001	15' T-Frame Kit fits 12" to 60" OD poles	Ea	\$4441	1009
5.927.0084.606	15' T-Frame Kit fits 12" to 60" OD poles with six 2 ³ / ₈ " x 6' pipes	Ea	\$4934	1157
5.927.0084.608	15' T-Frame Kit fits 12" to 60" OD poles with six 2 ³ / ₈ " x 8' pipes	Ea	\$4958	1203
5.927.0084.126	15' T-Frame Kit fits 12" to 60" OD poles with twelve 2 ³ / ₈ " x 6' pipes	Ea	\$5425	1305
5.927.0084.128	15' T-Frame Kit fits 12" to 60" OD poles with twelve 2 ³ / ₈ " x 8' pipes	Ea	\$5474	1397

Antenna Mounts

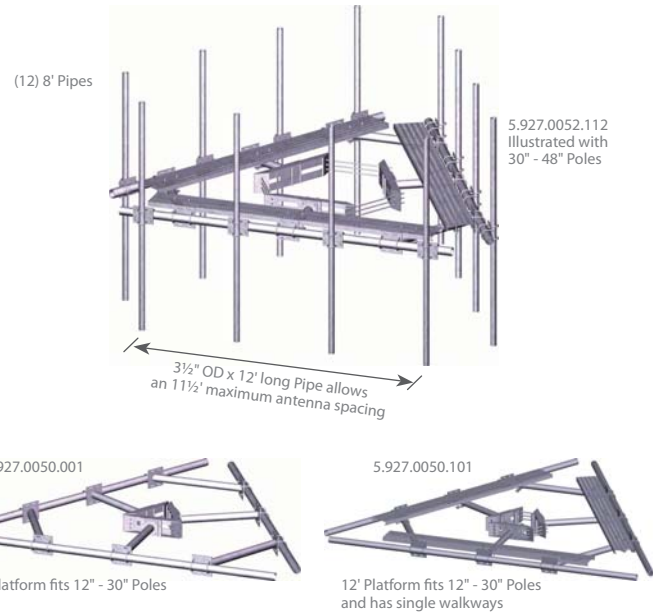
Low Profile Co-Location Platforms

Low Profile Platforms are the most visually appealing co-location monopole solution. They are made standard with a universal ring assembly and three of each of the following: standoffs, knee braces and cross arms. Other options include 2³/₈" x 8' mounting pipes (six, nine or twelve pipes), 12' or 15' overall widths for your antennas, and single or double graded

walkways for worker access. These walkways are uniquely designed (in-line with platform face) for adequate space for climbing and transmission line installation.

All material is hot dip galvanized to weather the elements.

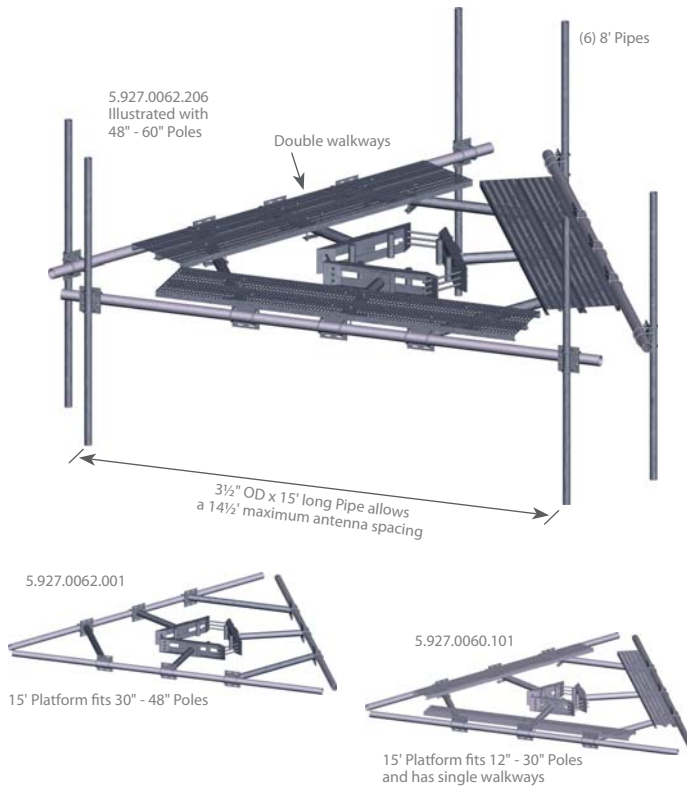
Kit #	Description	Qty	List Price	Wt
12' Platforms - fits 12" to 30" OD Poles				
5.927.0050.001	12' Platform fits 12" to 30" Poles	Ea	\$3086	774
5.927.0050.006	12' Platform fits 12" to 30" Poles With six 2 ³ / ₈ " x 8' pipes	Ea	\$4018	1014
5.927.0050.009	12' Platform fits 12" to 30" Poles With nine 2 ³ / ₈ " x 8' pipes	Ea	\$4484	1135
5.927.0050.012	12' Platform fits 12" to 30" Poles With twelve 2 ³ / ₈ " x 8' pipes	Ea	\$4950	1255
5.927.0050.101	12' Platform fits 12" to 30" Poles With three walkways	Ea	\$4031	984
5.927.0050.106	12' Platform fits 12" to 30" Poles With walkways and six 8' pipes	Ea	\$4963	1224
5.927.0050.109	12' Platform fits 12" to 30" Poles With walkways and nine 8' pipes	Ea	\$5429	1344
5.927.0050.112	12' Platform fits 12" to 30" Poles With walkways and twelve 8' pipes	Ea	\$5895	1464
5.927.0050.201	12' Platform fits 12" to 30" Poles With three double walkways	Ea	\$5186	1261
5.927.0050.206	12' Platform fits 12" to 30" Poles With dbl. walkways and six 8' pipes	Ea	\$6118	1501
5.927.0050.209	12' Platform fits 12" to 30" Poles With dbl. walkways and nine 8' pipes	Ea	\$6584	1621
5.927.0050.212	12' Platform fits 12" to 30" Poles With dbl. walkways and twelve 8' pipes	Ea	\$7050	1742
12' Platforms - fits 30" to 48" OD Poles				
5.927.0052.001	12' Platform fits 30" to 48" Poles	Ea	\$3338	811
5.927.0052.006	12' Platform fits 30" to 48" Poles With six 2 ³ / ₈ " x 8' pipes	Ea	\$4270	1051
5.927.0052.009	12' Platform fits 30" to 48" Poles With nine 2 ³ / ₈ " x 8' pipes	Ea	\$4736	1171
5.927.0052.012	12' Platform fits 30" to 48" Poles With twelve 2 ³ / ₈ " x 8' pipes	Ea	\$5202	1292
5.927.0052.101	12' Platform fits 30" to 48" Poles With three walkways	Ea	\$4283	1020
5.927.0052.106	12' Platform fits 30" to 48" Poles With walkways and six 8' pipes	Ea	\$5215	1261
5.927.0052.109	12' Platform fits 30" to 48" Poles With walkways and nine 8' pipes	Ea	\$5681	1381
5.927.0052.112	12' Platform fits 30" to 48" Poles With walkways and twelve 8' pipes	Ea	\$6147	1501
5.927.0052.201	12' Platform fits 30" to 48" Poles With three double walkways	Ea	\$5513	1333
5.927.0052.206	12' Platform fits 30" to 48" Poles With dbl. walkways and six 8' pipes	Ea	\$6446	1574
5.927.0052.209	12' Platform fits 30" to 48" Poles With dbl. walkways and nine 8' pipes	Ea	\$6912	1694
5.927.0052.212	12' Platform fits 30" to 48" Poles With dbl. walkways and twelve 8' pipes	Ea	\$7378	1814



Kit #	Description	Qty	List Price	Wt
12' Platforms - fits 48" to 60" OD Poles				
5.927.0054.001	12' Platform fits 48" to 60" Poles	Ea	\$3426	843
5.927.0054.006	12' Platform fits 48" to 60" Poles With six 2 ³ / ₈ " x 8' pipes	Ea	\$4358	1083
5.927.0054.009	12' Platform fits 48" to 60" Poles With nine 2 ³ / ₈ " x 8' pipes	Ea	\$4824	1203
5.927.0054.012	12' Platform fits 48" to 60" Poles With twelve 2 ³ / ₈ " x 8' pipes	Ea	\$5291	1323
5.927.0054.101	12' Platform fits 48" to 60" Poles With three walkways	Ea	\$4371	1052
5.927.0054.106	12' Platform fits 48" to 60" Poles With walkways and six 8' pipes	Ea	\$5303	1293
5.927.0054.109	12' Platform fits 48" to 60" Poles With walkways and nine 8' pipes	Ea	\$5769	1413
5.927.0054.112	12' Platform fits 48" to 60" Poles With walkways and twelve 8' pipes	Ea	\$6236	1533
5.927.0054.201	12' Platform fits 48" to 60" Poles With three double walkways	Ea	\$5488	1322
5.927.0054.206	12' Platform fits 48" to 60" Poles With dbl. walkways and six 8' pipes	Ea	\$6420	1562
5.927.0054.209	12' Platform fits 48" to 60" Poles With dbl. walkways and nine 8' pipes	Ea	\$6887	1682
5.927.0054.212	12' Platform fits 48" to 60" Poles With dbl. walkways and twelve 8' pipes	Ea	\$7353	1802

Antenna Mounts

Low Profile Co-Location Platforms continued



Quick Guide			
Size	12' or 15' face	Mounts to	12" - 60" round or polygonal poles
Design	In-line Grated Platforms	Material	Hot dip galvanized steel
Feature	Complete co-location kit	Order Separately	Extra Pipe Mounts, page 90

Kit #	Description	Qty	List Price	Wt
15' Platforms - fits 12" to 30" OD Poles				
5.927.0060.001	15' Platform fits 12" to 30" Poles	Ea	\$3388	889
5.927.0060.006	15' Platform fits 12" to 30" Poles With six 2 ³ / ₈ " x 8' pipes	Ea	\$4320	1130
5.927.0060.009	15' Platform fits 12" to 30" Poles With nine 2 ³ / ₈ " x 8' pipes	Ea	\$4787	1250
5.927.0060.012	15' Platform fits 12" to 30" Poles With twelve 2 ³ / ₈ " x 8' pipes	Ea	\$5253	1370
5.927.0060.101	15' Platform fits 12" to 30" Poles With three walkways	Ea	\$4333	1099
5.927.0060.106	15' Platform fits 12" to 30" Poles With walkways and six 8' pipes	Ea	\$5265	1339
5.927.0060.109	15' Platform fits 12" to 30" Poles With walkways and nine 8' pipes	Ea	\$5732	1459
5.927.0060.112	15' Platform fits 12" to 30" Poles With walkways and twelve 8' pipes	Ea	\$6198	1580
5.927.0060.201	15' Platform fits 12" to 30" Poles With three double walkways	Ea	\$5375	1332
5.927.0060.206	15' Platform fits 12" to 30" Poles With dbl. walkways and six 8' pipes	Ea	\$6307	1573
5.927.0060.209	15' Platform fits 12" to 30" Poles With dbl. walkways and nine 8' pipes	Ea	\$6773	1693
5.927.0060.212	15' Platform fits 12" to 30" Poles With dbl. walkways and twelve 8' pipes	Ea	\$7239	1813
15' Platforms - fits 30" to 48" OD Poles				
5.927.0062.001	15' Platform fits 30" to 48" Poles	Ea	\$3678	938
5.927.0062.006	15' Platform fits 30" to 48" Poles With six 2 ³ / ₈ " x 8' pipes	Ea	\$4610	1178
5.927.0062.009	15' Platform fits 30" to 48" Poles With nine 2 ³ / ₈ " x 8' pipes	Ea	\$5076	1299
5.927.0062.012	15' Platform fits 30" to 48" Poles With twelve 2 ³ / ₈ " x 8' pipes	Ea	\$5543	1419
5.927.0062.101	15' Platform fits 30" to 48" Poles With three walkways	Ea	\$4623	1148
5.927.0062.106	15' Platform fits 30" to 48" Poles With walkways and six 8' pipes	Ea	\$5555	1388
5.927.0062.109	15' Platform fits 30" to 48" Poles With walkways and nine 8' pipes	Ea	\$6021	1508
5.927.0062.112	15' Platform fits 30" to 48" Poles With walkways and twelve 8' pipes	Ea	\$6488	1628
5.927.0062.201	15' Platform fits 30" to 48" Poles With three double walkways	Ea	\$5702	1405
5.927.0062.206	15' Platform fits 30" to 48" Poles With dbl. walkways and six 8' pipes	Ea	\$6635	1645
5.927.0062.209	15' Platform fits 30" to 48" Poles With dbl. walkways and nine 8' pipes	Ea	\$7101	1766
5.927.0062.212	15' Platform fits 30" to 48" Poles With dbl. walkways and twelve 8' pipes	Ea	\$7567	1886

Kit #	Description	Qty	List Price	Wt
15' Platforms - fits 48" to 60" OD Poles				
5.927.0064.001	15' Platform fits 48" to 60" Poles	Ea	\$3615	914
5.927.0064.006	15' Platform fits 48" to 60" Poles With six 2 ³ / ₈ " x 8' pipes	Ea	\$4547	1155
5.927.0064.009	15' Platform fits 48" to 60" Poles With nine 2 ³ / ₈ " x 8' pipes	Ea	\$5013	1275
5.927.0064.012	15' Platform fits 48" to 60" Poles With twelve 2 ³ / ₈ " x 8' pipes	Ea	\$5480	1395
5.927.0064.101	15' Platform fits 48" to 60" Poles With three walkways	Ea	\$4560	1124
5.927.0064.106	15' Platform fits 48" to 60" Poles With walkways and six 8' pipes	Ea	\$5492	1364
5.927.0064.109	15' Platform fits 48" to 60" Poles With walkways and nine 8' pipes	Ea	\$5958	1484
5.927.0064.112	15' Platform fits 48" to 60" Poles With walkways and twelve 8' pipes	Ea	\$6425	1605
5.927.0064.201	15' Platform fits 48" to 60" Poles With three double walkways	Ea	\$5677	1393
5.927.0064.206	15' Platform fits 48" to 60" Poles With dbl. walkways and six 8' pipes	Ea	\$6609	1634
5.927.0064.209	15' Platform fits 48" to 60" Poles With dbl. walkways and nine 8' pipes	Ea	\$7076	1754
5.927.0064.212	15' Platform fits 48" to 60" Poles With dbl. walkways and twelve 8' pipes	Ea	\$7542	1874

Antenna Mounts

Low Profile Rotatable Spine Mounts

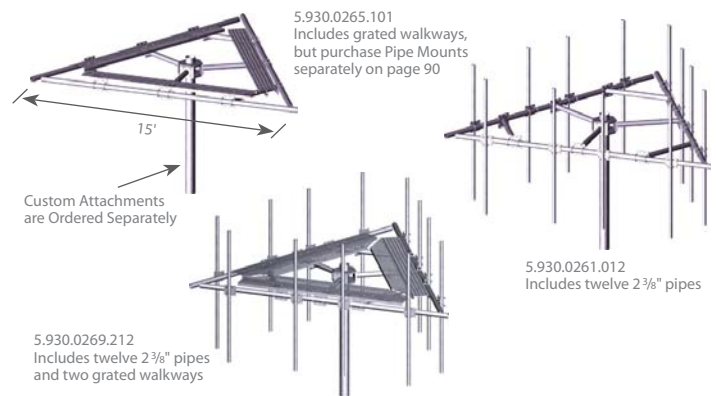
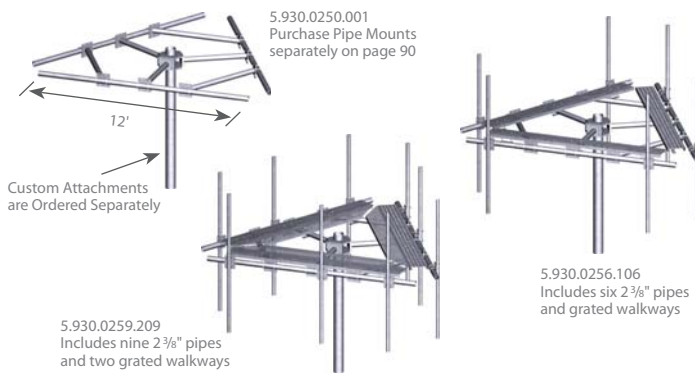
The Low Profile Rotatable Spine Mounts are very similar to our monopole co-location platforms (page 36), but modified to mate to the top of either self-supporting or guyed towers.

This top mounted solution is offered in standard 12' or 15' widths, and optional items include single or double grated walkways for worker access, and 2³/₈" x 8' antenna pipe mounts (six, nine, or twelve).

SOLD SEPARATELY and CUSTOM MADE are the attachments from the rotatable spine to the tower. Please call us to identify the correct attachment hardware, as this varies for each site.

All material is hot dip galvanized to weather the elements.

Quick Guide			
Size	12' and 15' overall widths	Mounts to	Top of guyed or self-supporting towers
Design	U-bolt design and welded spine	Material	Hot dip galvanized steel
Feature	Low profile mount	Order Separately	Additional pipe mounts on page 90



Kit #	Description	Qty	List Price	Wt
12' Low Profile Rotatable Spine Assemblies				
5.930.0250.001	12' Low Profile Rotatable Spine Kit	Ea	\$3044	834
5.930.0251.006	12' Low Profile Rotatable Spine Kit with six 2 ³ / ₈ " x 8' pipes	Ea	\$3976	1074
5.930.0251.009	12' Low Profile Rotatable Spine Kit with nine 2 ³ / ₈ " x 8' pipes	Ea	\$4442	1194
5.930.0251.012	12' Low Profile Rotatable Spine Kit with twelve 2 ³ / ₈ " x 8' pipes	Ea	\$4908	1314
12' Low Profile Rotatable Spine – Single Platform Assemblies				
5.930.0255.101	12' Low Profile Spine Platform Kit	Ea	\$3989	1043
5.930.0256.106	12' Low Profile Spine Platform Kit with walkways and six 2 ³ / ₈ " x 8' pipes	Ea	\$4921	1284
5.930.0256.109	12' Low Profile Spine Platform Kit with walkways and nine 2 ³ / ₈ " x 8' pipes	Ea	\$5387	1404
5.930.0256.112	12' Low Profile Spine Platform Kit with walkways and twelve 2 ³ / ₈ " x 8' pipes	Ea	\$5853	1524
12' Low Profile Rotatable Spine – Double Platform Assemblies				
5.930.0258.201	12' Low Profile Spine Platform Kit	Ea	\$5043	1229
5.930.0259.206	12' Low Profile Spine Platform Kit with dbl. walkways and (6) 2 ³ / ₈ " x 8' pipes	Ea	\$5975	1469
5.930.0259.209	12' Low Profile Spine Platform Kit with dbl. walkways and (9) 2 ³ / ₈ " x 8' pipes	Ea	\$6441	1589
5.930.0259.212	12' Low Profile Spine Platform Kit with dbl. walkways and (12) 2 ³ / ₈ " x 8' pipes	Ea	\$6908	1710

Note: Attachment from spine to tower SOLD SEPARATELY.

Kit #	Description	Qty	List Price	Wt
15' Low Profile Rotatable Spine Assemblies				
5.930.0260.001	15' Low Profile Rotatable Spine Kit	Ea	\$3233	905
5.930.0261.006	15' Low Profile Rotatable Spine Kit with six 2 ³ / ₈ " x 8' pipes	Ea	\$4165	1146
5.930.0261.009	15' Low Profile Rotatable Spine Kit with nine 2 ³ / ₈ " x 8' pipes	Ea	\$4631	1266
5.930.0261.012	15' Low Profile Rotatable Spine Kit with twelve 2 ³ / ₈ " x 8' pipes	Ea	\$5097	1386
15' Low Profile Rotatable Spine – Single Platform Assemblies				
5.930.0265.101	15' Low Profile Spine Platform Kit	Ea	\$4178	1115
5.930.0266.106	15' Low Profile Spine Platform Kit with walkways and six 2 ³ / ₈ " x 8' pipes	Ea	\$5110	1355
5.930.0266.109	15' Low Profile Spine Platform Kit with walkways and nine 2 ³ / ₈ " x 8' pipes	Ea	\$5576	1475
5.930.0266.112	15' Low Profile Spine Platform Kit with walkways and twelve 2 ³ / ₈ " x 8' pipes	Ea	\$6042	1596
15' Low Profile Rotatable Spine – Double Platform Assemblies				
5.930.0268.201	15' Low Profile Spine Platform Kit	Ea	\$5232	1301
5.930.0269.206	15' Low Profile Spine Platform Kit with dbl. walkways and (6) 2 ³ / ₈ " x 8' pipes	Ea	\$6164	1541
5.930.0269.209	15' Low Profile Spine Platform Kit with dbl. walkways and (9) 2 ³ / ₈ " x 8' pipes	Ea	\$6630	1661
5.930.0269.212	15' Low Profile Spine Platform Kit with dbl. walkways and (12) 2 ³ / ₈ " x 8' pipes	Ea	\$7097	1781

Note: Attachment from spine to tower SOLD SEPARATELY.

Trylon 21 South Field Drive, Elmira, ON N3B 0A6

P: 519.669.5421 F: 519.669.8912 E: info@trylon.com W: www.trylon.com

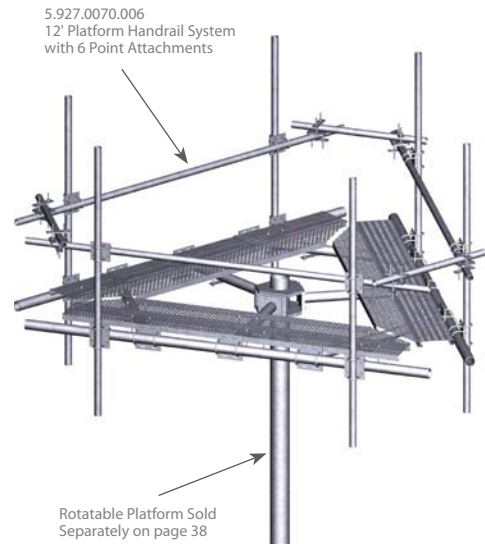
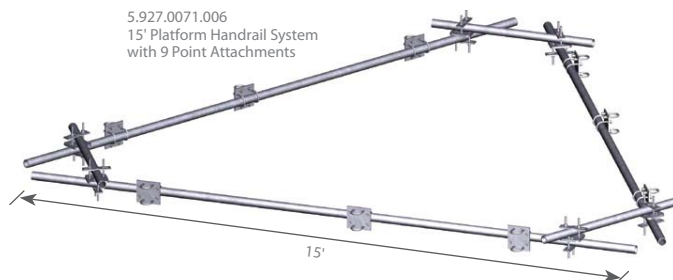
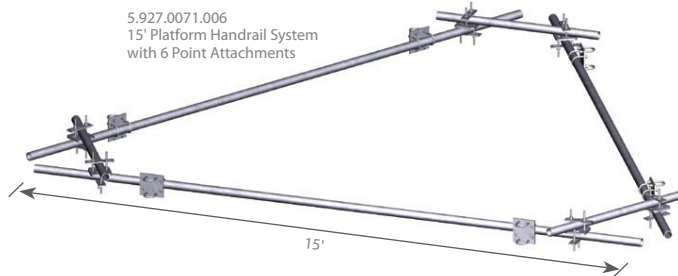
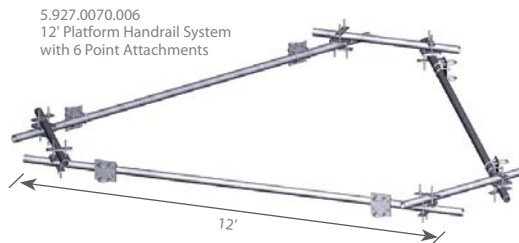
Antenna Mounts

Handrails for Low Profile Platforms

Trylon Handrail systems provide an enclosed working area for increased personnel safety, while also adapting both our monopole and rotatable co-location platforms to allow two attachment points for pipe mount kits.

This solution is offered in both 12' and 15' widths, and in various point attachment applications (six, nine, or twelve) that connect to our standard 2³/₈" OD pipes.

All parts are hot dip galvanized to provide corrosion protection in all environmental conditions.



Quick Guide

Size	12' and 15' overall widths	Mounts to	Low Profile Platforms (Monopole or Rotatable)
Design	U-bolt design	Material	Hot dip galvanized steel
Feature	Allows 2 pipe mounting points	Order Separately	Low Profile Platforms on pages 36-37

Kit #	Description	Qty	List Price	Wt
12' Platform Handrail Systems				
5.927.0070.006	12' Platform Handrail – 6 Point	Ea	\$1274	312
5.927.0070.009	12' Platform Handrail – 9 Point	Ea	\$1426	336
5.927.0070.012	12' Platform Handrail – 12 Point	Ea	\$1577	360
15' Platform Handrail Systems				
5.927.0071.006	15' Platform Handrail – 6 Point	Ea	\$1300	324
5.927.0071.009	15' Platform Handrail – 9 Point	Ea	\$1451	347
5.927.0071.012	15' Platform Handrail – 12 Point	Ea	\$1602	371

Rotatable Spine Mounting Attachments

Each Rotatable Spine Mounting Attachment is custom made to fit your tower. Depending on the face width, leg size, and if horizontal members exist. Trylon can customize a solution to fit your needs.

Please call us for more information on how to attach to your tower.

Antenna Mounts

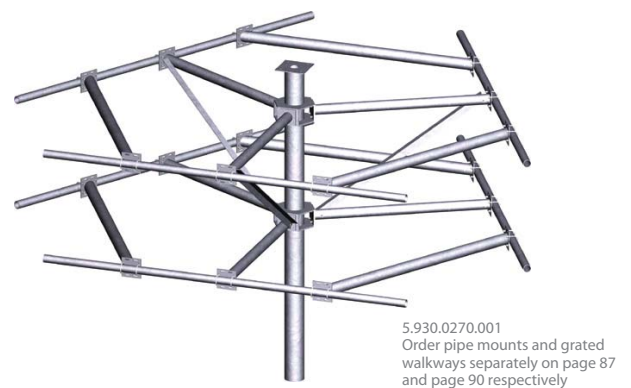
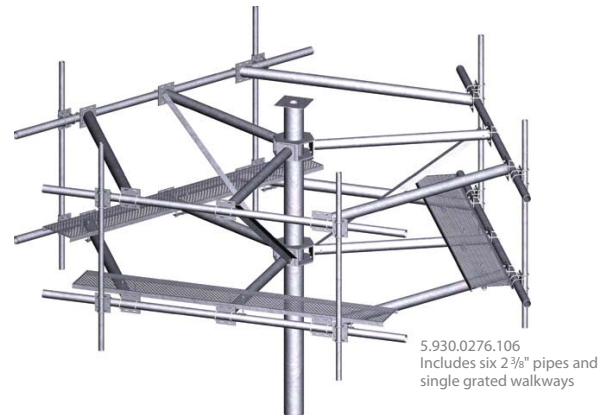
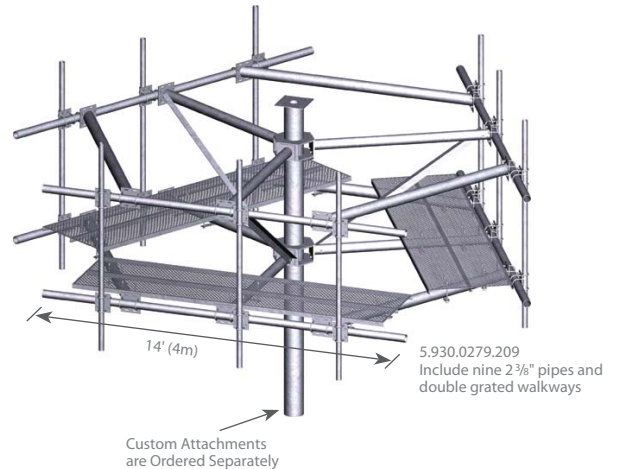
2-Level Rotatable Spine Mounts

The 2-Level Rotatable Spine Mounts are very similar to the low profile rotatable spine mounts in that they mate to the top of either self-supporting or guyed towers. However, the additional level of horizontal attachment allows for both larger face widths (antenna separation) and overall increased antenna loading capability.

This top mounted solution is offered in three standard widths: 14' (4m), 17' (5m) and 21' (6m). Single or double grated walkways for worker access, can be added along with six/nine/twelve 2 3/8" x 10' antenna pipe mounts. If longer pipes are required, then the basic model can be purchased along with longer pipe mounts offered on page 90.

SOLD SEPARATELY and **CUSTOM MADE** are the attachments from the rotatable spine to the tower. Please call us to identify the correct attachment hardware, as this varies for each site.

All material is hot dip galvanized to weather the elements.



Quick Guide			
Size	14', 17', 21' widths (4m, 5m, 6m widths)	Mounts to	Top of guyed or self-supporting towers
Design	U-bolt design and welded spine	Material	Hot dip galvanized steel
Feature	Multi-Level Sector Application	Order Separately	Additional pipe mounts on page 90

Kit #	Description	Qty	List Price	Wt
14' (4m) 2-Level Rotatable Spine Assemblies				
5.930.0270.001	14' Low Profile Rotatable Spine Kit	Ea	\$8806	2569
5.930.0271.006	14' Low Profile Rotatable Spine Kit with six 2 3/8" x 10' pipes	Ea	\$10199	2912
5.930.0271.009	14' Low Profile Rotatable Spine Kit with nine 2 3/8" x 10' pipes	Ea	\$10896	3083
5.930.0271.012	14' Low Profile Rotatable Spine Kit with twelve 2 3/8" x 10' pipes	Ea	\$11592	3254
14' (4m) 2-Level Rotatable Spine – Single Platform Assemblies				
5.930.0275.101	14' Low Profile Spine Platform Kit	Ea	\$10151	2903
5.930.0276.106	14' Low Profile Spine Platform Kit with walkways and six 2 3/8" x 10' pipes	Ea	\$11544	3245
5.930.0276.109	14' Low Profile Spine Platform Kit with walkways and nine 2 3/8" x 10' pipes	Ea	\$12240	3416
5.930.0276.112	14' Low Profile Spine Platform Kit with walkways and twelve 2 3/8" x 10' pipes	Ea	\$12937	3588
14' (4m) 2-Level Rotatable Spine – Double Platform Assemblies				
5.930.0278.201	14' Low Profile Spine Platform Kit	Ea	\$11495	3236
5.930.0279.206	14' Low Profile Spine Platform Kit with dbl. walkways and (6) 2 3/8" x 10' pipes	Ea	\$12888	3579
5.930.0279.209	14' Low Profile Spine Platform Kit with dbl. walkways and (9) 2 3/8" x 10' pipes	Ea	\$13585	3750
5.930.0279.212	14' Low Profile Spine Platform Kit with dbl. walkways and (12) 2 3/8" x 10' pipes	Ea	\$14282	3921

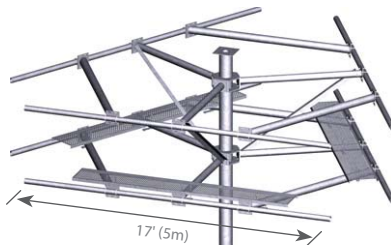
Note: Attachment from spine to tower **SOLD SEPARATELY**.

Trylon 21 South Field Drive, Elmira, ON N3B 0A6

P: 519.669.5421 F: 519.669.8912 E: info@trylon.com W: www.trylon.com

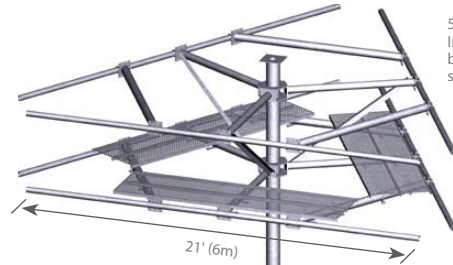
Antenna Mounts

2-Level Rotatable Spine Mounts *continued*



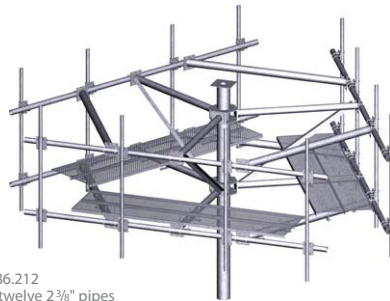
5.930.0285.101
Includes grated walkways,
but purchase pipe mounts
separately on page 90

Custom Attachments
are Ordered Separately

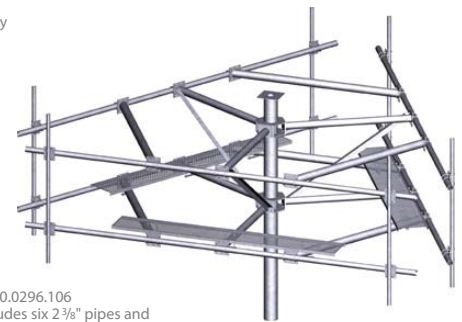


5.930.0298.201
Includes two grated walkways,
but purchase pipe mounts
separately on page 90

Custom Attachments
are Ordered Separately



5.930.0286.212
Includes twelve 2³/₈" pipes
and
double grated walkways



5.930.0296.106
Includes six 2³/₈" pipes and
single grated walkways

Kit #	Description	Qty	List Price	Wt
17' (5m) 2-Level Rotatable Spine Assemblies				
5.930.0280.001	17' Low Profile Rotatable Spine Kit	Ea	\$9179	2712
5.930.0281.006	17' Low Profile Rotatable Spine Kit with six 2 ³ / ₈ " x 10' pipes	Ea	\$10572	3055
5.930.0281.009	17' Low Profile Rotatable Spine Kit with nine 2 ³ / ₈ " x 10' pipes	Ea	\$11268	3226
5.930.0281.012	17' Low Profile Rotatable Spine Kit with twelve 2 ³ / ₈ " x 10' pipes	Ea	\$11965	3397
17' (5m) 2-Level Rotatable Spine – Single Platform Assemblies				
5.930.0285.101	17' Low Profile Spine Platform Kit	Ea	\$10523	3046
5.930.0286.106	17' Low Profile Spine Platform Kit with walkways and six 2 ³ / ₈ " x 10' pipes	Ea	\$11916	3388
5.930.0286.109	17' Low Profile Spine Platform Kit with walkways and nine 2 ³ / ₈ " x 10' pipes	Ea	\$12613	3560
5.930.0286.112	17' Low Profile Spine Platform Kit with walkways and twelve 2 ³ / ₈ " x 10' pipes	Ea	\$13310	3731
17' (5m) 2-Level Rotatable Spine – Double Platform Assemblies				
5.930.0288.201	17' Low Profile Spine Platform Kit	Ea	\$11868	3380
5.930.0289.206	17' Low Profile Spine Platform Kit with dbl. walkways and (6) 2 ³ / ₈ " x 10' pipes	Ea	\$13261	3722
5.930.0289.209	17' Low Profile Spine Platform Kit with dbl. walkways and (9) 2 ³ / ₈ " x 10' pipes	Ea	\$13958	3893
5.930.0289.212	17' Low Profile Spine Platform Kit with dbl. walkways and (12) 2 ³ / ₈ " x 10' pipes	Ea	\$14654	4065

Note: Attachment from spine to tower SOLD SEPARATELY.

Kit #	Description	Qty	List Price	Wt
21' (6m) 2-Level Rotatable Spine Assemblies				
5.930.0290.001	21' Low Profile Rotatable Spine Kit	Ea	\$9665	2903
5.930.0291.006	21' Low Profile Rotatable Spine Kit with six 2 ³ / ₈ " x 10' pipes	Ea	\$11058	3246
5.930.0291.009	21' Low Profile Rotatable Spine Kit with nine 2 ³ / ₈ " x 10' pipes	Ea	\$11754	3417
5.930.0291.012	21' Low Profile Rotatable Spine Kit with twelve 2 ³ / ₈ " x 10' pipes	Ea	\$12451	3588
21' (6m) 2-Level Rotatable Spine – Single Platform Assemblies				
5.930.0295.101	21' Low Profile Spine Platform Kit	Ea	\$11009	3237
5.930.0296.106	21' Low Profile Spine Platform Kit with walkways and six 2 ³ / ₈ " x 10' pipes	Ea	\$12402	3580
5.930.0296.109	21' Low Profile Spine Platform Kit with walkways and nine 2 ³ / ₈ " x 10' pipes	Ea	\$13099	3751
5.930.0296.112	21' Low Profile Spine Platform Kit with walkways and twelve 2 ³ / ₈ " x 10' pipes	Ea	\$13796	3922
21' (6m) 2-Level Rotatable Spine – Double Platform Assemblies				
5.930.0298.201	21' Low Profile Spine Platform Kit	Ea	\$12354	3571
5.930.0299.206	21' Low Profile Spine Platform Kit with dbl. walkways and (6) 2 ³ / ₈ " x 10' pipes	Ea	\$13747	3913
5.930.0299.209	21' Low Profile Spine Platform Kit with dbl. walkways and (9) 2 ³ / ₈ " x 10' pipes	Ea	\$14444	4084
5.930.0299.212	21' Low Profile Spine Platform Kit with dbl. walkways and (12) 2 ³ / ₈ " x 10' pipes	Ea	\$15140	4256

Note: Attachment from spine to tower SOLD SEPARATELY.

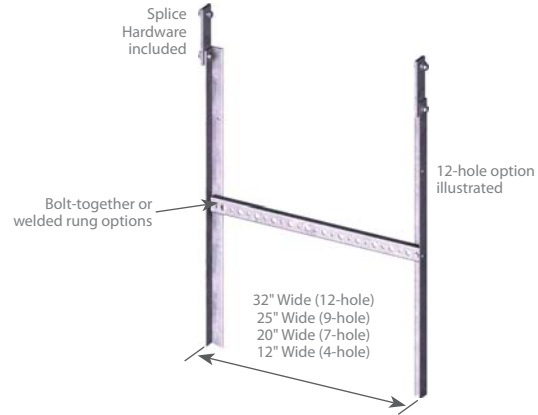
Transmission Line Supports

Cable Ladders

Trylon's cable ladders can be either your light duty or heavy duty waveguide ladder of choice. It's foldable for easy rigging and installation and available in 10' and 20' lengths. It can be installed to any tower structure or attachment span.

The support rungs are offered in four sizes and can accommodate 3/4" snap-in hangers or 7/16" butterfly hangers. The holes are spaced to fit large LDF12 lines, while our 12-hole ladder options area available in both 4' and 3' centres for those areas where site conditions require extra support or heavy line loading.

All material is hot dip galvanized to weather the elements.



See page 43 for mating the correct backing hardware with these ladder assemblies



Quick Guide			
Size	10' and 20' sections offered in various widths	Mounts to	Angle or round tower bracing
Design	Bolt and welded together	Material	Hot dip galvanized steel
Feature	Can connect to any span tower section	Order Separately	Backing Assembly Kits page 43

Kit #	Description	Qty	List Price	Wt
10' Cable Ladders (bolt-together)				
5.939.0011.001	10' Small Cable Ladder, three 12-hole rungs and splice hardware	Ea	\$204	50
5.939.0017.009	10' Small Cable Ladder, three 9-hole rungs and splice hardware	Ea	\$184	47
5.939.0017.007	10' Small Cable Ladder, three 7-hole rungs and splice hardware	Ea	\$180	45
5.939.0017.004	10' Small Cable Ladder, three 4-hole rungs and splice hardware	Ea	\$167	42
20' Cable Ladders (bolt-together) with 5 rungs				
5.939.0012.001	20' Small Cable Ladder, five 12-hole rungs and splice hardware	Ea	\$343	94
5.939.0018.009	20' Small Cable Ladder, five 9-hole rungs and splice hardware	Ea	\$309	89
5.939.0018.007	20' Small Cable Ladder, five 7-hole rungs and splice hardware	Ea	\$302	85
5.939.0018.004	20' Small Cable Ladder, five 4-hole rungs and splice hardware	Ea	\$282	80
5.939.0013.001	20' Medium Cable Ladder, five 12-hole rungs and splice hardware	Ea	\$508	180
5.939.0014.001	20' Large Cable Ladder, five 12-hole rungs and splice hardware	Ea	\$788	299
20' Cable Ladders (bolt-together) with 7 rungs				
5.939.0012.011	20' Small Cable Ladder, seven 12-hole rungs and splice hardware	Ea	\$408	104
5.939.0013.011	20' Medium Cable Ladder, seven 12-hole rungs and splice hardware	Ea	\$572	189
5.939.0014.011	20' Large Cable Ladder, seven 12-hole rungs and splice hardware	Ea	\$853	308

Kit #	Description	Qty	List Price	Wt
Welded Cable Ladders				
5.939.0015.001	10' Small Welded Cable Ladder, three 12-hole rungs and splice hardware	Ea	\$172	50
5.939.0016.001	20' Small Welded Cable Ladder, five 12-hole rungs and splice hardware	Ea	\$293	93

Trylon 21 South Field Drive, Elmira, ON N3B 0A6

P: 519.669.5421 F: 519.669.8912 E: info@trylon.com W: www.trylon.com

Transmission Line Supports

Cable Ladder Attachment Kits

Trylon offers several backing clip assemblies that allow the cable ladder to be securely mounted to angle or round members of various sizes (see size information in the below price tables).

One attachment kit per 10' section is recommended as a minimum requirement. However, more attachments may be required for heavier loading situations. Call us to see if your site requires more than the minimum number of attachments kits.

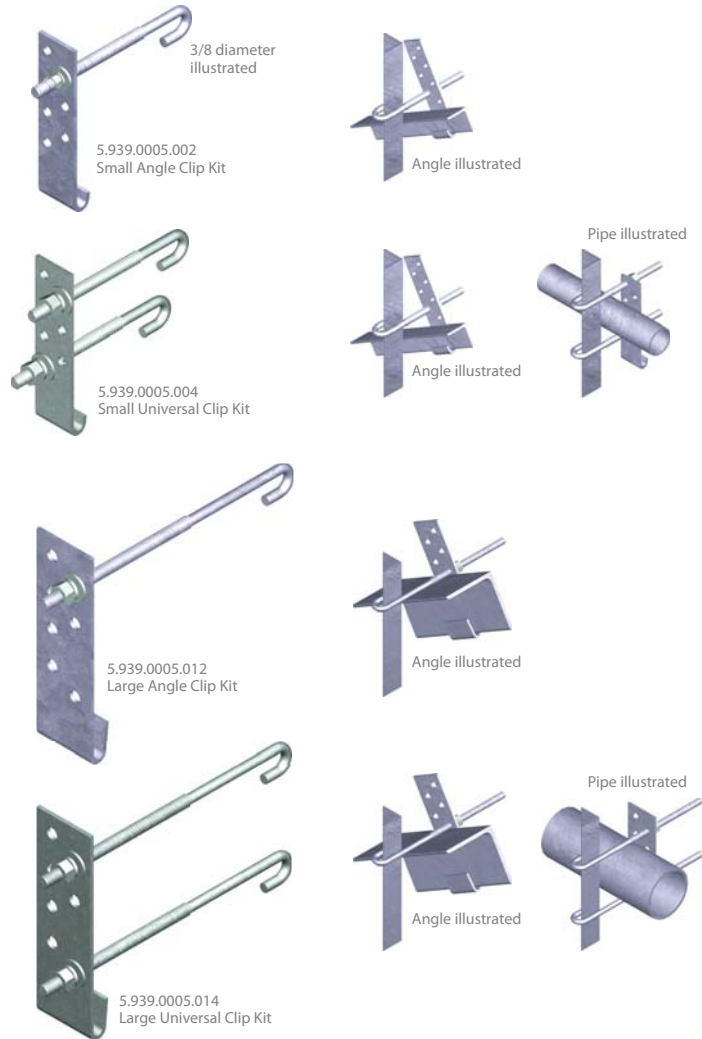
All material is hot dip galvanized after fabrication.

Quick Guide

Size	Four versions for various applications	Mounts to	Angle or round tower members
Design	Attach cable ladder to tower members	Material	Hot dip galvanized steel
Feature	Fits a wide range of member sizes	Order Separately	Cable Ladder

Kit #	Description	Qty	List Price	Wt
Small Clip Assemblies				
5.939.0005.002	Small Angle Clip Kit for angle members up to 4" in size*, or round members up to 4½" OD	Ea	\$16	1.3
5.939.0005.004	Small Universal Clip Kit for angle members up to 4" to 8" in size*	Ea	\$23	1.7
Large Clip Assemblies				
5.939.0005.012	Large Angle Clip Kit for angle members up to 4" in size*	Ea	\$34	2.9
5.939.0005.014	Large Universal Clip Kit for angle members up to 4" to 8" in size*, or round members up to 6" OD	Ea	\$47	3.9

* Except for our 4" cable rail option, then the small clip fits up to 3½" angles.



Cable Ladder Extension Bracket

This unique attachment bracket extends transmission line capacity by mounting directly to existing Trylon cable ladder rungs. The support bracket can mount up to an additional ten 3/4" snap-in hangers or thirteen 7/16" butterfly hangers. However, for installation, two 3/4" holes on the existing ladder rungs will be required for mounting the extension bracket.

All material is hot dip galvanized for corrosion resistance in any environmental condition.

Kit #	Description	Qty	List Price	Wt
Extension Bracket				
5.939.0006.001	Cable Ladder Extension Bracket With attachment hardware	Ea	\$52	6.4

Quick Guide			
Size	Ten 3/4" holes and thirteen 7/16" holes	Mounts to	Trylon Cable Ladders
Design	Durable channel and sleeved bolts	Material	Hot dip galvanized steel
Feature	Economical tx line expansion	Order Separately	Cable Ladder

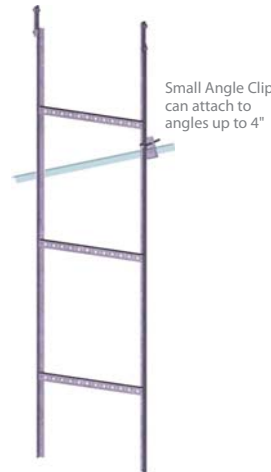


Transmission Line Supports

Cable Ladder Assemblies

Instead of ordering the cable ladder and backing hardware separately, the cable ladders on this page are pre-packaged with an array of backing assemblies to make ordering easier. See page 43 for correct backing assembly to member size.

Kit #	Description	Qty	List Price	Wt
1 3/4" x 10' Cable Ladder Kits with 4' or 3' centred rungs				
5.939.0011.002	1 3/4" x 10' Cable Ladder, three 12 hole rungs and splice hardware Includes one Small Angle Clip	Ea	\$224	52
5.939.0011.003	1 3/4" x 10' Cable Ladder, three 12 hole rungs and splice hardware Includes one Large Angle Clip	Ea	\$238	53
5.939.0011.005	1 3/4" x 10' Cable Ladder, three 12 hole rungs and splice hardware Includes one Small Universal Clip	Ea	\$230	52



5.939.0011.002



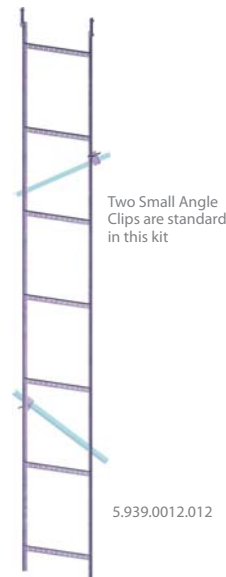
5.939.0011.003



5.939.0012.002



5.939.0012.005



5.939.0012.012



5.939.0012.015

Kit #	Description	Qty	List Price	Wt
1 3/4" x 20' Cable Ladder Kits with 4' centred rungs				
5.939.0012.002	1 3/4" x 20' Cable Ladder, five 12 hole rungs and splice hardware includes two Small Angle Clips	Ea	\$381	97
5.939.0012.003	1 3/4" x 20' Cable Ladder, five 12 hole rungs and splice hardware includes two Large Angle Clips	Ea	\$409	100
5.939.0012.005	1 3/4" x 20' Cable Ladder, five 12 hole rungs and splice hardware includes two Small Universal Clips	Ea	\$392	98

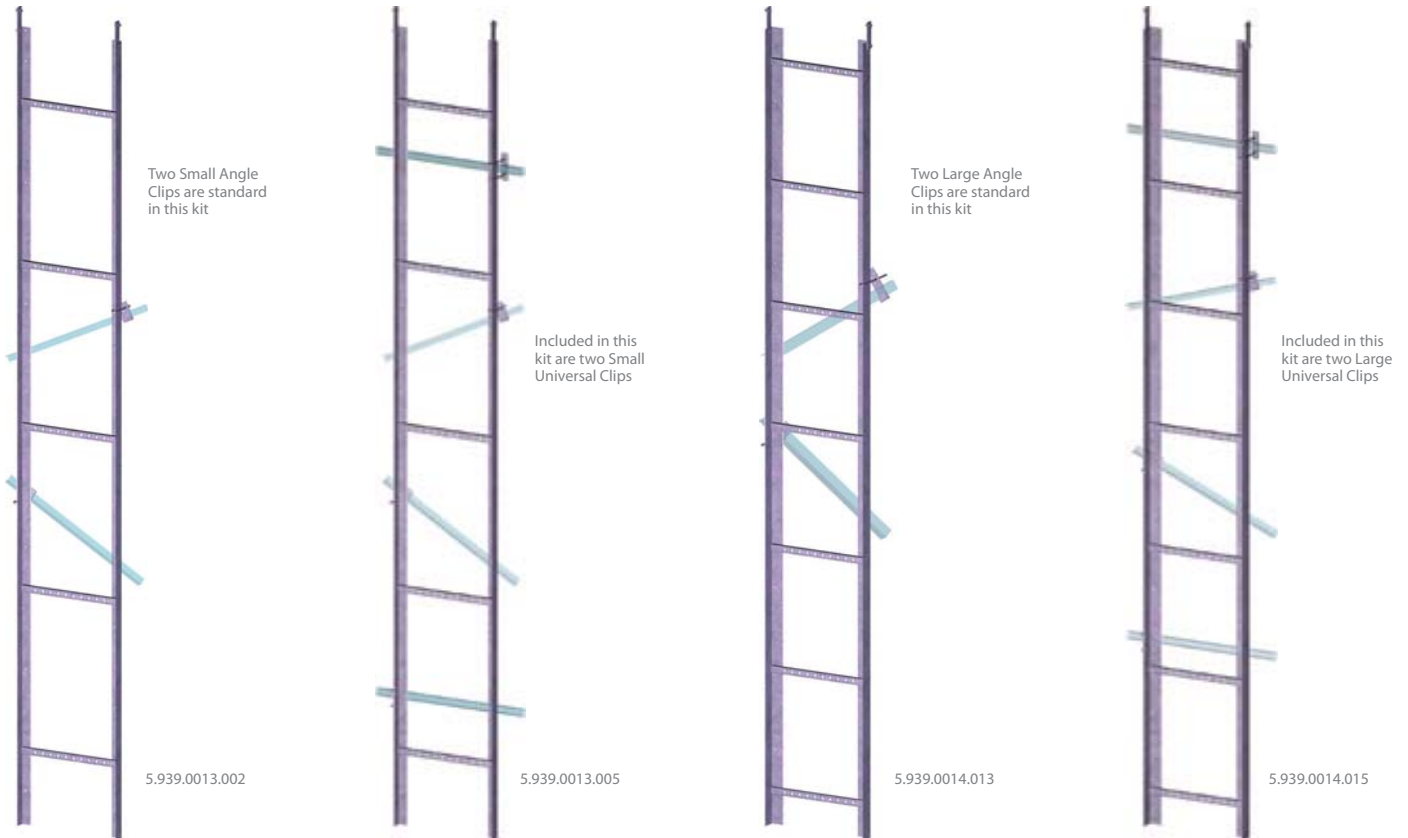
Kit #	Description	Qty	List Price	Wt
1 3/4" x 20' Cable Ladder Kits with 3' centred rungs				
5.939.0012.012	1 3/4" x 20' Cable Ladder, seven 12 hole rungs and splice hardware includes two Small Angle Clips	Ea	\$448	106
5.939.0012.013	1 3/4" x 20' Cable Ladder, seven 12 hole rungs and splice hardware includes two Large Angle Clips	Ea	\$476	109
5.939.0012.015	1 3/4" x 20' Cable Ladder, seven 12 hole rungs and splice hardware includes two Small Universal Clips	Ea	\$459	107

Trylon 21 South Field Drive, Elmira, ON N3B 0A6

P: 519.669.5421 F: 519.669.8912 E: info@trylon.com W: www.trylon.com

Transmission Line Supports

Cable Ladder Assemblies continued



Kit #	Description	Qty	List Price	Wt
3" x 20' Cable Ladder Kits with 4' centred rungs				
5.939.0013.002	3" x 20' Cable Ladder, five 12 hole rungs and splice hardware includes two Small Angle Clips	Ea	\$512	182
5.939.0013.003	3" x 20' Cable Ladder, five 12 hole rungs and splice hardware includes two Large Angle Clips	Ea	\$538	185
5.939.0013.005	3" x 20' Cable Ladder, five 12 hole rungs and splice hardware includes two Small Universal Clips	Ea	\$523	183
3" x 20' Cable Ladder Kits with 3' centred rungs				
5.939.0013.012	3" x 20' Cable Ladder, seven 12 hole rungs and splice hardware includes two Small Angle Clips	Ea	\$575	191
5.939.0013.013	3" x 20' Cable Ladder, seven 12 hole rungs and splice hardware includes two Large Angle Clips	Ea	\$601	195
5.939.0013.015	3" x 20' Cable Ladder, seven 12 hole rungs and splice hardware includes two Small Universal Clips	Ea	\$585	192

Kit #	Description	Qty	List Price	Wt
4" x 20' Cable Ladder Kits with 4' centred rungs				
5.939.0014.002	4" x 20' Cable Ladder, five 12 hole rungs and splice hardware includes two Small Angle Clips	Ea	\$722	301
5.939.0014.003	4" x 20' Cable Ladder, five 12 hole rungs and splice hardware includes two Large Angle Clips	Ea	\$746	305
5.939.0014.005	4" x 20' Cable Ladder, five 12 hole rungs and splice hardware includes two Large Universal Clips	Ea	\$763	307
4" x 20' Cable Ladder Kits with 3' centred rungs				
5.939.0014.012	4" x 20' Cable Ladder, seven 12 hole rungs and splice hardware includes two Small Angle Clips	Ea	\$780	311
5.939.0014.013	4" x 20' Cable Ladder, seven 12 hole rungs and splice hardware includes two Large Angle Clips	Ea	\$804	314
5.939.0014.015	4" x 20' Cable Ladder, seven 12 hole rungs and splice hardware includes two Large Universal Clips	Ea	\$821	316

Transmission Line Supports

Cable Ladder Assemblies continued

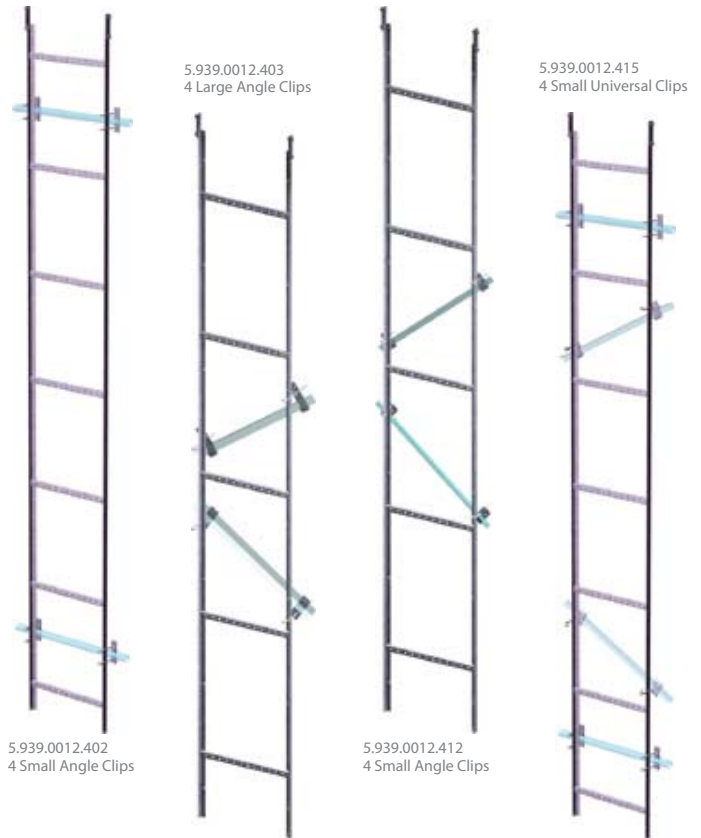
These new Cable Ladders have twice as many standard backing assemblies for added strength, durability and security in high wind regions.

The 10' sections are available with 2 backing assemblies, whereas the 20' sections are available with 4 backing assemblies. Both lengths are also available with 4' or 3' centred rungs to better match site conditions.

All material is hot dip galvanized to weather the elements.

(Note: See page 43 of our standard catalogue for correct backing assembly to tower member size.)

Quick Guide			
Size	10' and 20' sections	Mounts to	Angle or round tower bracing
Design	High wind areas	Material	Hot dip galvanized steel
Feature	Can attach to any span tower section	Order Separately	N/A



5.939.0011.202
2 Small Angle Clips



5.939.0011.203
2 Large Angle Clips



5.939.0011.205
2 Small Universal Clips



Kit #	Description	Qty	List Price	Wt
1 3/4" x 10' Cable Ladder Kits with 4' or 3' centred rungs				
5.939.0011.202	1 3/4" x 10' Cable Ladder, three 12 hole runs and splice hardware, includes two Small Angle Clips	Ea	\$237	53
5.939.0011.203	1 3/4" x 10' Cable Ladder, three 12 hole runs and splice hardware, includes two Large Angle Clips	Ea	\$265	56
5.939.0011.205	1 3/4" x 10' Cable Ladder, three 12 hole runs and splice hardware, includes two Small Universal Clips	Ea	\$248	54

Kit #	Description	Qty	List Price	Wt
1 3/4" x 20' Cable Ladder Kits with 4' centred rungs				
5.939.0012.402	1 3/4" x 20' Cable Ladder, five 12 hole runs and splice hardware, includes four Small Angle Clips	Ea	\$406	100
5.939.0012.403	1 3/4" x 20' Cable Ladder, five 12 hole runs and splice hardware, includes four Large Angle Clips	Ea	\$462	106
5.939.0012.405	1 3/4" x 20' Cable Ladder, five 12 hole runs and splice hardware, includes four Small Universal Clips	Ea	\$428	101
1 3/4" x 20' Cable Ladder Kits with 3' centred rungs				
5.939.0012.412	1 3/4" x 20' Cable Ladder, seven 12 hole runs and splice hardware, includes four Small Angle Clips	Ea	\$473	109
5.939.0012.413	1 3/4" x 20' Cable Ladder, seven 12 hole runs and splice hardware, includes four Large Angle Clips	Ea	\$529	115
5.939.0012.415	1 3/4" x 20' Cable Ladder, seven 12 hole runs and splice hardware, includes four Small Universal Clips	Ea	\$496	110

Trylon 21 South Field Drive, Elmira, ON N3B 0A6

P: 519.669.5421 F: 519.669.8912 E: info@trylon.com W: www.trylon.com

Transmission Line Supports

Cable Ladder Assemblies continued

The 3" and 4" rail size options kitted on this page are ideal for 10' and 20' tower bracing spans. Contact us to see if line loading or site conditions require our larger cable ladders.



Kit #	Description	Qty	List Price	Wt
3" x 20' Cable Ladder Kits with 4' centred rungs				
5.939.0013.402	3" x 20' Cable Ladder, five 12 hole runs and splice hardware, includes four Small Angle Clips	Ea	\$556	185
5.939.0013.403	3" x 20' Cable Ladder, five 12 hole runs and splice hardware, includes four Large Angle Clips	Ea	\$610	191
5.939.0013.405	3" x 20' Cable Ladder, five 12 hole runs and splice hardware, includes four Small Universal Clips	Ea	\$578	186
3" x 20' Cable Ladder Kits with 3' centred rungs				
5.939.0013.412	3" x 20' Cable Ladder, seven 12 hole runs and splice hardware, includes four Small Angle Clips	Ea	\$621	194
5.939.0013.413	3" x 20' Cable Ladder, seven 12 hole runs and splice hardware, includes four Large Angle Clips	Ea	\$675	200
5.939.0013.415	3" x 20' Cable Ladder, seven 12 hole runs and splice hardware, includes four Small Universal Clips	Ea	\$643	196

Kit #	Description	Qty	List Price	Wt
4" x 20' Cable Ladder Kits with 4' centred rungs				
5.939.0014.402	4" x 20' Cable Ladder, five 12 hole runs and splice hardware, includes four Small Angle Clips	Ea	\$806	304
5.939.0014.403	4" x 20' Cable Ladder, five 12 hole runs and splice hardware, includes four Large Angle Clips	Ea	\$858	310
5.939.0014.405	4" x 20' Cable Ladder, five 12 hole runs and splice hardware, includes four Large Universal Clips	Ea	\$894	314
4" x 20' Cable Ladder Kits with 3' centred rungs				
5.939.0014.412	4" x 20' Cable Ladder, seven 12 hole runs and splice hardware, includes four Small Angle Clips	Ea	\$868	313
5.939.0014.413	4" x 20' Cable Ladder, seven 12 hole runs and splice hardware, includes four Large Angle Clips	Ea	\$920	320
5.939.0014.415	4" x 20' Cable Ladder, seven 12 hole runs and splice hardware, includes four Large Universal Clips	Ea	\$957	324

Transmission Line Supports

Cable Trays

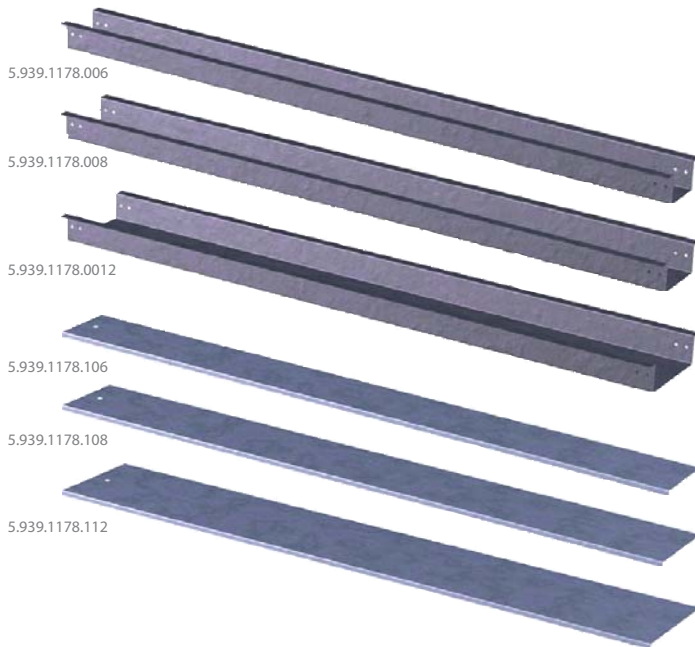
Cable Trays provide support and protection of transmission lines in roof top applications. Their main benefit over traditional roof top coax bridges is that no additional hardware, such as hangers or brackets, are required for transmission line installation as they simply lay inside the tray for routing.

The trays are available in four widths (6", 8", 12", and 18"), and come standard in a 4" deep by 8' long galvanized sheet. Splice hardware and matching screw-down covers are also available and kitted for your purchasing needs.

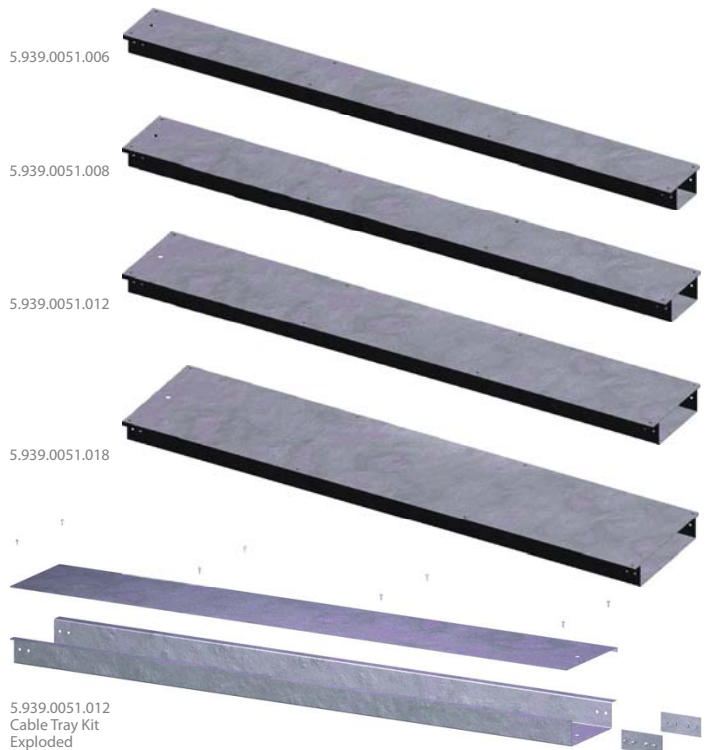
All material is made from galvanized steel for maximum corrosion resistance, except for the stainless steel cover screws.

Quick Guide

Size	Four widths	Mounts to	Concrete or flat surfaces
Design	Durable channel and Bolt-on Splices	Material	Galvanized steel
Feature	No hangers or brackets required	Order Separately	Splices



Kit #	Description	Qty	List Price	Wt
Individual Trays and Covers				
5.939.1178.006	Tray - 6" wide x 4" deep x 8' long	Ea	\$98	29
5.939.1178.008	Tray - 8" wide x 4" deep x 8' long	Ea	\$98	32
5.939.1178.012	Tray - 12" wide x 4" deep x 8' long	Ea	\$98	39
5.939.1178.018	Tray - 18" wide x 4" deep x 8' long	Ea	\$161	50
5.939.1178.106	Cover - 6" wide x 8' long	Ea	\$66	17
5.939.1178.108	Cover - 8" wide x 8' long	Ea	\$66	21
5.939.1178.112	Cover - 12" wide x 8' long	Ea	\$77	28
5.939.1178.118	Cover - 18" wide x 8' long	Ea	\$98	38
Hardware				
5.1209110	3/16" x 3/4" Stainless Steel Self-Drilling/Tapping Screw	10/pk	\$14	0.2



Kit #	Description	Qty	List Price	Wt
Splice Assembly				
5.939.0050.001	Cable Tray Splice Kit	Ea	\$47	1.5
Cable Tray Assemblies				
5.939.0051.006	6" x 8' lg Cable Tray and Cover Kit	Ea	\$177	46
5.939.0051.008	8" x 8' lg Cable Tray and Cover Kit	Ea	\$177	53
5.939.0051.012	12" x 8' lg Cable Tray and Cover Kit	Ea	\$188	67
5.939.0051.018	18" x 8' lg Cable Tray and Cover Kit	Ea	\$272	88

Optional Splice Kit (5.939.0050.001)

Trylon 21 South Field Drive, Elmira, ON N3B 0A6

P: 519.669.5421 F: 519.669.8912 E: info@trylon.com W: www.trylon.com

Transmission Line Supports

Roof Top Coax Bridge Kits

Trylon's Roof Top Coax Bridge Kits are ideal for non-penetrating installations of transmission lines. The galvanized 11ga covers along with three UV-resistant 4" PVC sleepers are available in three widths (4-run, 8-run and 12-run) and come standard in 8' lengths.

The PVC sleepers support the tx lines horizontally on 32" centres while the 3/4" holes for snap-in hangers are spaced far enough to fit large LDF12 (2 1/4") lines.

All hardware included.

Wall Coax Support Kits

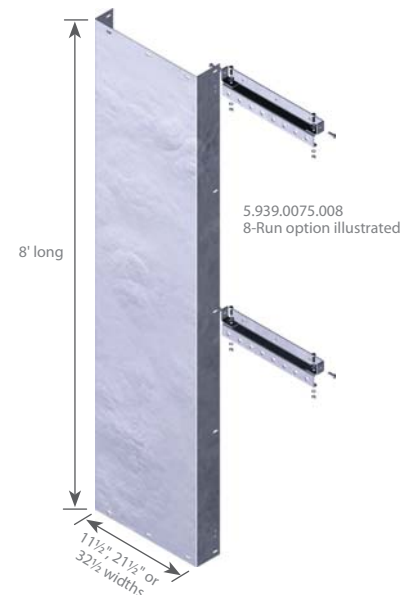
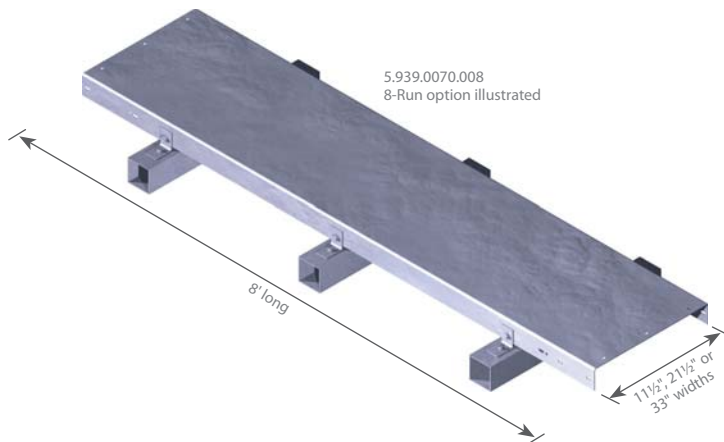
Trylon's Wall Coax Support Kits are the perfect solution for wall mounting transmission lines. The galvanized 11ga covers are available in three widths (4-run, 8-run and 12-run). These 8' long covers easily attach to the two wall brackets using the pre-kitted self-drilling screws.

The galvanized wall brackets have 3/4" holes spaced to fit large LDF12 (2 1/4") transmission lines utilizing standard snap-in hangers (supplied by others).

All hardware included except wall mounting anchors.

Quick Guide			
Size	8' long	Mounts to	Non-penetrating design
Design	Bolt-together system	Material	Galvanized steel and PVC
Feature	4, 8 and 12 tx run versions	Order Separately	--

Quick Guide			
Size	8' long	Mounts to	Non-penetrating design
Design	Bolt-together system	Material	Galvanized steel
Feature	4, 8 and 12 tx run versions	Order Separately	Wall Mount Anchors



Kit #	Description	Qty	List Price	Wt
Roof Top Coax Bridge Kits				
5.939.0070.004	4-Run Roof Top Coax Bridge Kit	Ea	\$458	76
5.939.0070.008	8-Run Roof Top Coax Bridge Kit	Ea	\$613	116
5.939.0070.012	12-Run Roof Top Coax Bridge Kit	Ea	\$915	184

Kit #	Description	Qty	List Price	Wt
Wall Coax Support Kits				
5.939.0075.004	4-Run Roof Top Coax Bridge Kit	Ea	\$272	53
5.939.0075.008	8-Run Roof Top Coax Bridge Kit	Ea	\$339	78
5.939.0075.012	12-Run Roof Top Coax Bridge Kit	Ea	\$490	111

Transmission Line Supports

T-Style Transmission Line Brackets

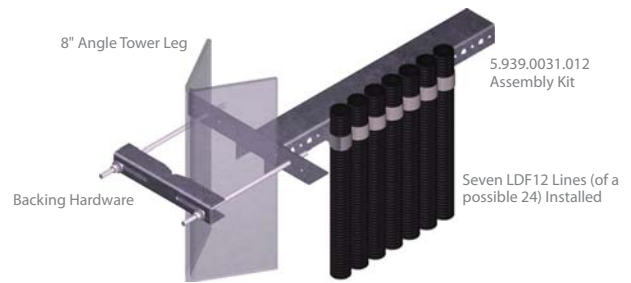
Trylon's T-Style Transmission Line Brackets were specifically designed to mount directly to any type or sized tower leg. Three sizes are available covering numerous leg options. These brackets may be attached to pipes up to 11" OD, or angles up to 8" (60° or 90°) in size.

The three sizes (small, medium and large) are available in three versions to match your specific line requirements. The shortest option can accommodate 8 runs of 3/4" snap-in hangers or 7/16" butterfly hangers, the middle version can handle 16 runs, whereas the longest option offers 24 runs.

These brackets provide unique flexibility for your changing needs and can be installed either inside or outside the tower leg to avoid nagging obstacles such as tower bracing, leg flanges, or splices.

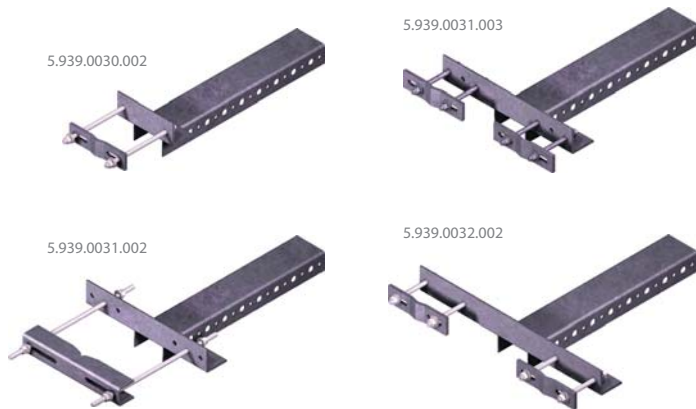
All steel is hot dip galvanized to withstand the elements.

(Note, these brackets are designed to hold LDF12 lines up to 800Pa pressures when installed on 4' centres.)



Quick Guide

Size	Four variations for three versions	Mounts to	See tables below
Design	Welded bracket for LDF12 lines at 800Pa	Material	Hot dip galvanized steel
Feature	Versatile mounting options	Order Separately	Transmission Lines



Kit #	Description	Qty	List Price	Wt
8 Line T-Style Assemblies				
5.939.0030.022	Small T-Style Bracket Kit fits up to 5 5/8" OD rounds, 4" angles and 5" (60°) angle members	Ea	\$87	11
5.939.0031.022	Medium T-Style Bracket Kit fits up to 11" OD rounds, 8" (60° or 90°) angle members	Ea	\$122	20
5.939.0031.023	Medium T-Style Bracket Kit fits two 3" OD round members centred 12" apart	Ea	\$122	18
5.939.0032.022	Large T-Style Bracket Kit fits two 4 1/2" OD round members centred 18" apart	Ea	\$130	22

Kit #	Description	Qty	List Price	Wt
16 Line T-Style Assemblies				
5.939.0030.002	Small T-Style Bracket Kit fits up to 5 5/8" OD rounds, 4" angles and 5" (60°) angle members	Ea	\$99	14
5.939.0031.002	Medium T-Style Bracket Kit fits up to 11" OD rounds, 8" (60° or 90°) angle members	Ea	\$132	23
5.939.0031.003	Medium T-Style Bracket Kit fits up to two 3" OD rounds members centred 12" apart	Ea	\$132	21
5.939.0032.002	Large T-Style Bracket Kit fits up to two 4 1/2" OD rounds members centred 18" apart	Ea	\$142	25

Kit #	Description	Qty	List Price	Wt
24 Line T-Style Assemblies				
5.939.0030.012	Small T-Style Bracket Kit fits up to 5 5/8" OD rounds, 4" angles and 5" (60°) angle members	Ea	\$109	17
5.939.0031.012	Medium T-Style Bracket Kit fits up to 11" OD rounds, 8" (60° or 90°) angle members	Ea	\$142	25
5.939.0031.013	Medium T-Style Bracket Kit fits up to two 3" OD rounds members centred 12" apart	Ea	\$142	24
5.939.0032.012	Large T-Style Bracket Kit fits up to two 4 1/2" OD rounds members centred 18" apart	Ea	\$152	28

Trylon 21 South Field Drive, Elmira, ON N3B 0A6

P: 519.669.5421 F: 519.669.8912 E: info@trylon.com W: www.trylon.com

Transmission Line Supports

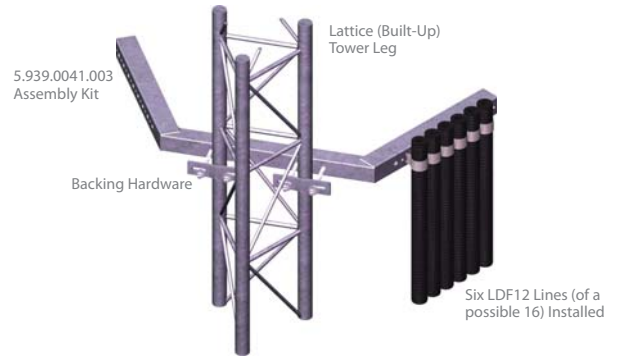
Boomerang Transmission Line Brackets

Trylon's Boomerang Transmission Line Brackets are a unique combination of the T-Style Bracket and Face Mounted Cable Ladder assembly. It is specially fitted to mount to triangular towers, and directly to the tower leg (like the T-Style), with the transmission lines installed on the outside of the tower face (like the cable ladder). This bracket provides superior flexibility to meet your new or existing tower's needs.

The three sizes (small, medium, and large) come in two options: 1) the shorter option, which can accommodate 16 runs of 3/4" snap-ins or 7/16" butterfly hangers, or 2) the longer option, which offers 24 runs of 3/4" or 7/16" holes.

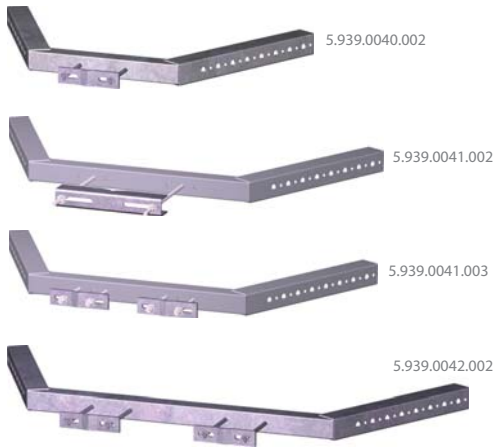
(Note, these brackets are designed to hold LDF12 lines up to 800Pa wind pressures when installed on 4' centres.)

All steel is hot dip galvanized to weather the harsh environment.

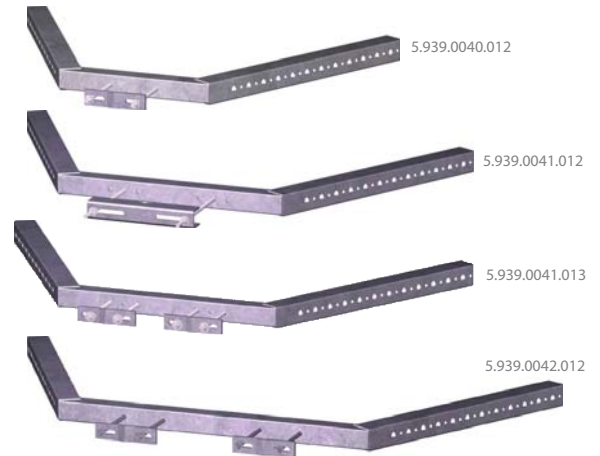


Quick Guide

Size	Four variations for two versions	Mounts to	See tables below
Design	Welded bracket for LDF12 lines at 800Pa	Material	Hot dip galvanized steel
Feature	Versatile mounting options	Order Separately	Transmission Lines



Kit #	Description	Qty	List Price	Wt
16 Line Boomerang Assemblies				
5.939.0040.002	Small Boomerang Bracket Kit fits up to 5 5/8" OD rounds, 4" angles and 5" (60°) angle members	Ea	\$126	27
5.939.0041.002	Medium Boomerang Bracket Kit fits up to 11" OD rounds, 8" (60° or 90°) angle members	Ea	\$163	35
5.939.0041.003	Medium Boomerang Bracket Kit fits up to two 3" OD rounds members centred 12" apart	Ea	\$174	35
5.939.0042.002	Large Boomerang Bracket Kit fits up to two 4 1/2" OD rounds members centred 18" apart	Ea	\$186	40



Kit #	Description	Qty	List Price	Wt
24 Line Boomerang Assemblies				
5.939.0040.012	Small Boomerang Bracket Kit fits up to 5 5/8" OD rounds, 4" angles and 5" (60°) angle members	Ea	\$142	32
5.939.0041.012	Medium Boomerang Bracket Kit fits up to 11" OD rounds, 8" (60° or 90°) angle members	Ea	\$180	41
5.939.0041.013	Medium Boomerang Bracket Kit fits up to two 3" OD rounds members centred 12" apart	Ea	\$190	40
5.939.0042.012	Large Boomerang Bracket Kit fits up to two 4 1/2" OD rounds members centred 18" apart	Ea	\$203	46

Transmission Line Supports

5' Incremental Waveguide Bridges (700 Series)

- Available in 5' to 50' lengths, in 5' increments
- Available in single or double 12", 18", or 24" solid covers
- See bottom of page 67 for tx line capacities for each style
- Base shoe posts are available in either 3½" OD x 10½' or 4½" OD x 10½', each comes complete with post and ground tab
- Order wedge anchor kits 5.939.0182.004 separately

SINGLE 12" OPTIONS ILLUSTRATED

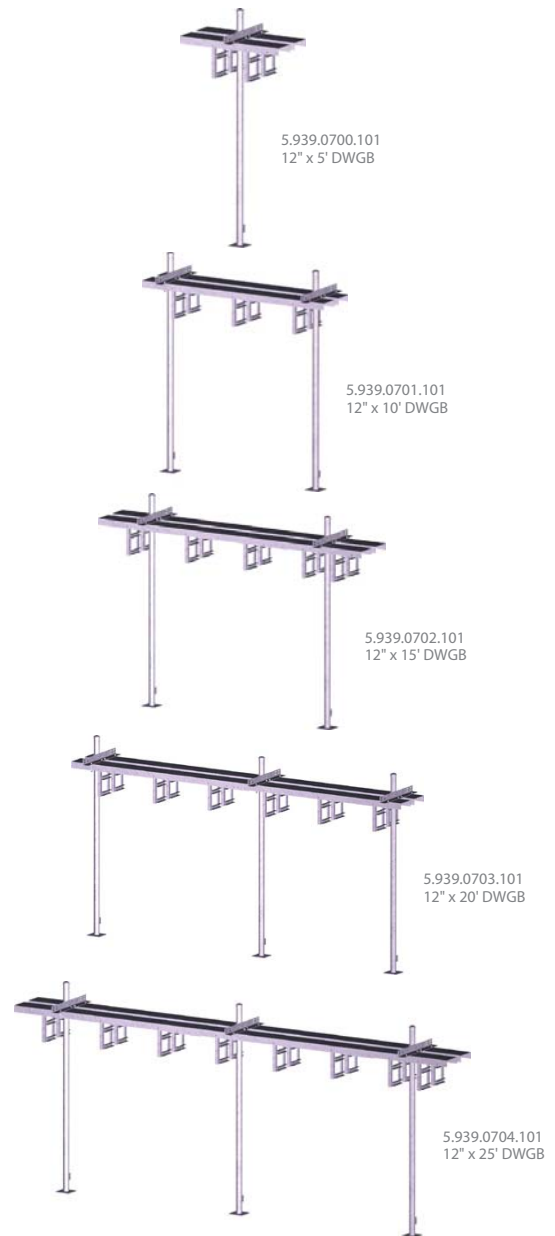


ORDER SEPARATELY



5.939.0182.004
Wedge Anchors

DOUBLE 12" OPTIONS ILLUSTRATED



Trylon 21 South Field Drive, Elmira, ON N3B 0A6

P: 519.669.5421 F: 519.669.8912 E: info@trylon.com W: www.trylon.com

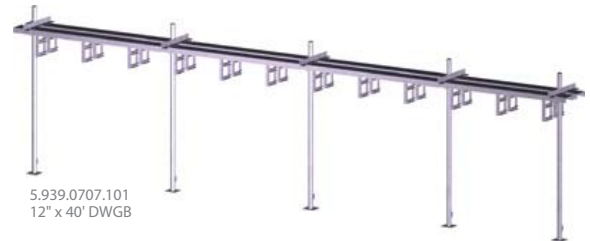
Transmission Line Supports

5' Incremental Waveguide Bridges (700 Series) *continued*

SINGLE 12" OPTIONS ILLUSTRATED



DOUBLE 12" OPTIONS ILLUSTRATED



Transmission Line Supports

5' Incremental Waveguide Bridges (700 Series) continued

SINGLE COVERS / 3½" OD POSTS

Kit #	Description	Qty	List Price	Wt
Single 12" Covers with 3½" Posts				
5.939.0700.001	5' Bridge c/w 1 post, 2 trapezes	Ea	\$818	172
5.939.0701.001	10' Bridge c/w 2 posts, 3 trapezes	Ea	\$1498	332
5.939.0702.001	15' Bridge c/w 2 posts, 5 trapezes	Ea	\$1931	408
5.939.0703.001	20' Bridge c/w 3 posts, 6 trapezes	Ea	\$2611	568
5.939.0704.001	25' Bridge c/w 3 posts, 8 trapezes	Ea	\$3045	645
5.939.0705.001	30' Bridge c/w 4 posts, 9 trapezes	Ea	\$3725	805
5.939.0706.001	35' Bridge c/w 4 posts, 11 trapezes	Ea	\$4158	881
5.939.0707.001	40' Bridge c/w 5 posts, 12 trapezes	Ea	\$4838	1041
5.939.0708.001	45' Bridge c/w 5 posts, 14 trapezes	Ea	\$5272	1118
5.939.0709.001	50' Bridge c/w 6 posts, 15 trapezes	Ea	\$5952	1278

DOUBLE COVERS / 3½" OD POSTS

Kit #	Description	Qty	List Price	Wt
Double 12" Covers with 3½" Posts				
5.939.0700.101	5' Bridge c/w 1 post, 4 trapezes	Ea	\$1143	242
5.939.0701.101	10' Bridge c/w 2 posts, 6 trapezes	Ea	\$2028	460
5.939.0702.101	15' Bridge c/w 2 posts, 10 trapezes	Ea	\$2841	613
5.939.0703.101	20' Bridge c/w 3 posts, 12 trapezes	Ea	\$3726	831
5.939.0704.101	25' Bridge c/w 3 posts, 16 trapezes	Ea	\$4539	984
5.939.0705.101	30' Bridge c/w 4 posts, 18 trapezes	Ea	\$5424	1202
5.939.0706.101	35' Bridge c/w 4 posts, 22 trapezes	Ea	\$6237	1355
5.939.0707.101	40' Bridge c/w 5 posts, 24 trapezes	Ea	\$7122	1573
5.939.0708.101	45' Bridge c/w 5 posts, 28 trapezes	Ea	\$7935	1727
5.939.0709.101	50' Bridge c/w 6 posts, 30 trapezes	Ea	\$8820	1944

Kit #	Description	Qty	List Price	Wt
Single 18" Covers with 3½" Posts				
5.939.0720.001	5' Bridge c/w 1 post, 2 trapezes	Ea	\$893	195
5.939.0721.001	10' Bridge c/w 2 posts, 3 trapezes	Ea	\$1638	374
5.939.0722.001	15' Bridge c/w 2 posts, 5 trapezes	Ea	\$2139	472
5.939.0723.001	20' Bridge c/w 3 posts, 6 trapezes	Ea	\$2885	652
5.939.0724.001	25' Bridge c/w 3 posts, 8 trapezes	Ea	\$3386	749
5.939.0725.001	30' Bridge c/w 4 posts, 9 trapezes	Ea	\$4131	929
5.939.0726.001	35' Bridge c/w 4 posts, 11 trapezes	Ea	\$4632	1027
5.939.0727.001	40' Bridge c/w 5 posts, 12 trapezes	Ea	\$5378	1206
5.939.0728.001	45' Bridge c/w 5 posts, 14 trapezes	Ea	\$5878	1304
5.939.0729.001	50' Bridge c/w 6 posts, 15 trapezes	Ea	\$6624	1484

Kit #	Description	Qty	List Price	Wt
Double 18" Covers with 3½" Posts				
5.939.0720.101	5' Bridge c/w 1 post, 4 trapezes	Ea	\$1283	288
5.939.0721.101	10' Bridge c/w 2 posts, 6 trapezes	Ea	\$2289	545
5.939.0722.101	15' Bridge c/w 2 posts, 10 trapezes	Ea	\$3228	740
5.939.0723.101	20' Bridge c/w 3 posts, 12 trapezes	Ea	\$4235	998
5.939.0724.101	25' Bridge c/w 3 posts, 16 trapezes	Ea	\$5174	1193
5.939.0725.101	30' Bridge c/w 4 posts, 18 trapezes	Ea	\$6180	1451
5.939.0726.101	35' Bridge c/w 4 posts, 22 trapezes	Ea	\$7119	1646
5.939.0727.101	40' Bridge c/w 5 posts, 24 trapezes	Ea	\$8126	1903
5.939.0728.101	45' Bridge c/w 5 posts, 28 trapezes	Ea	\$9065	2099
5.939.0729.101	50' Bridge c/w 6 posts, 30 trapezes	Ea	\$10071	2356

Kit #	Description	Qty	List Price	Wt
Single 24" Covers with 3½" Posts				
5.939.0740.001	5' Bridge c/w 1 post, 2 trapezes	Ea	\$962	212
5.939.0741.001	10' Bridge c/w 2 posts, 3 trapezes	Ea	\$1766	407
5.939.0742.001	15' Bridge c/w 2 posts, 5 trapezes	Ea	\$2326	520
5.939.0743.001	20' Bridge c/w 3 posts, 6 trapezes	Ea	\$3131	715
5.939.0744.001	25' Bridge c/w 3 posts, 8 trapezes	Ea	\$3691	829
5.939.0745.001	30' Bridge c/w 4 posts, 9 trapezes	Ea	\$4496	1023
5.939.0746.001	35' Bridge c/w 4 posts, 11 trapezes	Ea	\$5056	1137
5.939.0747.001	40' Bridge c/w 5 posts, 12 trapezes	Ea	\$5861	1332
5.939.0748.001	45' Bridge c/w 5 posts, 14 trapezes	Ea	\$6421	1445
5.939.0749.001	50' Bridge c/w 6 posts, 15 trapezes	Ea	\$7226	1640

Kit #	Description	Qty	List Price	Wt
Double 24" Covers with 3½" Posts				
5.939.0740.101	5' Bridge c/w 1 post, 4 trapezes	Ea	\$1406	322
5.939.0741.101	10' Bridge c/w 2 posts, 6 trapezes	Ea	\$2517	610
5.939.0742.101	15' Bridge c/w 2 posts, 10 trapezes	Ea	\$3567	837
5.939.0743.101	20' Bridge c/w 3 posts, 12 trapezes	Ea	\$4679	1125
5.939.0744.101	25' Bridge c/w 3 posts, 16 trapezes	Ea	\$5729	1325
5.939.0745.101	30' Bridge c/w 4 posts, 18 trapezes	Ea	\$6840	1640
5.939.0746.101	35' Bridge c/w 4 posts, 22 trapezes	Ea	\$7890	1867
5.939.0747.101	40' Bridge c/w 5 posts, 24 trapezes	Ea	\$9002	2154
5.939.0748.101	45' Bridge c/w 5 posts, 28 trapezes	Ea	\$10052	2381
5.939.0749.101	50' Bridge c/w 6 posts, 30 trapezes	Ea	\$11163	2669

NOTE: Order wedge anchors separately, quantity should match number of posts.

NOTE: Order wedge anchors separately, quantity should match number of posts.

Trylon 21 South Field Drive, Elmira, ON N3B 0A6

P: 519.669.5421 F: 519.669.8912 E: info@trylon.com W: www.trylon.com

Transmission Line Supports

5' Incremental Waveguide Bridges (700 Series) *continued*

SINGLE COVERS / 4½" OD POSTS

Kit #	Description	Qty	List Price	Wt
Single 12" Covers with 4½" Posts				
5.939.0710.001	5' Bridge c/w 1 post, 2 trapezes	Ea	\$763	208
5.939.0711.001	10' Bridge c/w 2 posts, 3 trapezes	Ea	\$1414	404
5.939.0712.001	15' Bridge c/w 2 posts, 5 trapezes	Ea	\$1767	481
5.939.0713.001	20' Bridge c/w 3 posts, 6 trapezes	Ea	\$2418	677
5.939.0714.001	25' Bridge c/w 3 posts, 8 trapezes	Ea	\$2770	754
5.939.0715.001	30' Bridge c/w 4 posts, 9 trapezes	Ea	\$3422	950
5.939.0716.001	35' Bridge c/w 4 posts, 11 trapezes	Ea	\$3774	1027
5.939.0717.001	40' Bridge c/w 5 posts, 12 trapezes	Ea	\$4425	1223
5.939.0718.001	45' Bridge c/w 5 posts, 14 trapezes	Ea	\$4778	1300
5.939.0719.001	50' Bridge c/w 6 posts, 15 trapezes	Ea	\$5429	1496

Kit #	Description	Qty	List Price	Wt
Single 18" Covers with 4½" Posts				
5.939.0730.001	5' Bridge c/w 1 post, 2 trapezes	Ea	\$856	231
5.939.0731.001	10' Bridge c/w 2 posts, 3 trapezes	Ea	\$1588	447
5.939.0732.001	15' Bridge c/w 2 posts, 5 trapezes	Ea	\$2010	545
5.939.0733.001	20' Bridge c/w 3 posts, 6 trapezes	Ea	\$2742	761
5.939.0734.001	25' Bridge c/w 3 posts, 8 trapezes	Ea	\$3164	858
5.939.0735.001	30' Bridge c/w 4 posts, 9 trapezes	Ea	\$3896	1075
5.939.0736.001	35' Bridge c/w 4 posts, 11 trapezes	Ea	\$4319	1172
5.939.0737.001	40' Bridge c/w 5 posts, 12 trapezes	Ea	\$5050	1388
5.939.0738.001	45' Bridge c/w 5 posts, 14 trapezes	Ea	\$5473	1486
5.939.0739.001	50' Bridge c/w 6 posts, 15 trapezes	Ea	\$6205	1702

Kit #	Description	Qty	List Price	Wt
Single 24" Covers with 4½" Posts				
5.939.0750.001	5' Bridge c/w 1 post, 2 trapezes	Ea	\$914	248
5.939.0751.001	10' Bridge c/w 2 posts, 3 trapezes	Ea	\$1696	480
5.939.0752.001	15' Bridge c/w 2 posts, 5 trapezes	Ea	\$2168	593
5.939.0753.001	20' Bridge c/w 3 posts, 6 trapezes	Ea	\$2950	842
5.939.0754.001	25' Bridge c/w 3 posts, 8 trapezes	Ea	\$3422	938
5.939.0755.001	30' Bridge c/w 4 posts, 9 trapezes	Ea	\$4204	1169
5.939.0756.001	35' Bridge c/w 4 posts, 11 trapezes	Ea	\$4676	1282
5.939.0757.001	40' Bridge c/w 5 posts, 12 trapezes	Ea	\$5458	1513
5.939.0758.001	45' Bridge c/w 5 posts, 14 trapezes	Ea	\$5931	1627
5.939.0759.001	50' Bridge c/w 6 posts, 15 trapezes	Ea	\$6712	1858

NOTE: Order wedge anchors separately, quantity should match number of posts.

DOUBLE COVERS / 4½" OD POSTS

Kit #	Description	Qty	List Price	Wt
Double 12" Covers with 4½" Posts				
5.939.0710.101	5' Bridge c/w 1 post, 4 trapezes	Ea	\$1089	278
5.939.0711.101	10' Bridge c/w 2 posts, 6 trapezes	Ea	\$1955	532
5.939.0712.101	15' Bridge c/w 2 posts, 10 trapezes	Ea	\$2660	686
5.939.0713.101	20' Bridge c/w 3 posts, 12 trapezes	Ea	\$3526	940
5.939.0714.101	25' Bridge c/w 3 posts, 16 trapezes	Ea	\$4230	1093
5.939.0715.101	30' Bridge c/w 4 posts, 18 trapezes	Ea	\$5096	1347
5.939.0716.101	35' Bridge c/w 4 posts, 22 trapezes	Ea	\$5801	1501
5.939.0717.101	40' Bridge c/w 5 posts, 24 trapezes	Ea	\$6666	1755
5.939.0718.101	45' Bridge c/w 5 posts, 28 trapezes	Ea	\$7371	1909
5.939.0719.101	50' Bridge c/w 6 posts, 30 trapezes	Ea	\$8237	2163

Kit #	Description	Qty	List Price	Wt
Double 18" Covers with 4½" Posts				
5.939.0730.101	5' Bridge c/w 1 post, 4 trapezes	Ea	\$1257	324
5.939.0731.101	10' Bridge c/w 2 posts, 6 trapezes	Ea	\$2265	618
5.939.0732.101	15' Bridge c/w 2 posts, 10 trapezes	Ea	\$3110	813
5.939.0733.101	20' Bridge c/w 3 posts, 12 trapezes	Ea	\$4119	1107
5.939.0734.101	25' Bridge c/w 3 posts, 16 trapezes	Ea	\$4964	1302
5.939.0735.101	30' Bridge c/w 4 posts, 18 trapezes	Ea	\$5972	1596
5.939.0736.101	35' Bridge c/w 4 posts, 22 trapezes	Ea	\$6818	1791
5.939.0737.101	40' Bridge c/w 5 posts, 24 trapezes	Ea	\$7826	2085
5.939.0738.101	45' Bridge c/w 5 posts, 28 trapezes	Ea	\$8671	2281
5.939.0739.101	50' Bridge c/w 6 posts, 30 trapezes	Ea	\$9680	2574

Kit #	Description	Qty	List Price	Wt
Double 24" Covers with 4½" Posts				
5.939.0750.101	5' Bridge c/w 1 post, 4 trapezes	Ea	\$1317	359
5.939.0751.101	10' Bridge c/w 2 posts, 6 trapezes	Ea	\$2379	683
5.939.0752.101	15' Bridge c/w 2 posts, 10 trapezes	Ea	\$3289	910
5.939.0753.101	20' Bridge c/w 3 posts, 12 trapezes	Ea	\$4351	1234
5.939.0754.101	25' Bridge c/w 3 posts, 16 trapezes	Ea	\$5261	1461
5.939.0755.101	30' Bridge c/w 4 posts, 18 trapezes	Ea	\$6323	1785
5.939.0756.101	35' Bridge c/w 4 posts, 22 trapezes	Ea	\$7233	2012
5.939.0757.101	40' Bridge c/w 5 posts, 24 trapezes	Ea	\$8295	2336
5.939.0758.101	45' Bridge c/w 5 posts, 28 trapezes	Ea	\$9205	2563
5.939.0759.101	50' Bridge c/w 6 posts, 30 trapezes	Ea	\$10267	2887

NOTE: Order wedge anchors separately, quantity should match number of posts.

Transmission Line Supports

4' Carport Waveguide Bridges (700 Series)

- Available with two 24" x 10' grated or solid covers
- Available with or without six sets of trapezes
- See bottom of page 67 for tx line capacities for each style
- Base shoe posts are available in either 3½" OD x 10½' or 4½" OD x 10½', each comes complete with post and ground tab
- Order wedge anchor kits 5.939.0182.004 separately



3½" OD POSTS

4½" OD POSTS

Kit #	Description	Qty	List Price	Wt
4' Carport with 3½" Posts				
5.939.0760.001	Two 24" x 10' Grated Covers, with four 3½" x 10½' Base Shoe Posts	Ea	\$2296	660
5.939.0761.001	Two 24" x 10' Solid Covers, with four 3½" x 10½' Base Shoe Posts	Ea	\$2411	713
4' Carport with 3½" Posts and Trapezes				
5.939.0762.001	Two 24" x 10' Grated Covers, with four 3½" x 10½' Base Shoe Posts and six 2-rung z-trapezes	Ea	\$2632	698
5.939.0763.001	Two 24" x 10' Solid Covers, with four 3½" x 10½' Base Shoe Posts and six 2-rung trapezes	Ea	\$2965	816

NOTE: Order wedge anchors separately, quantity should match number of posts.

Kit #	Description	Qty	List Price	Wt
4' Carport with 4½" Posts				
5.939.0765.001	Two 24" x 10' Grated Covers, with four 4½" x 10½' Base Shoe Posts	Ea	\$2719	805
5.939.0766.001	Two 24" x 10' Solid Covers, with four 4½" x 10½' Base Shoe Posts	Ea	\$2834	858
4' Carport with 4½" Posts and Trapezes				
5.939.0767.001	Two 24" x 10' Grated Covers, with four 4½" x 10½' Base Shoe Posts and six 2-rung z-trapezes	Ea	\$3055	843
5.939.0768.001	Two 24" x 10' Solid Covers, with four 4½" x 10½' Base Shoe Posts and six 2-rung trapezes	Ea	\$3388	961

NOTE: Order wedge anchors separately, quantity should match number of posts.

Transmission Line Supports

8' Carport Waveguide Bridges (700 Series)

- Available with four 24" x 10' grated or solid covers
- Available with or without twelve sets of trapezes
- See bottom of page 67 for tx line capacities for each style
- Base shoe posts are available in either 3½" OD x 10½' or 4½" OD x 10½', each comes complete with post and ground tab
- Order wedge anchor kits 5.939.0182.004 separately



ORDER SEPARATELY



5.939.0182.004
Wedge Anchors



3½" OD POSTS

4½" OD POSTS

Kit #	Description	Qty	List Price	Wt
8' Carport with 3½" Posts				
5.939.0770.001	Four 24" x 10' Grated Covers, with four 3½" x 10½' Base Shoe Posts	Ea	\$6183	964
5.939.0771.001	Four 24" x 10' Solid Covers, with four 3½" x 10½' Base Shoe Posts	Ea	\$6609	1070
8' Carport with 3½" Posts and Trapezes				
5.939.0772.001	Four 24" x 10' Grated Covers, with four 3½" x 10½' Base Shoe Posts and twelve 2-rung z-trapezes	Ea	\$7431	1039
5.939.0773.001	Four 24" x 10' Solid Covers, with four 3½" x 10½' Base Shoe Posts and twelve 2-rung trapezes	Ea	\$8668	1276

NOTE: Order wedge anchors separately, quantity should match number of posts.

Kit #	Description	Qty	List Price	Wt
8' Carport with 4½" Posts				
5.939.0775.001	Four 24" x 10' Grated Covers, with four 4½" x 10½' Base Shoe Posts	Ea	\$6973	1109
5.939.0776.001	Four 24" x 10' Solid Covers, with four 4½" x 10½' Base Shoe Posts	Ea	\$7400	1215
8' Carport with 4½" Posts and Trapezes				
5.939.0777.001	Four 24" x 10' Grated Covers, with four 4½" x 10½' Base Shoe Posts and twelve 2-rung z-trapezes	Ea	\$8221	1185
5.939.0778.001	Four 24" x 10' Solid Covers, with four 4½" x 10½' Base Shoe Posts and twelve 2-rung trapezes	Ea	\$9459	1421

NOTE: Order wedge anchors separately, quantity should match number of posts.

Transmission Line Supports

12" Waveguide Bridges

- Available in single or double 12" x 10' grated or solid covers
- Available with three or six 12" sets of trapezes
- See bottom of page 67 for tx line capacities for each style
- Direct Burial posts are available in 3½" or 4½" x 14' options
- Base Shoe posts are available in 3½" or 4½" x 10½' options, and are standard with ground tab and wedge anchors



SINGLE COVERS



DOUBLE COVERS

Kit #	Description	Qty	List Price	Wt
12" Single WGBs with 3½" Posts				
5.939.0100.001	One 12" x 10' Grated Cover c/w two 3½" x 14' Direct Burial Posts and three 1-rung z-trapezes	Ea	\$1320	314
5.939.0101.001	One 12" x 10' Grated Cover c/w two 3½" x 10½' Base Shoe Posts and three 1-rung z-trapezes	Ea	\$1493	296
5.939.0102.001	One 12" x 10' Solid Cover c/w two 3½" x 14' Direct Burial Posts and three 2-rung trapezes	Ea	\$1485	360
5.939.0103.001	One 12" x 10' Solid Cover c/w two 3½" x 10½' Base Shoe Posts and three 2-rung trapezes	Ea	\$1658	342

Kit #	Description	Qty	List Price	Wt
12" Double WGBs with 3½" Posts				
5.939.0200.001	Two 12" x 10' Grated Covers c/w two 3½" x 14' Direct Burial Posts and six 1-rung z-trapezes	Ea	\$2105	395
5.939.0201.001	Two 12" x 10' Grated Covers c/w two 3½" x 10½' Base Shoe Posts and six 1-rung z-trapezes	Ea	\$2305	378
5.939.0202.001	Two 12" x 10' Solid Covers c/w two 3½" x 14' Direct Burial Posts and six 2-rung trapezes	Ea	\$2486	488
5.939.0203.001	Two 12" x 10' Solid Covers c/w two 3½" x 10½' Base Shoe Posts and six 2-rung trapezes	Ea	\$2686	470

Kit #	Description	Qty	List Price	Wt
12" Single WGBs with 4½" Posts				
5.939.0105.001	One 12" x 10' Grated Cover c/w two 4½" x 14' Direct Burial Posts and three 1-rung z-trapezes	Ea	\$1637	410
5.939.0106.001	One 12" x 10' Grated Cover c/w two 4½" x 10½' Base Shoe Posts and three 1-rung z-trapezes	Ea	\$1736	369
5.939.0107.001	One 12" x 10' Solid Cover c/w two 4½" x 14' Direct Burial Posts and three 2-rung trapezes	Ea	\$1802	456
5.939.0108.001	One 12" x 10' Solid Cover c/w two 4½" x 10½' Base Shoe Posts and three 2-rung trapezes	Ea	\$1901	415

Kit #	Description	Qty	List Price	Wt
12" Double WGBs with 4½" Posts				
5.939.0205.001	Two 12" x 10' Grated Covers c/w two 4½" x 14' Direct Burial Posts and six 1-rung z-trapezes	Ea	\$2472	492
5.939.0206.001	Two 12" x 10' Grated Covers c/w two 4½" x 10½' Base Shoe Posts and six 1-rung z-trapezes	Ea	\$2586	450
5.939.0207.001	Two 12" x 10' Solid Covers c/w two 4½" x 14' Direct Burial Posts and six 2-rung trapezes	Ea	\$2853	584
5.939.0208.001	Two 12" x 10' Solid Covers c/w two 4½" x 10½' Base Shoe Posts and six 2-rung trapezes	Ea	\$2967	543

NOTE: Minimum embedment of 3½" is needed for direct burial post option.

NOTE: Minimum embedment of 3½" is needed for direct burial post option.

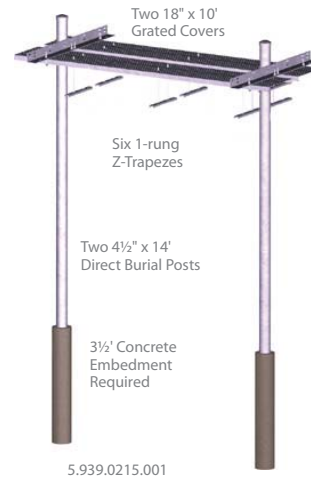
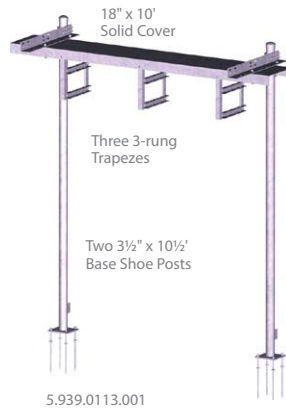
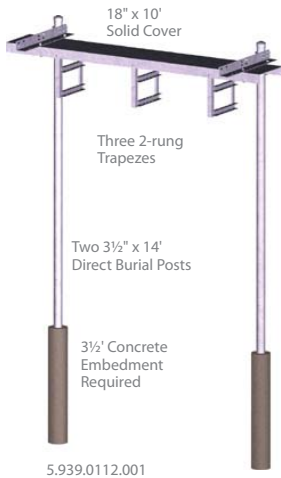
Trylon 21 South Field Drive, Elmira, ON N3B 0A6

P: 519.669.5421 F: 519.669.8912 E: info@trylon.com W: www.trylon.com

Transmission Line Supports

18" Waveguide Bridges

- Available in single or double 18" x 10' grated or solid covers
- Available with three or six 18" sets of trapezes
- See bottom of page 67 for tx line capacities for each style
- Direct Burial posts are available in 3½" or 4½" x 14' options
- Base Shoe posts are available in 3½" or 4½" x 10½' options, and are standard with ground tab and wedge anchors



SINGLE COVERS

DOUBLE COVERS

Kit #	Description	Qty	List Price	Wt
18" Single WGBs with 3½" Posts				
5.939.0110.001	One 18" x 10' Grated Cover c/w two 3½" x 14' Direct Burial Posts and three 1-rung z-trapezes	Ea	\$1362	346
5.939.0111.001	One 18" x 10' Grated Cover c/w two 3½" x 10½' Base Shoe Posts and three 1-rung z-trapezes	Ea	\$1524	329
5.939.0112.001	One 18" x 10' Solid Cover c/w two 3½" x 14' Direct Burial Posts and three 2-rung trapezes	Ea	\$1524	403
5.939.0113.001	One 18" x 10' Solid Cover c/w two 3½" x 10½' Base Shoe Posts and three 2-rung trapezes	Ea	\$1686	385

Kit #	Description	Qty	List Price	Wt
18" Double WGBs with 3½" Posts				
5.939.0210.001	Two 18" x 10' Grated Covers c/w two 3½" x 14' Direct Burial Posts and six 1-rung z-trapezes	Ea	\$2213	461
5.939.0211.001	Two 18" x 10' Grated Covers c/w two 3½" x 10½' Base Shoe Posts and six 1-rung z-trapezes	Ea	\$2397	443
5.939.0212.001	Two 18" x 10' Solid Covers c/w two 3½" x 14' Direct Burial Posts and six 2-rung trapezes	Ea	\$2581	574
5.939.0213.001	Two 18" x 10' Solid Covers c/w two 3½" x 10½' Base Shoe Posts and six 2-rung trapezes	Ea	\$2764	556

Kit #	Description	Qty	List Price	Wt
18" Single WGBs with 4½" Posts				
5.939.0115.001	One 18" x 10' Grated Cover c/w two 4½" x 14' Direct Burial Posts and three 1-rung z-trapezes	Ea	\$1659	443
5.939.0116.001	One 18" x 10' Grated Cover c/w two 4½" x 10½' Base Shoe Posts and three 1-rung z-trapezes	Ea	\$1752	402
5.939.0117.001	One 18" x 10' Solid Cover c/w two 4½" x 14' Direct Burial Posts and three 2-rung trapezes	Ea	\$1821	499
5.939.0118.001	One 18" x 10' Solid Cover c/w two 4½" x 10½' Base Shoe Posts and three 2-rung trapezes	Ea	\$1914	458

Kit #	Description	Qty	List Price	Wt
18" Double WGBs with 4½" Posts				
5.939.0215.001	Two 18" x 10' Grated Covers c/w two 4½" x 14' Direct Burial Posts and six 1-rung z-trapezes	Ea	\$2550	557
5.939.0216.001	Two 18" x 10' Grated Covers c/w two 4½" x 10½' Base Shoe Posts and six 1-rung z-trapezes	Ea	\$2655	516
5.939.0217.001	Two 18" x 10' Solid Covers c/w two 4½" x 14' Direct Burial Posts and six 2-rung trapezes	Ea	\$2917	670
5.939.0218.001	Two 18" x 10' Solid Covers c/w two 4½" x 10½' Base Shoe Posts and six 2-rung trapezes	Ea	\$3023	629

NOTE: Minimum embedment of 3½' is needed for direct burial post option.

NOTE: Minimum embedment of 3½' is needed for direct burial post option.

Transmission Line Supports

24" Waveguide Bridges

- Available in single or double 24" x 10' grated or solid covers
- Available with three or six 24" sets of trapezes
- See bottom of page 67 for tx line capacities for each style
- Direct Burial posts are available in 3½" or 4½" x 14' options
- Base Shoe posts are available in 3½" or 4½" x 10½' options, and are standard with ground tab and wedge anchors



SINGLE COVERS



DOUBLE COVERS

Kit #	Description	Qty	List Price	Wt
24" Single WGBs with 3½" Posts				
5.939.0120.001	One 24" x 10' Grated Cover c/w two 3½" x 14' Direct Burial Posts and three 1-rung z-trapezes	Ea	\$1270	376
5.939.0121.001	One 24" x 10' Grated Cover c/w two 3½" x 10½' Base Shoe Posts and three 1-rung z-trapezes	Ea	\$1411	358
5.939.0122.001	One 24" x 10' Solid Cover c/w two 3½" x 14' Direct Burial Posts and three 2-rung trapezes	Ea	\$1425	435
5.939.0123.001	One 24" x 10' Solid Cover c/w two 3½" x 10½' Base Shoe Posts and three 2-rung trapezes	Ea	\$1565	418

Kit #	Description	Qty	List Price	Wt
24" Single WGBs with 4½" Posts				
5.939.0125.001	One 24" x 10' Grated Cover c/w two 4½" x 14' Direct Burial Posts and three 1-rung z-trapezes	Ea	\$1528	473
5.939.0126.001	One 24" x 10' Grated Cover c/w two 4½" x 10½' Base Shoe Posts and three 1-rung z-trapezes	Ea	\$1608	431
5.939.0127.001	One 24" x 10' Solid Cover c/w two 4½" x 14' Direct Burial Posts and three 2-rung trapezes	Ea	\$1682	532
5.939.0128.001	One 24" x 10' Solid Cover c/w two 4½" x 10½' Base Shoe Posts and three 2-rung trapezes	Ea	\$1763	490

NOTE: Minimum embedment of 3½" is needed for direct burial post option.

Kit #	Description	Qty	List Price	Wt
24" Double WGBs with 3½" Posts				
5.939.0220.001	Two 24" x 10' Grated Covers c/w two 3½" x 14' Direct Burial Posts and six 1-rung z-trapezes	Ea	\$1790	520
5.939.0221.001	Two 24" x 10' Grated Covers c/w two 3½" x 10½' Base Shoe Posts and six 1-rung z-trapezes	Ea	\$1925	503
5.939.0222.001	Two 24" x 10' Solid Covers c/w two 3½" x 14' Direct Burial Posts and six 2-rung trapezes	Ea	\$2088	639
5.939.0223.001	Two 24" x 10' Solid Covers c/w two 3½" x 10½' Base Shoe Posts and six 2-rung trapezes	Ea	\$2223	621

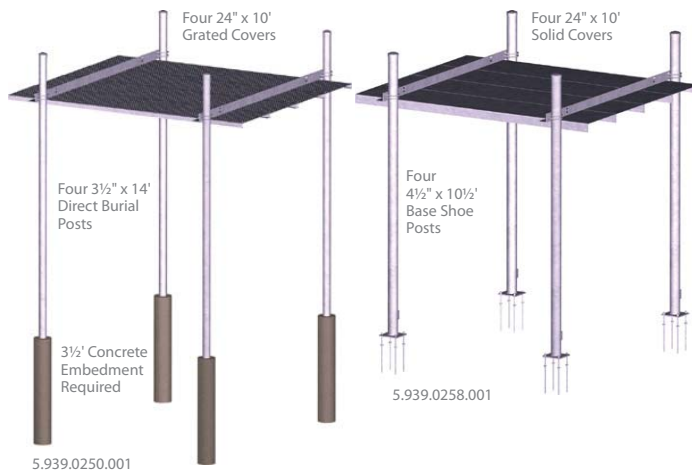
Kit #	Description	Qty	List Price	Wt
24" Double WGBs with 4½" Posts				
5.939.0225.001	Two 24" x 10' Grated Covers c/w two 4½" x 14' Direct Burial Posts and six 1-rung z-trapezes	Ea	\$2038	617
5.939.0226.001	Two 24" x 10' Grated Covers c/w two 4½" x 10½' Base Shoe Posts and six 1-rung z-trapezes	Ea	\$2115	575
5.939.0227.001	Two 24" x 10' Solid Covers c/w two 4½" x 14' Direct Burial Posts and six 2-rung trapezes	Ea	\$2335	735
5.939.0228.001	Two 24" x 10' Solid Covers c/w two 4½" x 10½' Base Shoe Posts and six 2-rung trapezes	Ea	\$2413	694

NOTE: Minimum embedment of 3½" is needed for direct burial post option.

Transmission Line Supports

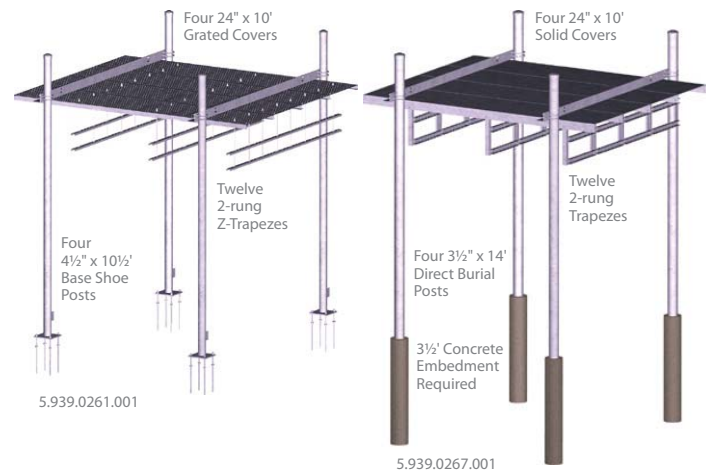
8' Carport Waveguide Bridges

- Available in four 24" x 10' grated or solid covers
- Available with or without twelve 24" sets of trapezes
- See bottom of page 67 for tx line capacities for each style
- Direct Burial posts are available in 3½" or 4½" x 14' options
- Base Shoe posts are available in 3½" or 4½" x 10½' options, and are standard with ground tab and wedge anchors



WITHOUT TRAPEZES

Kit #	Description	Qty	List Price	Wt
8' Carport with 3½" Posts				
5.939.0250.001	Four 24" x 10' Grated Covers c/w four 3½" x 14' Direct Burial Posts	Ea	\$2834	1020
5.939.0251.001	Four 24" x 10' Grated Covers c/w four 3½" x 10½' Base Shoe Posts	Ea	\$3094	985
5.939.0252.001	Four 24" x 10' Solid Covers c/w four 3½" x 14' Direct Burial Posts	Ea	\$3031	1126
5.939.0253.001	Four 24" x 10' Solid Covers c/w four 3½" x 10½' Base Shoe Posts	Ea	\$3290	1091



WITH TRAPEZES

Kit #	Description	Qty	List Price	Wt
8' Carport with 3½" Posts and Trapezes				
5.939.0260.001	Four 24" x 10' Grated Covers c/w four 3½" x 14' Direct Burial Posts and twelve 1-rung z-trapezes	Ea	\$3535	1166
5.939.0261.001	Four 24" x 10' Grated Covers c/w four 3½" x 10½' Base Shoe Posts and twelve 1-rung z-trapezes	Ea	\$3773	1131
5.939.0262.001	Four 24" x 10' Solid Covers c/w four 3½" x 14' Direct Burial Posts and twelve 2-rung trapezes	Ea	\$3650	1333
5.939.0263.001	Four 24" x 10' Solid Covers c/w four 3½" x 10½' Base Shoe Posts and twelve 2-rung trapezes	Ea	\$3887	1297

Kit #	Description	Qty	List Price	Wt
8' Carport with 4½" Posts				
5.939.0255.001	Four 24" x 10' Grated Covers c/w four 4½" x 14' Direct Burial Posts	Ea	\$3310	1213
5.939.0256.001	Four 24" x 10' Grated Covers c/w four 4½" x 10½' Base Shoe Posts	Ea	\$3458	1130
5.939.0257.001	Four 24" x 10' Solid Covers c/w four 4½" x 14' Direct Burial Posts	Ea	\$3506	1319
5.939.0258.001	Four 24" x 10' Solid Covers c/w four 4½" x 10½' Base Shoe Posts	Ea	\$3655	1237

NOTE: Minimum embedment of 3½' is needed for direct burial post option.

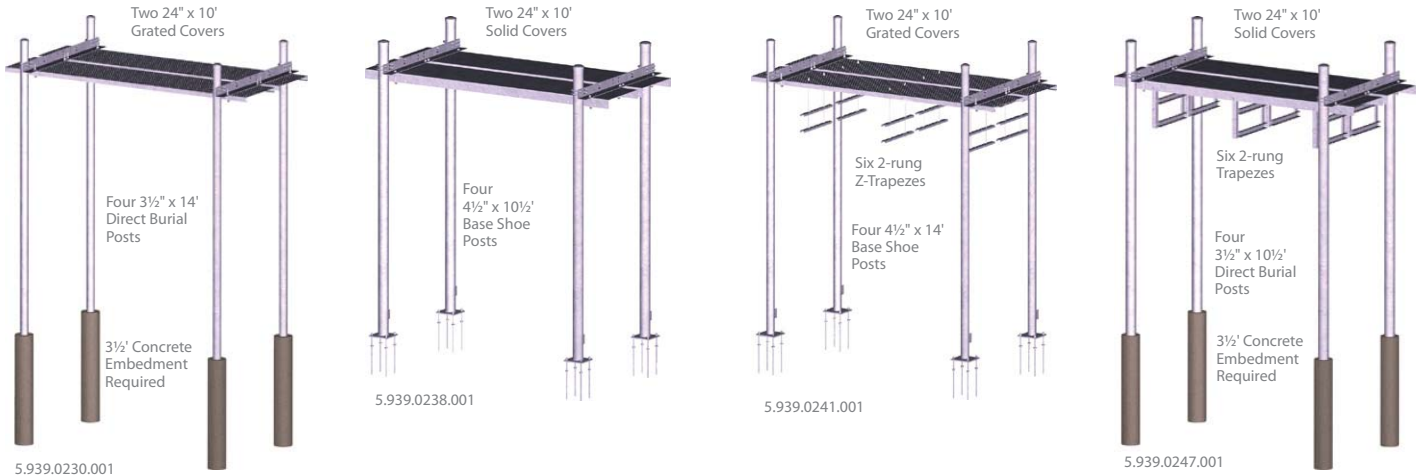
Kit #	Description	Qty	List Price	Wt
8' Carport with 4½" Posts and Trapezes				
5.939.0265.001	Four 24" x 10' Grated Covers c/w four 4½" x 14' Direct Burial Posts and twelve 1-rung z-trapezes	Ea	\$3562	1289
5.939.0266.001	Four 24" x 10' Grated Covers c/w four 4½" x 10½' Base Shoe Posts and twelve 1-rung z-trapezes	Ea	\$3698	1206
5.939.0267.001	Four 24" x 10' Solid Covers c/w four 4½" x 14' Direct Burial Posts and twelve 2-rung trapezes	Ea	\$4085	1525
5.939.0268.001	Four 24" x 10' Solid Covers c/w four 4½" x 10½' Base Shoe Posts and twelve 2-rung trapezes	Ea	\$4222	1443

NOTE: Minimum embedment of 3½' is needed for direct burial post option.

Transmission Line Supports

4' Carport Waveguide Bridges

- Available in two 24" x 10' grated or solid covers
- Available with or without six 24" sets of trapezes
- See Components sections for tx line capacities
- Direct Burial posts are available in 3½" or 4½" x 14' options
- Base Shoe posts are available in 3½" or 4½" x 10½' options, and are standard with ground tab and wedge anchors



WITHOUT TRAPEZES

WITH TRAPEZES

Kit #	Description	Qty	List Price	Wt
4' Carport with 3½" Posts				
5.939.0230.001	Two 24" x 10' Grated Covers c/w four 3½" x 14' Direct Burial Posts	Ea	\$2111	717
5.939.0231.001	Two 24" x 10' Grated Covers c/w four 3½" x 10½' Base Shoe Posts	Ea	\$2392	682
5.939.0232.001	Two 24" x 10' Solid Covers c/w four 3½" x 14' Direct Burial Posts	Ea	\$2218	770
5.939.0233.001	Two 24" x 10' Solid Covers c/w four 3½" x 10½' Base Shoe Posts	Ea	\$2499	735

Kit #	Description	Qty	List Price	Wt
4' Carport with 3½" Posts and Trapezes				
5.939.0240.001	Two 24" x 10' Grated Covers c/w four 3½" x 14' Direct Burial Posts and six 1-rung z-trapezes	Ea	\$2665	790
5.939.0241.001	Two 24" x 10' Grated Covers c/w four 3½" x 10½' Base Shoe Posts and six 1-rung z-trapezes	Ea	\$2946	755
5.939.0242.001	Two 24" x 10' Solid Covers c/w four 3½" x 14' Direct Burial Posts and six 2-rung trapezes	Ea	\$2733	873
5.939.0243.001	Two 24" x 10' Solid Covers c/w four 3½" x 10½' Base Shoe Posts and six 2-rung trapezes	Ea	\$3013	838

Kit #	Description	Qty	List Price	Wt
4' Carport with 4½" Posts				
5.939.0235.001	Two 24" x 10' Grated Covers c/w four 4½" x 14' Direct Burial Posts	Ea	\$2623	909
5.939.0236.001	Two 24" x 10' Grated Covers c/w four 4½" x 10½' Base Shoe Posts	Ea	\$2785	826
5.939.0237.001	Two 24" x 10' Solid Covers c/w four 4½" x 14' Direct Burial Posts	Ea	\$2730	962
5.939.0238.001	Two 24" x 10' Solid Covers c/w four 4½" x 10½' Base Shoe Posts	Ea	\$2891	879

Kit #	Description	Qty	List Price	Wt
4' Carport with 4½" Posts and Trapezes				
5.939.0245.001	Two 24" x 10' Grated Covers c/w four 4½" x 14' Direct Burial Posts and six 1-rung z-trapezes	Ea	\$2935	947
5.939.0246.001	Two 24" x 10' Grated Covers c/w four 4½" x 10½' Base Shoe Posts and six 1-rung z-trapezes	Ea	\$3097	864
5.939.0247.001	Two 24" x 10' Solid Covers c/w four 4½" x 14' Direct Burial Posts and six 2-rung trapezes	Ea	\$3245	1065
5.939.0248.001	Two 24" x 10' Solid Covers c/w four 4½" x 10½' Base Shoe Posts and six 2-rung trapezes	Ea	\$3406	983

NOTE: Minimum embedment of 3½' is needed for direct burial post option.

NOTE: Minimum embedment of 3½' is needed for direct burial post option.

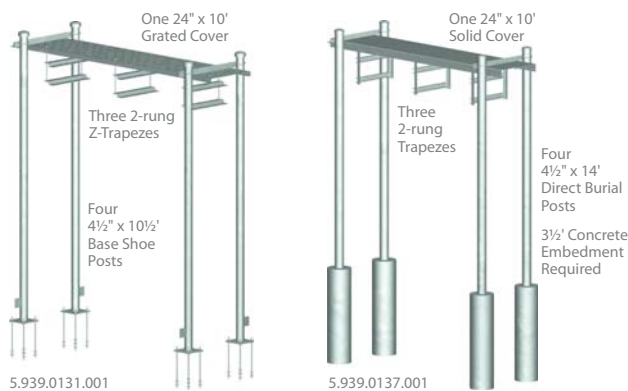
Trylon 21 South Field Drive, Elmira, ON N3B 0A6

P: 519.669.5421 F: 519.669.8912 E: info@trylon.com W: www.trylon.com

Transmission Line Supports

2' Carport Waveguide Bridges

- Available with one 24" x 10' grated or solid cover
- Available with or without three 24" sets of trapezes
- See Components sections for tx line capacities
- Direct Burial posts are available in 3½" or 4½" x 14' options
- Base Shoe posts are available in 3½" or 4½" x 10½' options, and are standard with ground tab and wedge anchors



Kit #	Description	Qty	List Price	Wt
2' Carport with 3½" Posts				
5.939.0130.001	One 24" x 10' Grated Cover c/w four 3½" x 14' Direct Burial Posts and three 2-rung z-trapezes	Ea	\$1955	622
5.939.0131.001	One 24" x 10' Grated Cover c/w four 3½" x 10½' Base Shoe Posts and three 2-rung z-trapezes	Ea	\$2236	586
5.939.0132.001	One 24" x 10' Solid Cover c/w four 3½" x 14' Direct Burial Posts and three 2-rung trapezes	Ea	\$1989	663
5.939.0133.001	One 24" x 10' Solid Cover c/w four 3½" x 10½' Base Shoe Posts and three 2-rung trapezes	Ea	\$2270	628

Kit #	Description	Qty	List Price	Wt
2' Carport with 4½" Posts				
5.939.0135.001	One 24" x 10' Grated Cover c/w four 4½" x 14' Direct Burial Posts and three 2-rung z-trapezes	Ea	\$2467	814
5.939.0136.001	One 24" x 10' Grated Cover c/w four 4½" x 10½' Base Shoe Posts and three 2-rung z-trapezes	Ea	\$2629	731
5.939.0137.001	One 24" x 10' Solid Cover c/w four 4½" x 14' Direct Burial Posts and three 2-rung trapezes	Ea	\$2501	855
5.939.0138.001	One 24" x 10' Solid Cover c/w four 4½" x 10½' Base Shoe Posts and three 2-rung trapezes	Ea	\$2662	773

NOTE: Minimum embedment of 3½' is needed for direct burial post option.

Triple Cantilever Waveguide Bridge

Triple Cantilever Waveguide Bridges are ideal when there is limited space between tower structures and buildings (typically in the 6' to 8' separation range).

The kit comes complete with three 18" x 5' solid covers and all hardware needed to attach to all-weld tower structures with face widths ranging from 24" to 48", and tower leg sizes up to 3½" OD.

Optional kits include (a) six 18" 2-rung trapeze kits, which have a maximum capacity of (60) 3/4" or (72) 7/16" holes for transmission lines; or (b) a 60" end shield that provides an additional 18" of protection beyond the current 5' covers.

All material is hot dip galvanized to weather the elements.



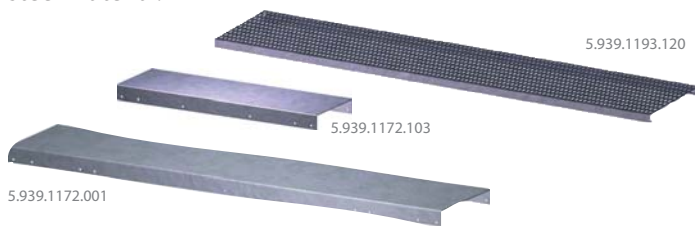
Kit #	Description	Qty	List Price	Wt
Triple Cantilever Bridges				
5.939.0270.001	Triple Cantilever WGB c/w Platform, 2 Struts and Hardware	Ea	\$1645	422
5.939.0270.006	Triple Cantilever WGB c/w Platform, 2 Struts and Hardware, and six 2-rung Trapezes	Ea	\$2141	511
5.939.0270.011	Triple Cantilever WGB c/w Platform, 2 Struts and Hardware, and 60" End Shield	Ea	\$1835	474
5.939.0270.016	Triple Cantilever WGB c/w Platform, 2 Struts and Hardware, six Trapezes and 60" End Shield	Ea	\$2331	563

Transmission Line Supports

Waveguide Bridge Components

WAVEGUIDE BRIDGE COVERS

Waveguide Bridge Covers can support horizontal runs of transmission lines. They come standard in either 5' or 10' lengths and are offered in three widths (12", 18", and 24"). All open-serrated diamond-shaped grating are made from 12-gauge steel. Whereas all pre-punch solid channel covers are made from 11-gauge steel material.



Kit #	Description	Qty	List Price	Wt
5' Solid Covers				
5.939.1172.224	5' Solid Cover, 24" wide	Ea	\$173	68
5.939.1172.103	5' Solid Cover, 18" wide	Ea	\$150	56
5.939.1172.212	5' Solid Cover, 12" wide	Ea	\$118	41
10' Solid Covers				
5.939.1172.001	10' Solid Cover, 24" wide	Ea	\$314	135
5.939.1172.002	10' Solid Cover, 18" wide	Ea	\$267	113
5.939.1172.003	10' Solid Cover, 12" wide	Ea	\$204	83
10' Grated Covers				
5.963.1193.120	10' Safety Grated Cover, 24" wide	Ea	\$328	109
5.963.1192.120	10' Safety Grated Cover, 18" wide	Ea	\$270	85
5.963.1191.120	10' Safety Grated Cover, 12" wide	Ea	\$197	61

UNIVERSAL SPLICE

The Universal Splice fits all three cover widths (12", 18", and 24"); it allows connection of either solid or open grating waveguide bridges to increase section length. Supports are recommended within 2½' of the splice. All hardware is included for installation, and all material is hot dip galvanized.



Kit #	Description	Qty	List Price	Wt
Universal Splice Assembly				
5.939.0189.001	Universal Splice Assembly	Ea	\$54	12

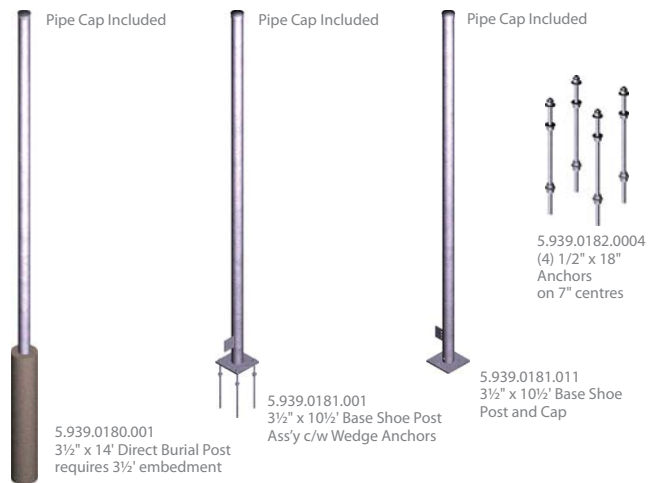
POST ASSEMBLIES

The post assemblies are offered in two styles, direct burial and base shoe, to meet your site-specific requirements.

The direct burial post is available as either a 3½" OD x 14' long or 4½" OD x 14' long pipe with a pipe head cover. Both options require a minimum of 3½' embedment into concrete for a secure footing.

The base shoe post is available as either a 3½" OD x 10½' long pipe or 4½" OD x 10½' long pipe, both with a pipe head and four 1/2" x 18" long wedge anchors.

All post options allow height adjustments up to 10' for the waveguide bridge cover. All material is hot dip galvanized.



Kit #	Description	Qty	List Price	Wt
3½" OD Post Assemblies				
5.939.0180.001	3½" x 14' Direct Burial Post Ass'y	Ea	\$295	113
5.939.0181.001	3½" x 10½' Base Shoe Post Ass'y	Ea	\$365	104
5.939.0181.011	3½" x 10½' Base Shoe Post & Cap	Ea	\$300	98
4½" OD Post Assemblies				
5.939.0180.002	4½" x 14' Direct Burial Post Ass'y	Ea	\$423	160
5.939.0181.002	4½" x 10½' Base Shoe Post Ass'y	Ea	\$463	140
5.939.0181.012	4½" x 10½' Base Shoe Post & Cap	Ea	\$398	134
Optional Anchors				
5.939.0182.004	(4) 1/2" x 18" lg Wedge Anchors	Ea	\$49	5.4
Pipe Caps				
5.2201901	3½" ID Aluminum Pipe Cap	10/pk	\$85	10
5.2201902	4½" ID Aluminum Pipe Cap	10/pk	\$155	15

NOTE: Minimum embedment of 3½' is needed for direct burial post option.

Transmission Line Supports

Waveguide Bridge Components continued

W/G BRACE SUPPORTS

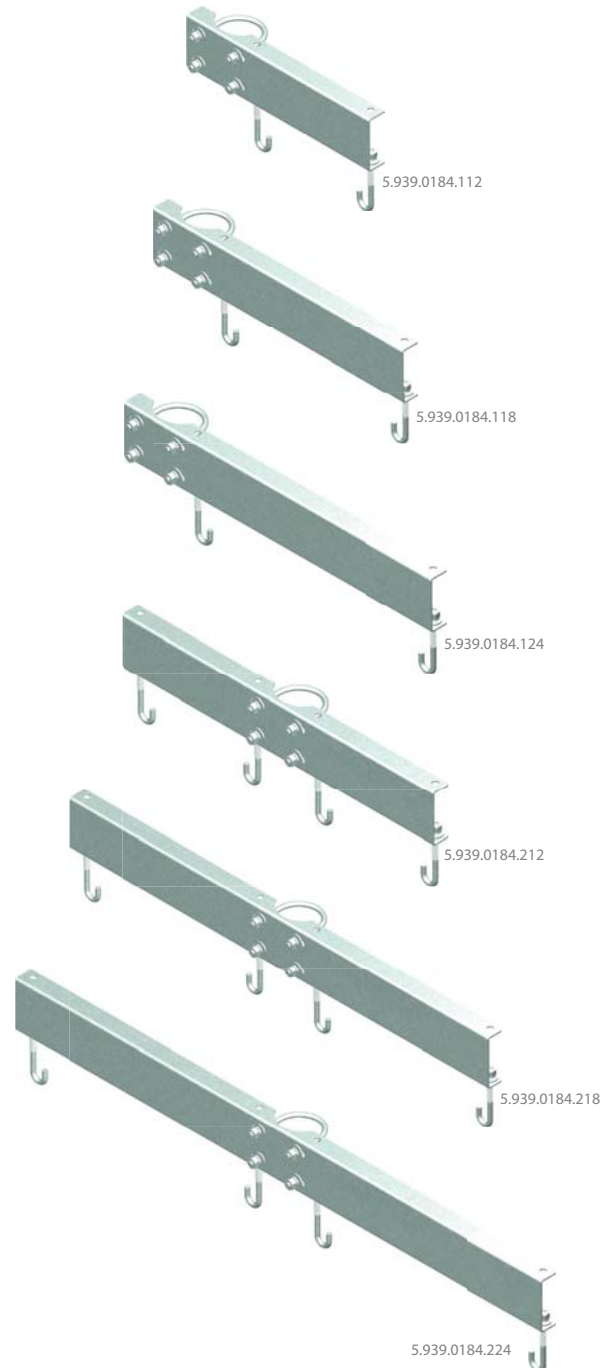
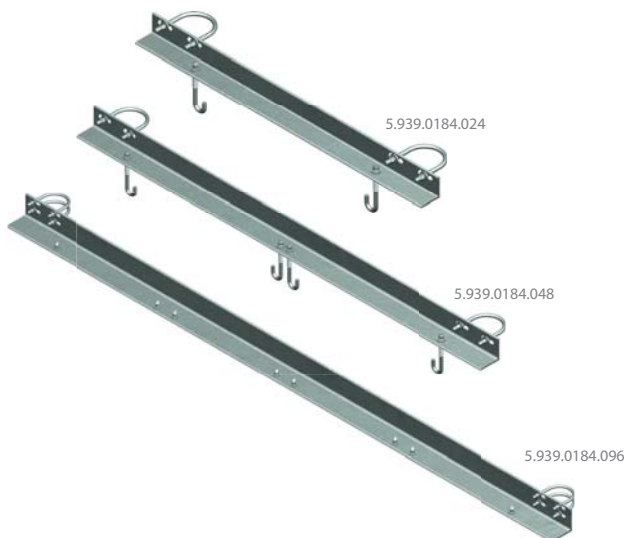
The waveguide bridge supports provide connection between the posts and covers. The assemblies are designed to work with both solid and open grated covers, and are offered in three single sided, three double sided and three canopy style options.

They have the versatility to field adjust the waveguide bridge assembly to any required height using the 1/2" u-bolt hardware, along with the option to attach to either 3/2" or 4 1/2" OD posts depending on the kit purchased.

All material is hot dip galvanized.

Kit #	Description	Qty	List Price	Wt
W/G Brace Supports (fits 3 1/2" OD Posts)				
5.939.0184.024	2' Carport Brace Kit (3 1/2" OD)	Ea	\$63	14
5.939.0184.048	4' Carport Brace Kit (3 1/2" OD)	Ea	\$98	25
5.939.0184.096	8' Carport Brace Kit (3 1/2" OD)	Ea	\$208	69
5.939.0184.112	12" SWG Brace Kit (3 1/2" OD)	Ea	\$62	8.4
5.939.0184.118	18" SWG Brace Kit (3 1/2" OD)	Ea	\$68	11
5.939.0184.124	24" SWG Brace Kit (3 1/2" OD)	Ea	\$75	12
5.939.0184.212	12" DWG Brace Kit (3 1/2" OD)	Ea	\$91	14
5.939.0184.218	18" DWG Brace Kit (3 1/2" OD)	Ea	\$101	17
5.939.0185.224	24" DWG Brace Kit (4 1/2" OD)	Ea	\$110	21

Note: SWGB stands for Single Waveguide Bridge
DWGB stands for Double Waveguide Bridge



Transmission Line Supports

Waveguide Bridge Components continued

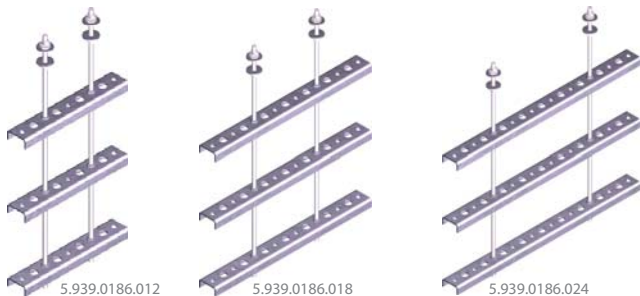
TRAPEZE KITS

The Trapeze Kits are offered in three styles: standard 3-rung trapezes for open-grated covers, 2-rung trapezes for solid covers, and 1- or 2-rung z-trapezes for open-grated covers. Each style has its own unique advantage and is offered in three widths (12", 18", and 24") mated to our covers.

All trapezes come standard with both 3/4" snap-in holes and 7/16" butterfly hanger holes for installation of transmission

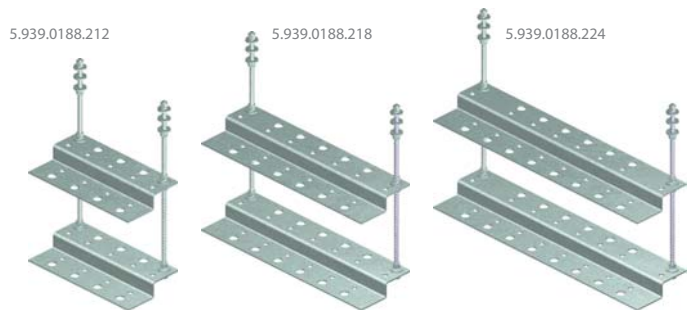
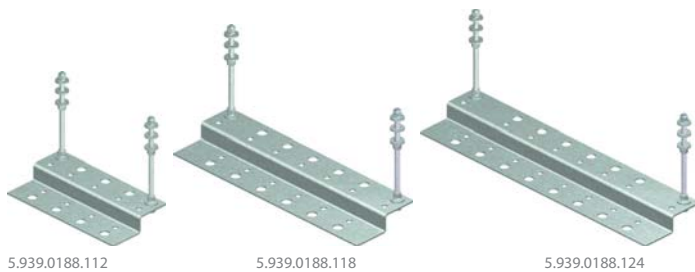
lines. The quantity of holes depends on the style and option of trapeze purchased, but can be review in the Trapeze Line Quantity Table on the following page or in the below price tables.

All hardware is included for installation. All threaded rods are stainless steel and all trapezes are hot dip galvanized to weather the elements.



Kit #	Description	Qty	List Price	Wt
3-Rung Trapeze Kits (fits open grated covers)				
5.939.0186.012	12" 3-Rung Trapeze, includes (12) 3/4" and (9) 7/16" holes	Ea	\$112	7.0
5.939.0186.018	18" 3-Rung Trapeze, includes (21) 3/4" and (18) 7/16" holes	Ea	\$128	10.0
5.939.0186.024	24" 3-Rung Trapeze, includes (27) 3/4" and (24) 7/16" holes	Ea	\$133	13.0

Kit #	Description	Qty	List Price	Wt
2-Rung Trapeze Kits (fits solid covers)				
5.939.0187.012	12" 2-Rung Trapeze, includes (8) 3/4" and (12) 7/16" holes	Ea	\$81	12.0
5.939.0187.018	18" 2-Rung Trapeze, includes (20) 3/4" and (24) 7/16" holes	Ea	\$89	15.0
5.939.0187.024	24" 2-Rung Trapeze, includes (28) 3/4" and (32) 7/16" holes	Ea	\$99	17.0



Kit #	Description	Qty	List Price	Wt
1-Rung Z-Trapeze Kits (fits open grated covers)				
5.939.0188.112	12" 1-Rung Z-Trapeze, includes (7) 3/4" and 7/16" holes	Ea	\$40	3.6
5.939.0188.118	18" 1-Rung Z-Trapeze, includes (11) 3/4" and 7/16" holes	Ea	\$44	5.2
5.939.0188.124	24" 1-Rung Z-Trapeze, includes (14) 3/4" and 7/16" holes	Ea	\$48	6.3

Kit #	Description	Qty	List Price	Wt
2-Rung Z-Trapeze Kits (fits open grated covers)				
5.939.0188.212	12" 1-Rung Z-Trapeze, includes (14) 3/4" and 7/16" holes	Ea	\$68	6.7
5.939.0188.218	18" 1-Rung Z-Trapeze, includes (22) 3/4" and 7/16" holes	Ea	\$78	9.9
5.939.0188.224	24" 1-Rung Z-Trapeze, includes (28) 3/4" and 7/16" holes	Ea	\$85	12.0

Note: These z-trapezes are stackable.

Note: These z-trapezes are stackable.

Trylon 21 South Field Drive, Elmira, ON N3B 0A6

P: 519.669.5421 F: 519.669.8912 E: info@trylon.com W: www.trylon.com

Transmission Line Supports

Waveguide Bridge Components continued

W/G SHIELD ASSEMBLY

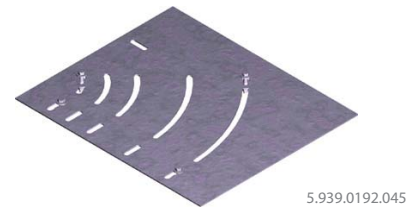
The W/G Shield Assembly offers additional transmission line protection at the end of a waveguide bridge where lines often flare out beyond the sides. The assembly is capable of connecting a range of waveguide bridges offered by Trylon, including all single and double options, and solid or open grated covers. It is recommended that supports be placed within 1' of the shield. All hardware is included for installation, and all material is hot dip galvanized.



Kit #	Description	Qty	List Price	Wt
Triple Cantilever Bridges				
5.939.0190.060	60" W/G Shield Assembly	Ea	\$150	52
5.939.0190.100	100" W/G Shield Assembly	Ea	\$228	86

ADJUSTABLE SPLICE

The versatile Adjustable Splice can connect two sections of waveguide bridge, ranging from 12" to 24" in size. They can be either solid or grated, and connect at bends from 0° to 45°. If larger angles are required, additional splices can be used together. It is recommended that supports be placed within 2' of the splice. All hardware is included for installation, and all material is hot dip galvanized. Some field drilling may be required.



Kit #	Description	Qty	List Price	Wt
Adjustable Splice				
5.939.0192.045	45° Adjustable Splice Assembly	Ea	\$107	27

Trapeze Line Quantity Table

Description	2-rung Trapeze		1-rung Z-Trapeze	
	7/16" Holes	3/4" Holes	7/16" Holes	3/4" Holes
12" SWGB	12	8	7	7
18" SWGB	24	20	11	11
24" SWGB	32	28	14	14

Description	2-rung Trapeze		1-rung Z-Trapeze	
	7/16" Holes	3/4" Holes	7/16" Holes	3/4" Holes
12" DWGB	24	16	14	14
18" DWGB	48	40	22	22
24" DWGB	64	56	28	28

Description	2-rung Trapeze		2-rung Z-Trapeze	
	7/16" Holes	3/4" Holes	7/16" Holes	3/4" Holes
2' Carport	--	--	28	28
4' Carport	64	56	56	56
8' Carport	128	112	112	112
Triple Cantilever	72	60	--	--

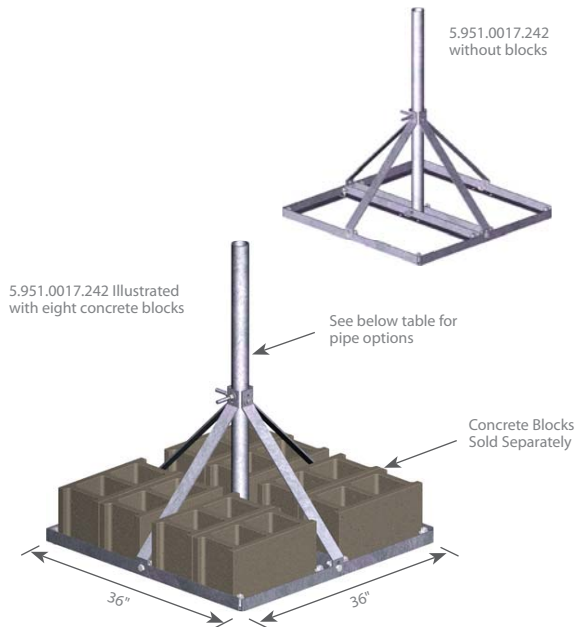
Roof Top Structures

Light Duty Ballast Mounts

The non-penetrating Light Duty Ballast Mounts can secure single wireless antennas while keeping the roof top surface free from damage.

The smooth underside of the 36" square base frame allows standard concrete blocks, 8" x 8" x 16" in size and sold separately, to be used as counterweight. Kits can be purchased with either a 1.90" OD or 2³/₈" OD pipes sizes in varying lengths.

All material is hot dip galvanized to weather the elements.



Small Ballast Mounts

The non-penetrating Small Ballast Mounts have double the capacity of the adjacent Light Duty Ballast Mounts and are ideal for mounting larger panel antennas or small dishes. The 60" x 60" base frame has a smooth underside that ensures damage free contact with the roof top, which are ballast using standard 2' x 2' patio stones (sold separately). Three pipe options are available for the main mount (2³/₈", 3¹/₂" and 4¹/₂" OD) in varying lengths to suit almost any type of antenna. The unique strut design allows $\pm 2^\circ$ panning capability, which is ideal for those slightly sloped roofs. All material is hot dip galvanized.



Quick Guide			
Size	Four pipe options	Mounts to	Non-penetrating design
Design	Light Duty Mount	Material	Hot dip galvanized steel
Feature	Simple bolt-together design	Order Separately	Concrete blocks and rubber mats

Kit #	Description	Qty	List Price	Wt
Light Duty Ballast Mounts (36" x 36" square base)				
5.951.0017.130	Light Duty Ballast Mount with a 1.90" OD x 30" pipe mount	Ea	\$240	54
5.951.0017.160	Light Duty Ballast Mount with a 1.90" OD x 60" pipe mount	Ea	\$257	61
5.951.0017.230	Light Duty Ballast Mount with a 2 ³ / ₈ " OD x 30" pipe mount	Ea	\$246	57
5.951.0017.242	Light Duty Ballast Mount with a 2 ³ / ₈ " OD x 42" pipe mount	Ea	\$254	60

Quick Guide			
Size	Three pipe options	Mounts to	Non-penetrating design
Design	Standard Mount	Material	Hot dip galvanized steel
Feature	Adjusts $\pm 2^\circ$ roof slope	Order Separately	Patio stones (2' x 2') and rubber mats

Kit #	Description	Qty	List Price	Wt
Small Ballast Mounts (60" x 60" base)				
5.951.0029.005	Small Ballast Mount with a 2 ³ / ₈ " OD x 5' pipe mount	Ea	\$570	151
5.951.0029.015	Small Ballast Mount with a 2 ³ / ₈ " OD x 15' pipe mount	Ea	\$676	189
5.951.0039.005	Small Ballast Mount with a 3 ¹ / ₂ " OD x 5' pipe mount	Ea	\$634	172
5.951.0039.008	Small Ballast Mount with a 3 ¹ / ₂ " OD x 8' pipe mount	Ea	\$699	196
5.951.0049.005	Small Ballast Mount with a 4 ¹ / ₂ " OD x 5' pipe mount	Ea	\$684	189

Trylon 21 South Field Drive, Elmira, ON N3B 0A6

P: 519.669.5421 F: 519.669.8912 E: info@trylon.com W: www.trylon.com

Roof Top Structures

Heavy Duty Roof Mounts

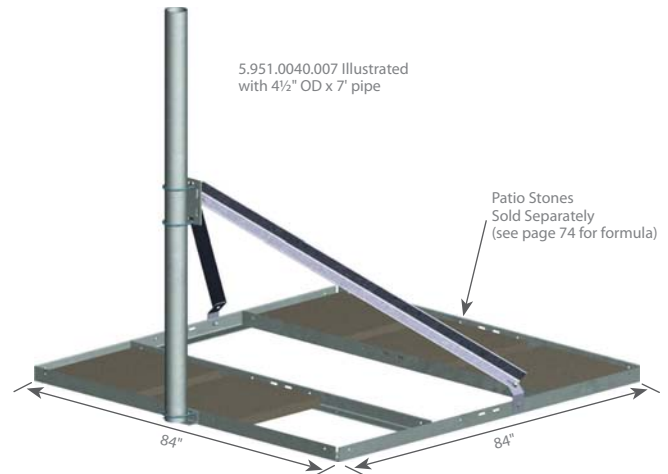
Trylon's non-penetrating Heavy Duty Roof Mounts are truly universal since they can be used as a single roof mount, or be extended to a versatile multi-panel sector frame mount (see following page).

The main mounting pipes are offered in three sizes (2 3/8", 3 1/2", and 4 1/2" OD) and two overall lengths (7' and 10'), which gives you the ability to attach a multitude of antennas. The unique strut design allows a $\pm 2^\circ$ panning adjustment of the mounting pipe from vertical, which is very useful for sloped roof tops.

Each roof mount kit comes complete with a 7' x 7' ballast tray that allow standard off-the-shelf 2' x 2' patio stones to be used as counterweight (sold separately). Additional ballast trays are optional for those heavily loaded conditions. Please call us to determine when to use extra trays and how many patio stones are required.

All material is hot dip galvanized to weather the elements.

Please call if you require a different pipe length.



Quick Guide

Size	Three pipe options with 7' or 10' lengths	Mounts to	Non-penetrating design
Design	Heavy duty roof mount	Material	Hot dip galvanized steel
Feature	Expandible and adjusts $\pm 2^\circ$ slopes	Order Separately	Penetration kits, rubber mats & 2' x 2' patio stones



Kit #	Description	Qty	List Price	Wt
2 3/8" OD Mounting Pipes				
5.951.0020.007	Heavy Duty Roof Mount with 2 3/8" OD x 7' pipe mount	Ea	\$825	259
5.951.0020.010	Heavy Duty Roof Mount with 2 3/8" OD x 10' pipe mount	Ea	\$857	270
3 1/2" OD Mounting Pipes				
5.951.0030.007	Heavy Duty Roof Mount with 3 1/2" OD x 7' pipe mount	Ea	\$912	288
5.951.0030.010	Heavy Duty Roof Mount with 3 1/2" OD x 10' pipe mount	Ea	\$979	312
4 1/2" OD Mounting Pipes				
5.951.0040.007	Heavy Duty Roof Mount with 4 1/2" OD x 7' pipe mount	Ea	\$982	312
5.951.0040.010	Heavy Duty Roof Mount with 4 1/2" OD x 10' pipe mount	Ea	\$1076	346

- Notes: 1. Each kit comes complete with vertical pipe, ballast tray and strut assembly.
 2. For the 7' pipe mounts, all other members are 7' or less in length for easy elevator access. Please verify elevator size before purchasing 10' pipe mount options.

Roof Top Structures

Heavy Duty Sector Frame Roof Mounts

Trylon's non-penetrating Heavy Duty Sector Frame Roof Mounts can install up to four antennas in a sector. As with the standard roof mounts, these mounts also have the ability to pan $\pm 2^\circ$ to accommodate sloped roof tops.

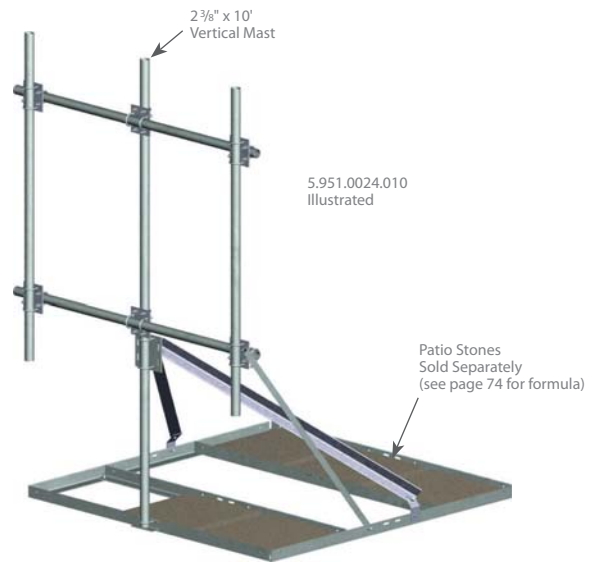
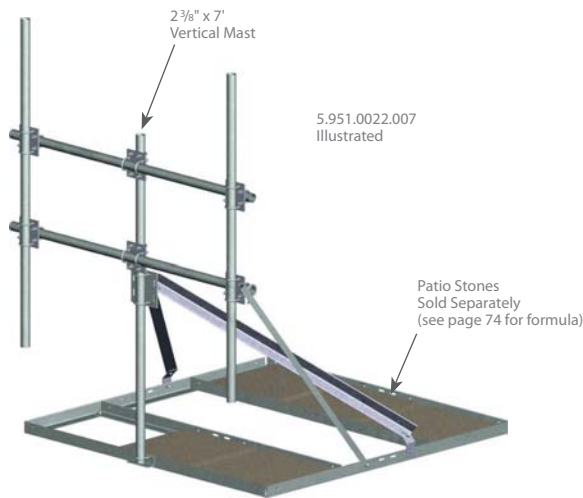
The main vertical $2\frac{3}{8}$ " OD vertical support pipes are offered in two overall heights (7' and 10'). Antenna mounting pipes are all $2\frac{3}{8}$ " OD x 7' long pipes.

Each sector frame mount kit comes complete with one non-penetrating 7' x 7' ballast tray. For larger face widths, such as 14', two side by side sectors are recommended. Since sector frames often have heavier loading requirements, additional trays and

splices may be required. Please call us to determine when to use extra trays and to find the optimal quantity of patio stones for your application.

All material is hot dip galvanized to weather the elements.

Quick Guide			
Size	7' face with 2, 3, or 4 pipe mounts	Mounts to	Non-penetrating design
Design	Heavy duty sector frame roof mount	Material	Hot dip galvanized steel
Feature	Expandable and adjusts $\pm 2^\circ$ slopes	Order Separately	Penetration kits, rubber mats & 2' x 2' patio stones



Kit #	Description	Qty	List Price	Wt
2 3/8" OD x 7' Vertical Mast Pipe				
5.951.0022.007	Heavy Duty Sector Frame with (2) 2 3/8" OD x 7' pipe mounts	Ea	\$1677	427
5.951.0023.007	Heavy Duty Sector Frame with (3) 2 3/8" OD x 7' pipe mounts	Ea	\$1894	470
5.951.0024.007	Heavy Duty Sector Frame with (4) 2 3/8" OD x 7' pipe mounts	Ea	\$2111	513

Kit #	Description	Qty	List Price	Wt
2 3/8" OD x 10' Vertical Mast Pipe				
5.951.0022.010	Heavy Duty Sector Frame with (2) 2 3/8" OD x 10' pipe mounts	Ea	\$1711	439
5.951.0023.010	Heavy Duty Sector Frame with (3) 2 3/8" OD x 10' pipe mounts	Ea	\$1928	481
5.951.0024.010	Heavy Duty Sector Frame with (4) 2 3/8" OD x 10' pipe mounts	Ea	\$2145	524

Notes: 1. Each kit comes complete with vertical pipe array, ballast tray, strut assembly, tie back, and antenna mounting pipes and hardware.
 2. For the 7' vertical support pipes, all members are 7' or less in length for easy elevator access. Please verify elevator size before purchasing 10' vertical support options.

Notes: 1. Each kit comes complete with vertical pipe array, ballast tray, strut assembly, tie back, and antenna mounting pipes and hardware.
 2. For the 7' vertical support pipes, all members are 7' or less in length for easy elevator access. Please verify elevator size before purchasing 10' vertical support options.

Roof Top Structures

Roof Top Ballast Frames

Non-penetrating Roof Top Ballast Frames enable the installation of an entire sector of wireless antennas. The frame's bottom surface is smooth to prevent roof damage and secured using standard concrete blocks (8" x 8" x 16" in size and sold separately).

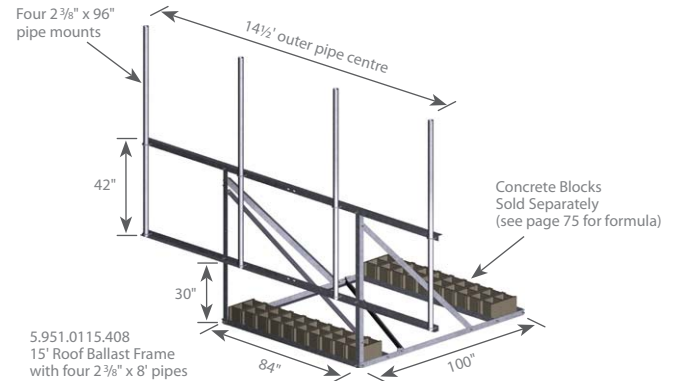
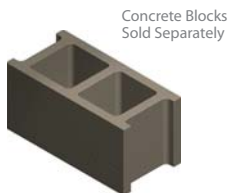
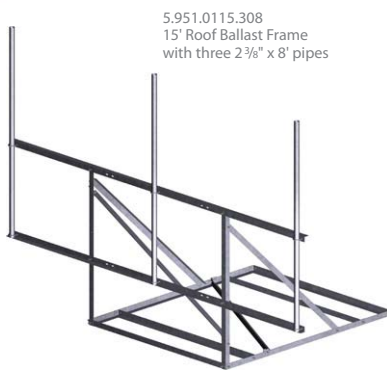
The Frames are available in 7', 12', and 15' overall face widths ensuring adequate antenna separation to suit your needs. Optional 2³/₈" pipes are pre-kitted in various lengths (72", 96", and 120"). Otherwise, our angle mounts have slotted holes to allow any length of pipes from 1⁷/₈" to 3¹/₂" OD to be installed (see page 32 for pre-kitted pipes with u-bolt hardware).

All material is hot galvanized to resist corrosion damage.

(Note, call for information regarding the amount of ballast required for your site-specific loading, or use the formula and example on page 75.)

Quick Guide

Size	7', 12', and 15' widths	Mounts to	Non-penetrating design
Design	Single sector ballast frame	Material	Hot dip galvanized steel
Feature	With or without pipe mounts	Order Separately	Concrete blocks, rubber mats, and tie-down kits



Kit #	Description	Qty	List Price	Wt
7' Wide Roof Top Ballast Frames				
5.951.0107.001	Roof Top Ballast Frame, 7' Wide No pipe mounting hardware	Ea	\$945	269
5.951.0107.206	Roof Top Ballast Frame, 7' Wide with two 2 ³ / ₈ " x 72" pipes	Ea	\$1137	318
5.951.0107.208	Roof Top Ballast Frame, 7' Wide with two 2 ³ / ₈ " x 96" pipes	Ea	\$1182	333
5.951.0107.210	Roof Top Ballast Frame, 7' Wide with two 2 ³ / ₈ " x 120" pipes	Ea	\$1224	349
12' Wide Roof Top Ballast Frames				
5.951.0112.001	Roof Top Ballast Frame, 12' Wide No pipe mounting hardware	Ea	\$1011	294
5.951.0112.306	Roof Top Ballast Frame, 12' Wide with three 2 ³ / ₈ " x 72" pipes	Ea	\$1299	368
5.951.0112.308	Roof Top Ballast Frame, 12' Wide with three 2 ³ / ₈ " x 96" pipes	Ea	\$1367	391
5.951.0112.310	Roof Top Ballast Frame, 12' Wide with three 2 ³ / ₈ " x 120" pipes	Ea	\$1430	414
5.951.0112.406	Roof Top Ballast Frame, 12' Wide with four 2 ³ / ₈ " x 72" pipes	Ea	\$1395	393
5.951.0112.408	Roof Top Ballast Frame, 12' Wide with four 2 ³ / ₈ " x 96" pipes	Ea	\$1485	424
5.951.0112.410	Roof Top Ballast Frame, 12' Wide with four 2 ³ / ₈ " x 120" pipes	Ea	\$1569	454
15' Wide Roof Top Ballast Frames				
5.951.0115.001	Roof Top Ballast Frame, 15' Wide No pipe mounting hardware	Ea	\$1062	310
5.951.0115.306	Roof Top Ballast Frame, 15' Wide with three 2 ³ / ₈ " x 72" pipes	Ea	\$1350	384
5.951.0115.308	Roof Top Ballast Frame, 15' Wide with three 2 ³ / ₈ " x 96" pipes	Ea	\$1418	407
5.951.0115.310	Roof Top Ballast Frame, 15' Wide with three 2 ³ / ₈ " x 120" pipes	Ea	\$1481	430
5.951.0115.406	Roof Top Ballast Frame, 15' Wide with four 2 ³ / ₈ " x 72" pipes	Ea	\$1446	408
5.951.0115.408	Roof Top Ballast Frame, 15' Wide with four 2 ³ / ₈ " x 96" pipes	Ea	\$1536	439
5.951.0115.410	Roof Top Ballast Frame, 15' Wide with four 2 ³ / ₈ " x 120" pipes	Ea	\$1620	470

NOTE: The outer pipe to pipe counter distance will be a 1/2' less than given face width (e.g. 15' has 14¹/₂' pipe-pipe centre).

Roof Top Structures

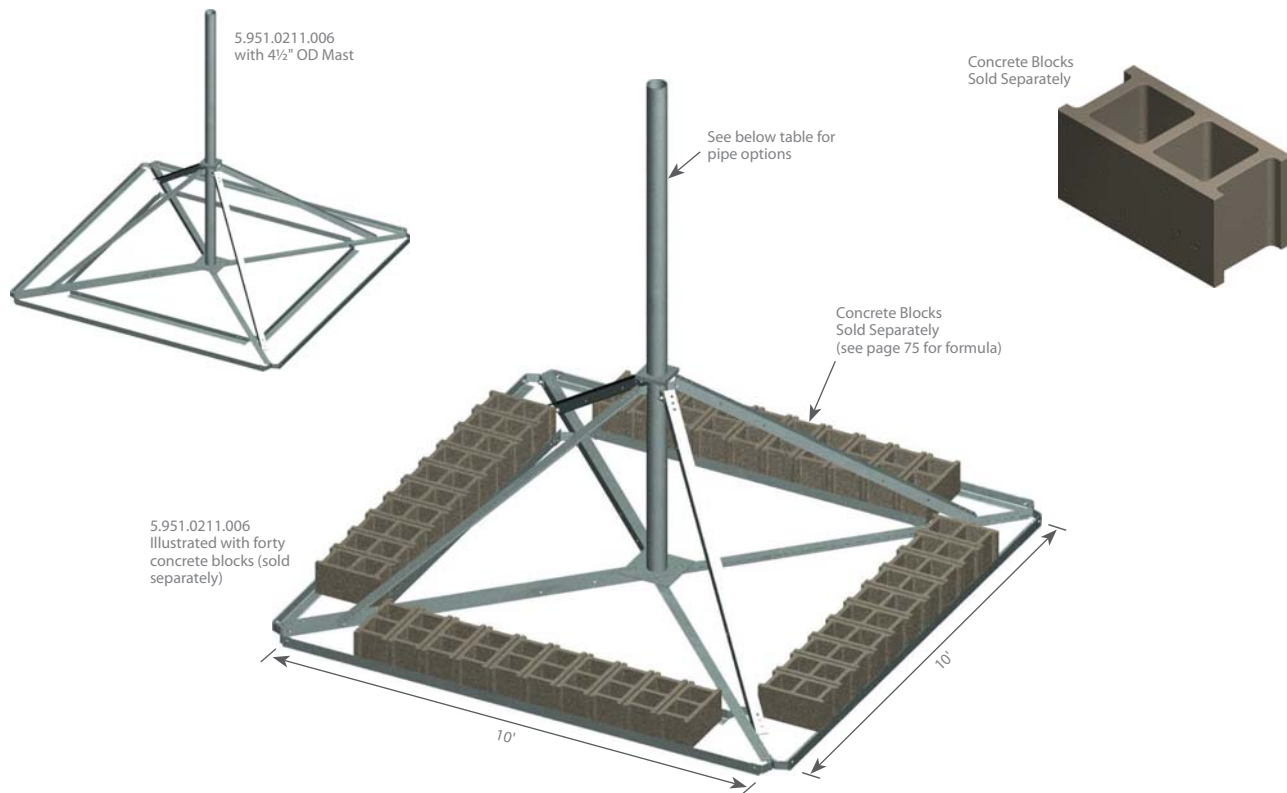
10' x 10' Ballast Mounts

The 10' x 10' Ballast Mount Kits are Trylon's largest non-penetrating roof mounts. The large 10' x 10' base area has a smooth underside to protect roof surface from damage and secured with standard 8" x 8" x 16" concrete blocks, sold separately. It's large area give this mount an increased tip-over capacity compared to other roof mount options available.

Four pipe options are available for the main mast (2 3/8", 2 7/8", 3 1/2" and 4 1/2" OD) all in 6' lengths to suit almost any type of antenna. This 6' mast gives an overall maximum height of 10' above the roof surface.

All material is hot dip galvanized after fabrication.

(Note, call for information regarding the amount of ballast required for your site-specific loading, or use the formula and example on page 75.)



Quick Guide			
Size	Four pipe size options	Mounts to	Non-penetrating design
Design	Simple bolt-together design	Material	Hot dip galvanized steel
Feature	Large tip-over capacity	Order Separately	8" x 8" x 16" Concrete blocks

Kit #	Description	Qty	List Price	Wt
Ballast Mounts (10' x 10' base)				
5.951.0211.006	10' x 10' Ballast Mount with a 4 1/2" OD Pipe Mast	Ea	\$1785	541
5.951.0212.006	10' x 10' Ballast Mount with a 3 1/2" OD Pipe Mast	Ea	\$1731	522
5.951.0213.006	10' x 10' Ballast Mount with a 2 7/8" OD Pipe Mast	Ea	\$1698	512
5.951.0214.006	10' x 10' Ballast Mount with a 2 3/8" OD Pipe Mast	Ea	\$1662	498

Trylon 21 South Field Drive, Elmira, ON N3B 0A6

P: 519.669.5421 F: 519.669.8912 E: info@trylon.com W: www.trylon.com

Roof Top Structures

Roof Mount Add-On Components

BALLAST TRAY EXTENSION KITS

The non-penetrating Ballast Tray Extension kits, in conjunction with splice plates (sold separately), allow either our Small Ballast Mount (26" x 60") or our Heavy Duty Roof Mount (26" x 85") kits to have extended counter balance capacity. The trays are ballast secured using standard 2' x 2' patio stones which fit easily inside either tray option. All material is hot dip galvanized.

Call us on when to utilize these extension kits.

TRAY SPLICE

Tray Splices allow horizontal or vertical connections between two Ballast Trays. All hardware is included for one splice connection and all material is hot dip galvanized.

BALLAST TIE-DOWN KIT

Ballast Tie-Down Kits provide added reassurance for securing the patio stones or concrete blocks in the trays. The kit will hold three to six layers of standard 2" high patio stones, or 12" high concrete blocks through its 13" long j-bolts. All material is hot dip galvanized.

PENETRATING KIT

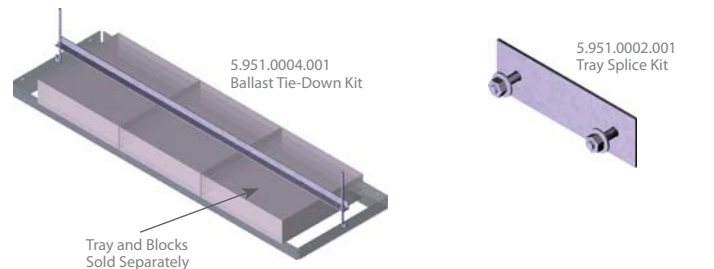
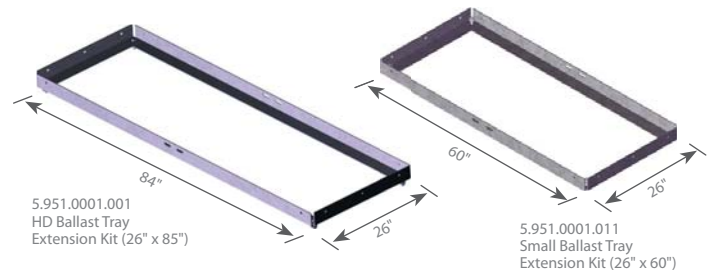
Roof Penetrating Kits come standard with a penetration plate and 1/2" A325 bolt to attach to the Ballast Tray. Trylon recommends installing one kit per tray corner. Actual roof penetration hardware is sold separately. However, one recommended method is to use the wedge anchors on page 80.

ROOF MOUNT TIE-BACK ASSEMBLIES

The Roof Mount Tie-Back Assemblies are used to stabilize an array of antennas secured to the roof mount tray. Two options are offered, one is universal and can attach up to 3 1/2" OD pipes at one end, while the standard tie back assembly fits 2 3/8" pipes at the other end. All hardware is hot dip galvanized.

RUBBER MAT

Rubber Mats may be used under any of Trylon's non-penetrating Roof Mounts to prevent damage to the roof surface and prevent the mount from sliding due to wind vibration. Individually sized to 5' x 7' x 1/2" thick mats.

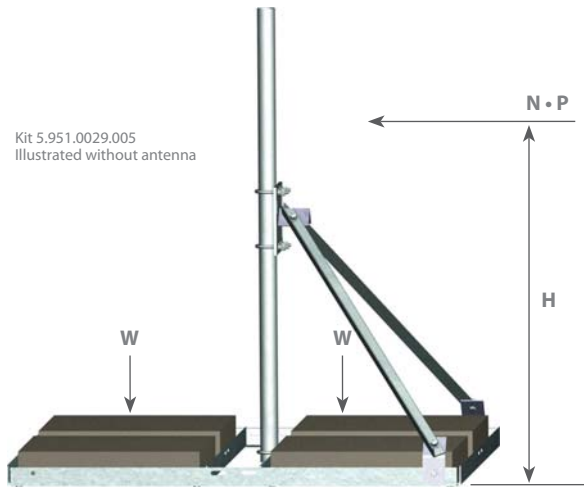


Kit #	Description	Qty	List Price	Wt
Roof Mount Components				
5.951.0001.001	26" x 85" Tray Extension Kit	Ea	\$196	73
5.951.0001.011	26" x 60" Tray Extension Kit	Ea	\$149	50
5.951.0002.001	Tray Splice Assembly	Ea	\$19	2
5.951.0004.001	Ballast Tie-Down Kit	Ea	\$58	18
5.951.0005.001	Penetrating Kit	Ea	\$28	7
5.951.0006.001	Universal Roof Mount Tie-Back Kit	Ea	\$190	43
5.951.0006.002	2 3/8" Roof Mount Tie-Back Kit	Ea	\$44	14
5.2205076	Rubber Mat, 5' x 7' x 1/2"	Ea	\$267	100

Roof Top Structures

Small Ballast Formula

(for Small Ballast Frames on page 68)



Formula:

$$W = 0.35 N P H - 5 \text{ [equation includes standard CSA factors of safety for overturning]}$$

Where W = required ballast per tray in pounds (two trays per mount)
 N = number of antennas
 P = wind load of one antenna in pounds ($qCeCgCa \cdot CdAa$)
 H = height of antenna centreline above roof surface

Total ballast required is $2 \cdot W$

Example:

N = 1 antenna (2ft Parabolic Dish has 3.14ft²)
 P = 153 lbs wind load ($3.14ft^2 \cdot 1.5Cd \cdot 10psf \cdot 1.25Ce \cdot 2Cg \cdot 1.3Ca$)
 H = 4' antenna centreline above roof

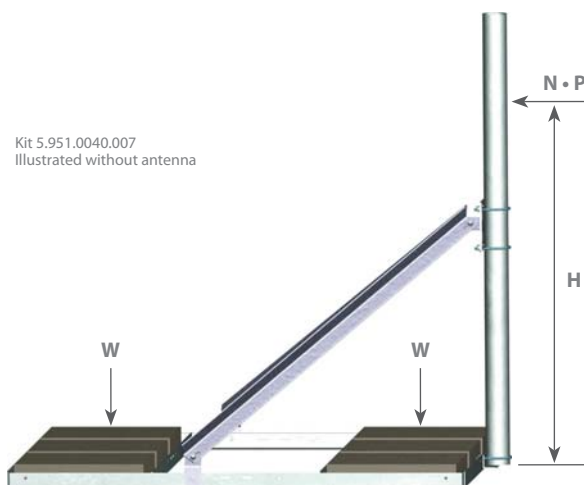
$$\text{Formula: } W = (0.35) \cdot (1) \cdot (153) \cdot (4) - 5 = 209 \text{ lbs}$$

Total ballast required is $2W$, therefore 418 lbs is required.

Please verify weight of the patio stones being purchased from the supplier.

Heavy Duty Roof Formula

(for Heavy Duty Roof Mounts on page 69)



Formula:

$$W = 0.25 N P H - 5 \text{ [equation includes standard CSA factors of safety for overturning]}$$

Where W = required ballast per tray in pounds (two trays per mount)
 N = number of antennas
 P = wind load of one antenna in pounds ($qCeCgCa \cdot CdAa$)
 H = height of antenna centreline above roof surface

Total ballast required is $2 \cdot W$

Example:

N = 1 antenna (4ft Parabolic Dish has 18.9ft² drag area)
 P = 31 psf wind pressure (local code for 450Pa at 110ft)
 H = 6' antenna centreline above roof

$$\text{Formula: } W = (0.25) \cdot (1) \cdot (18.9 \cdot 31) \cdot (6) - 5 = 874 \text{ lbs}$$

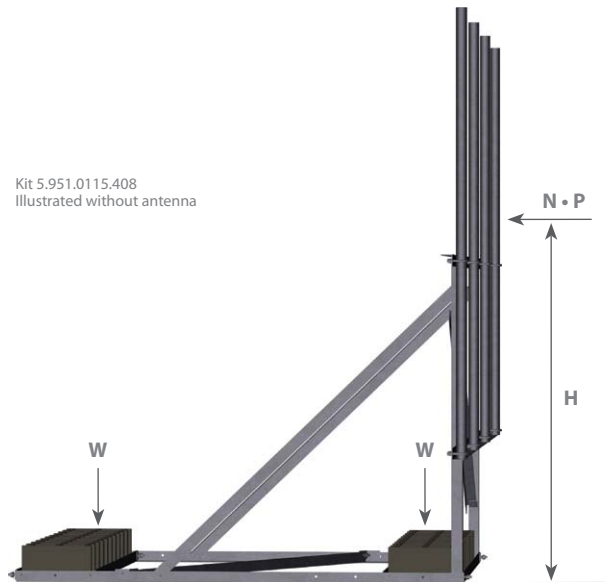
Total ballast required is $2W$, therefore 1748 lbs is required.

Please verify weight of the patio stones being purchased from the supplier.

Roof Top Structures

Roof Top Ballast Formula

(for Roof Top Ballast Frames on page 71)



Formula:

$$W = 0.21 N P H + 86 \text{ [equation includes standard CSA factors of safety for overturning]}$$

Where W = required ballast per tray in pounds (two trays per mount)

N = number of antennas

P = wind load of one antenna in pounds ($qCeCgCa \cdot CdAa$)

H = height of antenna centreline above roof surface

Total ballast required is $2 \cdot W$

Example:

$N = 4$ antennas

$P = 100$ lbs wind load per antenna

$H = 75$ " antenna centreline above roof

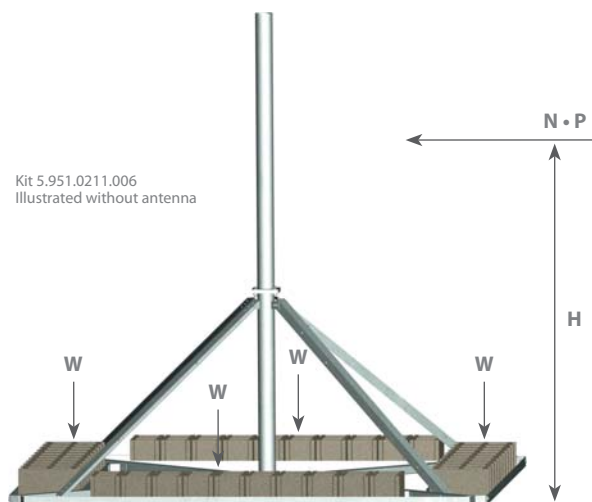
Formula: $W = (0.21) \cdot (4) \cdot (100) \cdot (6.25) + 86 = 611$ lbs

Total ballast required is $2W$, therefore 1222 lbs is required.

Please verify weight of the concrete blocks being purchased from the supplier.

10' x 10' Ballast Formula

(for 10' x 10' Ballast Mounts on page 72)



Formula:

$$W = 0.09 N P H - 40 \text{ [equation includes standard CSA factors of safety for overturning]}$$

Where W = required ballast per tray in pounds (two trays per mount)

N = number of antennas

P = wind load of one antenna in pounds ($qCeCgCa \cdot CdAa$)

H = height of antenna centreline above roof surface

Total ballast required is $4 \cdot W$

Example:

$N = 1$ antenna

$P = 700$ lbs wind load per antenna

$H = 9$ ' antenna centreline above roof

Formula: $W = (0.09) \cdot (1) \cdot (700) \cdot (9) - 40 = 527$ lbs

Total ballast required is $4W$, therefore 2108 lbs is required.

Please verify weight of the concrete blocks being purchased from the supplier.

Roof Top Structures

Clip Angle Kits

Trylon's Clip Angle Kits provide a strong and secure solution for mounting microwave, directional or omni antennas. This versatile mount will accept 1 7/8" to 4 1/2" OD pipes, sold separately, to customize the application to suit your specific needs. They are offered in four sizes: small, medium, large and adjustable. The small clip series has the capability of attaching pipes ranging from 1 7/8" to 3 1/2" OD in size. The medium clips

series is a little more robust and can attach pipes ranging from 1 7/8" to 4 1/2" OD. The large clips are our strongest and comes with double u-bolts that can attach pipes ranging from 1 7/8" to 4 1/2" OD. Lastly, our large adjustable series of clip angles have slotted holes that allow up to 1 1/2" panning capability. The 1/2" A325 bolt assemblies are typically spaced on 3" centres, except for the small series that are spaced on 6" centres. All material is hot dip galvanized.



Kit #	Description	Qty	List Price	Wt
Small Clip Angle Kits				
5.960.0011.100	Small Clip Angle Kit	Ea	\$23	3.4
5.960.0011.101	Small Clip Angle Kit fits 2 3/8" OD pipe	Ea	\$35	4.2
5.960.0011.102	Small Clip Angle Kit fits 3" OD pipe	Ea	\$35	4.3
5.960.0011.103	Small Clip Angle Kit fits 3 1/2" OD pipe	Ea	\$36	4.3

Note: Two 9/16" holes are spaced on 6" centres.

Kit #	Description	Qty	List Price	Wt
Medium Clip Angle Kits				
5.960.0012.100	Medium Clip Angle Kit	Ea	\$33	6.3
5.960.0012.101	Medium Clip Angle Kit fits 2 3/8" OD pipe	Ea	\$45	7.1
5.960.0012.102	Medium Clip Angle Kit fits 3" OD pipe	Ea	\$47	7.2
5.960.0012.103	Medium Clip Angle Kit fits 3 1/2" OD pipe	Ea	\$47	7.2
5.960.0012.104	Medium Clip Angle Kit fits 4 1/2" OD pipe	Ea	\$48	7.4

Note: Three 9/16" holes are spaced on 3" centres.



Kit #	Description	Qty	List Price	Wt
Large Clip Angle Kits				
5.960.0013.100	Large Clip Angle Kit	Ea	\$60	12.0
5.960.0013.101	Large Clip Angle Kit fits 2 3/8" OD pipe	Ea	\$84	13.0
5.960.0013.102	Large Clip Angle Kit fits 3" OD pipe	Ea	\$87	13.0
5.960.0013.103	Large Clip Angle Kit fits 3 1/2" OD pipe	Ea	\$89	13.0
5.960.0013.104	Large Clip Angle Kit fits 4 1/2" OD pipe	Ea	\$90	14.0

Note: Three 9/16" holes are spaced on 3" centres.

Kit #	Description	Qty	List Price	Wt
Large Adjustable Clip Angle Kits				
5.960.0014.100	Large Adjustable Clip Angle Kit	Ea	\$62	11.0
5.960.0014.101	Large Adjustable Clip Angle Kit fits 2 3/8" OD pipe	Ea	\$86	13.0
5.960.0014.102	Large Adjustable Clip Angle Kit fits 3" OD pipe	Ea	\$89	13.0
5.960.0014.103	Large Adjustable Clip Angle Kit fits 3 1/2" OD pipe	Ea	\$90	13.0
5.960.0014.104	Large Adjustable Clip Angle Kit fits 4 1/2" OD pipe	Ea	\$92	13.0

Note: Three 9/16" slots are spaced on 3" centres.

Trylon 21 South Field Drive, Elmira, ON N3B 0A6

T: 519.669.5421 F: 519.669.8912 E: info@trylon.com W: www.trylon.com

Roof Top Structures

Clip Mount Kits

Our Clip Mount Kits are an extension of the adjacent clip angle kits but come standard with an additional reversible bottom angle. For wall mounting applications and sold separately, we have standard bracket options available on page 80 that can connect to concrete walls (5.951.0010.005) or combined concrete/brick walls (5.951.0011.005) up to 16" thick. See page

80 for other wall bracket possibilities. For tower leg mounting applications, these clip mount kits can be used with the backing assemblies on page 14 (sold separately) to suit almost any tower leg possibility. All material is hot dip galvanized to for maximum protection.

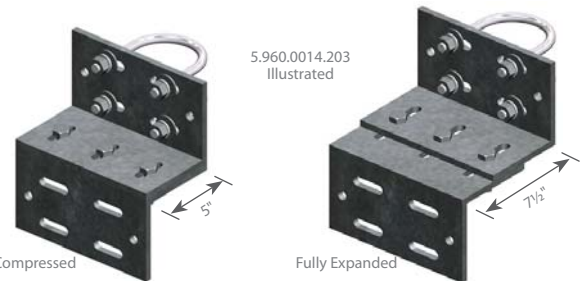
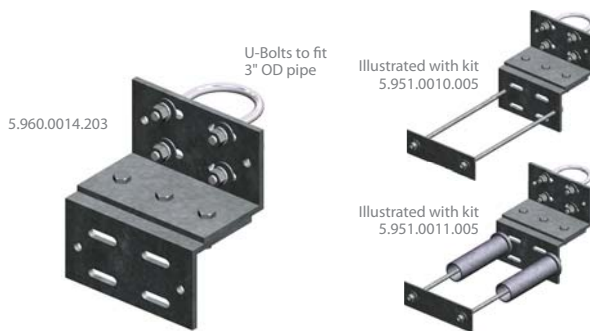


Kit #	Description	Qty	List Price	Wt
Small Clip Mount Kits				
5.960.0011.200	Small Clip Mount Kit	Ea	\$39	6.6
5.960.0011.201	Small Clip Mount Kit fits 2 3/8" OD pipe	Ea	\$51	7.3
5.960.0011.202	Small Clip Mount Kit fits 3" OD pipe	Ea	\$51	7.4
5.960.0011.203	Small Clip Mount Kit fits 3 1/2" OD pipe	Ea	\$53	7.4

Note: Two 9/16" holes are spaced on 6" centres.

Kit #	Description	Qty	List Price	Wt
Medium Clip Mount Kits				
5.960.0012.200	Medium Clip Mount Kit	Ea	\$57	12.0
5.960.0012.201	Medium Clip Mount Kit fits 2 3/8" OD pipe	Ea	\$69	13.0
5.960.0012.202	Medium Clip Mount Kit fits 3" OD pipe	Ea	\$71	13.0
5.960.0012.203	Medium Clip Mount Kit fits 3 1/2" OD pipe	Ea	\$71	13.0
5.960.0012.204	Medium Clip Mount Kit fits 4 1/2" OD pipe	Ea	\$72	13.0

Note: Three 9/16" holes are spaced on 3" centres.



Kit #	Description	Qty	List Price	Wt
Large Clip Mount Kits				
5.960.0013.200	Large Clip Mount Kit	Ea	\$91	22.0
5.960.0013.201	Large Clip Mount Kit fits 2 3/8" OD pipe	Ea	\$112	24.0
5.960.0013.202	Large Clip Mount Kit fits 3" OD pipe	Ea	\$114	24.0
5.960.0013.203	Large Clip Mount Kit fits 3 1/2" OD pipe	Ea	\$116	24.0
5.960.0013.204	Large Clip Mount Kit fits 4 1/2" OD pipe	Ea	\$117	24.0

Note: Three 9/16" holes are spaced on 3" centres.

Kit #	Description	Qty	List Price	Wt
Large Adjustable Clip Mount Kits				
5.960.0014.200	Large Adjustable Clip Mount Kit	Ea	\$94	22.0
5.960.0014.201	Large Adjustable Clip Mount Kit fits 2 3/8" OD pipe	Ea	\$114	23.0
5.960.0014.202	Large Adjustable Clip Mount Kit fits 3" OD pipe	Ea	\$117	24.0
5.960.0014.203	Large Adjustable Clip Mount Kit fits 3 1/2" OD pipe	Ea	\$118	24.0
5.960.0014.204	Large Adjustable Clip Mount Kit fits 4 1/2" OD pipe	Ea	\$120	24.0

Note: Three 9/16" slots are spaced on 3" centres.

Roof Top Structures

Light Standoff Wall Mounts

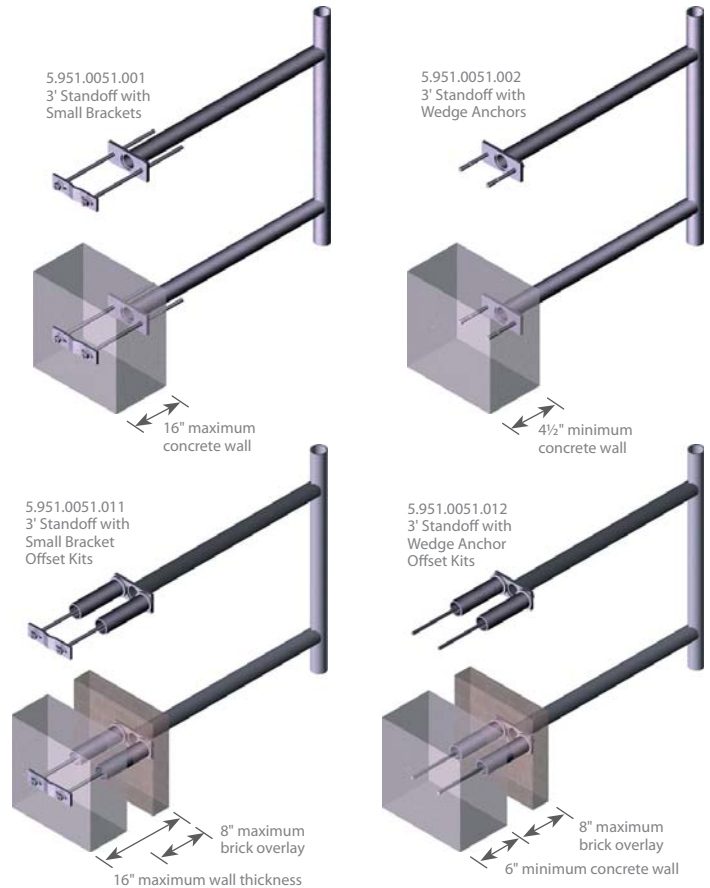
Light Standoff Wall Mounts are the complete wall mounting solution for wireless omni-directional antennas. They come in five standard offsets ranging from 2' to 6' in 1' increments.

To save time in ordering the wall mount brackets separately, we have pre-kitted the basic options shown on page 80. There are two standard wall brackets: one for thru-wall two-point connections to concrete walls up to 16" thick (small bracket kits), and the other for partial wall penetration (wedge anchor kits). Also, there are two offset brackets to accommodate attachment to concrete walls with an external overlay such as brick. The small offset bracket will fit walls with a combined 16" thickness with a maximum 8" overlay. The wedge anchor offset kits can anchor into a 6" minimum concrete wall with an 8" maximum overlay. Please review page 80 descriptions for further clarification on the mounting brackets.

All material is hot dip galvanized to weather the elements.

Quick Guide			
Size	5 offset sizes and 4 mounting options	Mounts to	Concrete walls with, and without, overlays
Design	One piece welded frame	Material	Hot dip galvanized steel
Feature	2 3/8" OD x 3' mounting pipe	Order Separately	N/A

Kit #	Description	Qty	List Price	Wt
Light - 2' Standoff				
5.951.0050.001	2' S/O with Small Bracket Kits	Ea	\$209	39
5.951.0050.002	2' S/O with Wedge Anchor Kits	Ea	\$256	33
5.951.0050.011	2' S/O with Small Bracket Offset Kits	Ea	\$303	52
5.951.0050.012	2' S/O with Wedge Anchor Offset Kits	Ea	\$339	50
Light - 3' Standoff				
5.951.0051.001	3' S/O with Small Bracket Kits	Ea	\$229	47
5.951.0051.002	3' S/O with Wedge Anchor Kits	Ea	\$276	41
5.951.0051.011	3' S/O with Small Bracket Offset Kits	Ea	\$322	60
5.951.0051.012	3' S/O with Wedge Anchor Offset Kits	Ea	\$359	57



Kit #	Description	Qty	List Price	Wt
Light - 4' Standoff				
5.951.0052.001	4' S/O with Small Bracket Kits	Ea	\$289	62
5.951.0052.002	4' S/O with Wedge Anchor Kits	Ea	\$335	56
5.951.0052.011	4' S/O with Small Bracket Offset Kits	Ea	\$382	75
5.951.0052.012	4' S/O with Wedge Anchor Offset Kits	Ea	\$419	72
Light - 5' Standoff				
5.951.0053.001	5' S/O with Small Bracket Kits	Ea	\$308	69
5.951.0053.002	5' S/O with Wedge Anchor Kits	Ea	\$355	64
5.951.0053.011	5' S/O with Small Bracket Offset Kits	Ea	\$402	83
5.951.0053.012	5' S/O with Wedge Anchor Offset Kits	Ea	\$438	80
Light - 6' Standoff				
5.951.0054.001	6' S/O with Small Bracket Kits	Ea	\$326	77
5.951.0054.002	6' S/O with Wedge Anchor Kits	Ea	\$373	71
5.951.0054.011	6' S/O with Small Bracket Offset Kits	Ea	\$420	90
5.951.0054.012	6' S/O with Wedge Anchor Offset Kits	Ea	\$456	88

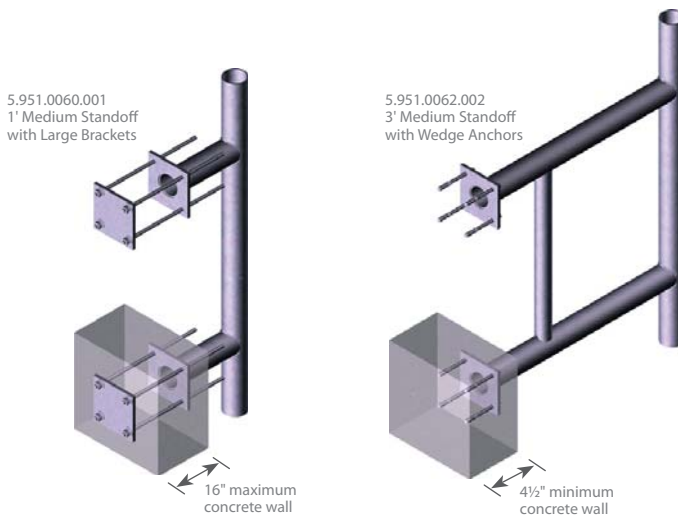
Trylon 21 South Field Drive, Elmira, ON N3B 0A6

P: 519.669.5421 F: 519.669.8912 E: info@trylon.com W: www.trylon.com

Roof Top Structures

Medium Standoff Wall Mounts

Medium Standoff Wall Mounts are offered in three sizes (1', 2', and 3') to suit your specific application. Its versatile 3½" ODx52" long pipe can accommodate small dishes, t-frames and most wireless or panel antennas. Like the light standoffs on page 78, the medium standoffs are offered in two standard wall brackets and two offset brackets to accommodate the majority of concrete wall installations. Please review pages 78 and 80 for descriptions and further clarification on the mounting brackets. All material is hot dip galvanized.



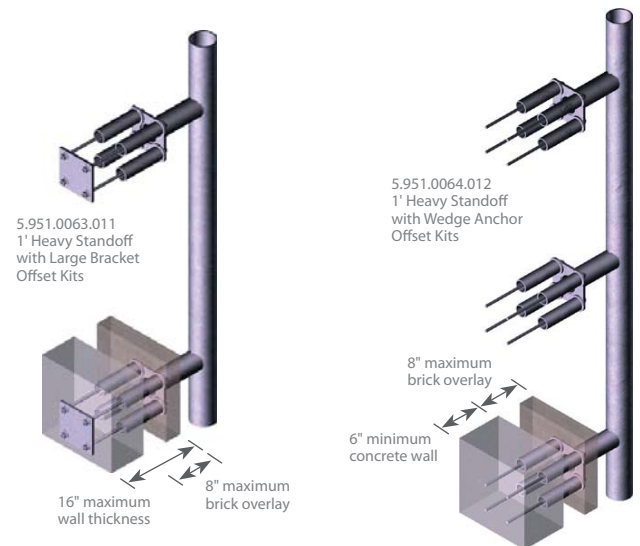
Kit #	Description	Qty	List Price	Wt
Medium - 1' Standoff				
5.951.0060.001	1' S/O with Large Bracket Kits	Ea	\$378	84
5.951.0060.002	1' S/O with Wedge Anchor Kits	Ea	\$435	65
5.951.0060.011	1' S/O with Large Bracket Offset Kits	Ea	\$558	111
5.951.0060.012	1' S/O with Wedge Anchor Offset Kits	Ea	\$595	97
Medium - 2' Standoff				
5.951.0061.001	2' S/O with Large Bracket Kits	Ea	\$415	100
5.951.0061.002	2' S/O with Wedge Anchor Kits	Ea	\$473	81
5.951.0061.011	2' S/O with Large Bracket Offset Kits	Ea	\$595	127
5.951.0061.012	2' S/O with Wedge Anchor Offset Kits	Ea	\$633	113
Medium - 3' Standoff				
5.951.0062.001	3' S/O with Large Bracket Kits	Ea	\$496	125
5.951.0062.002	3' S/O with Wedge Anchor Kits	Ea	\$554	105
5.951.0062.011	3' S/O with Large Bracket Offset Kits	Ea	\$676	151
5.951.0062.012	3' S/O with Wedge Anchor Offset Kits	Ea	\$714	138

Heavy Standoff Wall Mounts

Heavy Standoff Wall Mounts are capable of holding large 12" microwave dishes. The 4½" OD mounting pipe is available in two lengths, 6' and 8', and has a standard 1' offset. Similar to light and medium standoffs, heavy standoffs are offered in two standard wall brackets and two offset brackets to accommodate most concrete wall mounting scenarios. Please review pages 78 and 80 for descriptions and further clarification on the wall mounting brackets. All material is hot dip galvanized.

Quick Guide

Size	5 offset sizes and 4 mounting options	Mounts to	Concrete walls with, and without, overlays
Design	One piece welded frame	Material	Hot dip galvanized steel
Feature	3½" x 52" pipe mount and 4½" x 6' or 8' pipe mounts	Order Separately	Wireless Frames (18-19) Stabilizer Clips (pg 80)

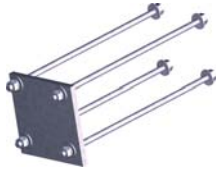


Kit #	Description	Qty	List Price	Wt
Heavy - 1' Standoff with 4½" x 6' Pipe				
5.951.0063.001	1' S/O with Large Bracket Kits	Ea	\$477	117
5.951.0063.002	1' S/O with Wedge Anchor Kits	Ea	\$537	97
5.951.0063.011	1' S/O with Large Bracket Offset Kits	Ea	\$664	143
5.951.0063.012	1' S/O with Wedge Anchor Offset Kits	Ea	\$703	130
Heavy - 1' Standoff with 4½" x 8' Pipe				
5.951.0064.001	1' S/O with Large Bracket Kits	Ea	\$683	164
5.951.0064.002	1' S/O with Wedge Anchor Kits	Ea	\$772	134
5.951.0064.011	1' S/O with Large Bracket Offset Kits	Ea	\$963	203
5.951.0064.012	1' S/O with Wedge Anchor Offset Kits	Ea	\$1022	183

Roof Top Structures



5.951.0010.001
Small Bracket Kit



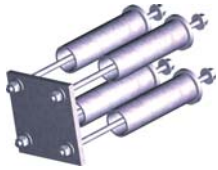
5.951.0010.002
Large Bracket Kit



5.951.0010.003
Wedge Anchor Kit



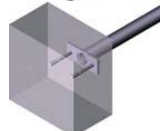
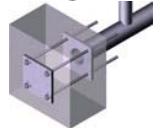
5.951.0011.001
Small Bracket Offset Kit



5.951.0011.002
Large Bracket Offset Kit



5.951.0011.003
Wedge Anchor Offset Kit



Wall Mount Brackets

Wall Mount Brackets can be purchased separately and will easily fit any Trylon standoff (pages 2 to 7), single arm standoff (page 16), or T-frame configuration (pages 25 to 29).

Standard brackets and offset brackets accommodate different types of wall mount applications. All material is hot dip galvanized.

STANDARD BRACKETS

Standard Wall Mount Brackets provide the ideal concrete wall mounting solution, while minimizing drilling impact during installation. Five assembly options are available: small bracket, large bracket, wedge anchor, adhesive capsule, and clip angle bracket.

The small bracket is installed via a thru-wall two-point connection of 1/2" threaded rods and a small backing plate. The large bracket is installed via a thru-wall four-point connection of 1/2" threaded rods and a larger square backer plate. The wedge anchor is installed with an expansion bolt and is used when partial wall penetration is desired. The adhesive kit includes two tubes for 1/2" anchors. While the clip angle bracket is specific for the Clip Mount Kits on page 77. Note, both the small, large, and clip angle brackets can attach to concrete walls up to 16" thickness, whereas the wedge anchor requires a minimum wall thickness of 4 1/2" for proper anchoring.

OFFSET BRACKETS

Wall Mounted Offset Brackets provide the mounting alternative for concrete walls with brick or siding overlays. Four offset assembly options are available: small bracket, large bracket, wedge anchor, and clip angle brackets.

The small, large, and clip angle offset brackets have 1/2" rods, backing plates and offset sleeves that fit up to a combined 16" wall thickness, but this includes a maximum 8" exterior overlay. The wedge anchor offset assembly utilizes 1/2" rods, offset sleeves and an adhesive compound anchored to a minimum 6" concrete wall thickness with a maximum 8" exterior thickness.

STABILIZER CLIPS

Wall Mounted Stabilizer Clips are used to attach the stabilizer arms of microwave dishes to various types of walls. Four options have been kitted using standard and offset brackets with our standard stabilizer clip.



Kit #	Description	Qty	List Price	Wt
Standard Brackets				
5.951.0010.001	Small Bracket Kit	Ea	\$26	4.0
5.951.0010.002	Large Bracket Kit	Ea	\$66	12.0
5.951.0010.003	Wedge Anchor Kit	Ea	\$45	1.0
5.951.0010.004	Adhesive Capsule Kit	Ea	\$20	0.2
5.951.0010.005	Clip Angle Bracket Kit	Ea	\$28	4.0
Offset Brackets				
5.951.0011.001	Small Bracket Offset Kit	Ea	\$92	11.0
5.951.0011.002	Large Bracket Offset Kit	Ea	\$203	25.0
5.951.0011.003	Wedge Anchor Offset Kit	Ea	\$113	9.2
5.951.0011.005	Clip Angle Bracket Offset Kit	Ea	\$95	11.0
Stabilizer Assemblies				
5.951.0014.001	Stabilizer Clip, with Small Bracket	Ea	\$54	9.2
5.951.0014.002	Stabilizer Clip, with Wedge Anchors	Ea	\$76	6.3
5.951.0014.011	Stabilizer Clip, Small Offset Bracket	Ea	\$97	16.0
5.951.0014.012	Stabilizer Clip, Wedge Offset Anchors	Ea	\$114	15.0
Stabilizer Assemblies				
5.951.1014.012	3/4" x 10" long Sleeve Pipe	Ea	\$8	1.1

Trylon 21 South Field Drive, Elmira, ON N3B 0A6

P: 519.669.5421 F: 519.669.8912 E: info@trylon.com W: www.trylon.com

Miscellaneous Tower Accessories

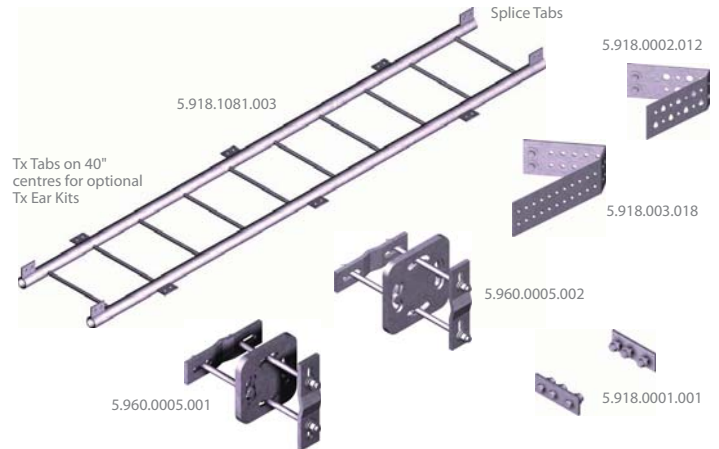
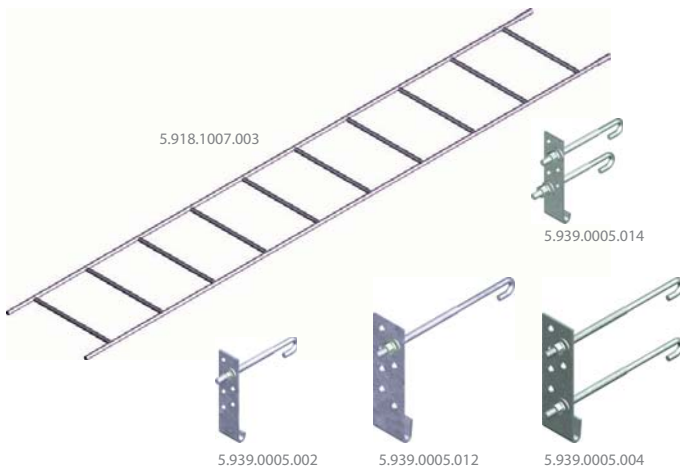
Climbing Ladders

Trylon offers two types of climbing ladders, a 3/4" solid round rail option and a 2 3/8" OD pipe rail option. Each has their own unique characteristics and is offered in four incremental lengths (5', 10', 15', and 20').

The solid round ladder has 3/4" rails and rungs on 18" and 12" centres, respectively. It includes a welded splice tube at the top end for quick and easy slip-fit installation. There are four backing options that cover most tower attachment applications. Other types of attachments are available on page 82 for review.

The pipe rail ladder has 2 3/8" OD rails and 3/4" rungs on 18 3/8" centres and 12" centres, respectively. This rugged climbing ladder is ideal when tower attachments are spaced between 5' and 10'. Splice hardware is required for these ladders, and optional transmission line brackets are available (both ordered separately) to attach directly to the welded tabs. Two standard backing options are offered, but other types are available through the custom side of our business—please call us for more information.

All material is hot dip galvanized.



Kit #	Description	Qty	List Price	Wt
Solid Round Climbing Ladder Kits				
5.918.1007.001	20' Solid Round Ladder Section	Ea	\$548	110
5.918.1007.002	15' Solid Round Ladder Section	Ea	\$454	83
5.918.1007.003	10' Solid Round Ladder Section	Ea	\$284	55
5.918.1007.004	5' Solid Round Ladder Section	Ea	\$166	28
Backing Assemblies (optional)				
5.939.0005.002	Small Angle Clip Kit for angle members up to 4" in size	Ea	\$16	1.3
5.939.0005.004	Small Universal Clip Kit for angle members up to 4" in size, or round members up to 4 1/2" OD	Ea	\$23	1.7
5.939.0005.012	Large Angle Clip Kit for angle members up to 4" to 8" in size	Ea	\$34	2.9
5.939.0005.014	Large Universal Clip Kit for angle members up to 4" to 8" in size, or round members up to 6" OD	Ea	\$47	3.9

Note: Splice hardware integral with ladder section.

Kit #	Description	Qty	List Price	Wt
Pipe Rail Climbing Ladder Kits				
5.918.1081.001	20' Pipe Rail Ladder Section	Ea	\$760	206
5.918.1081.002	15' Pipe Rail Ladder Section	Ea	\$609	156
5.918.1081.003	10' Pipe Rail Ladder Section	Ea	\$453	104
5.918.1081.004	5' Pipe Rail Ladder Section	Ea	\$248	54
Splice and Tx Ear Assemblies				
5.918.0001.001	Splice hardware includes two plates and all hardware	Ea	\$28	2.4
5.918.0002.012	12 Hole Tx Ear Kit has twelve 3/4" and 7/16" holes	Ea	\$22	3.1
5.918.0003.018	18 Hole Tx Ear Kit has eighteen 7/16" holes	Ea	\$35	8.0
Backing Assemblies (optional)				
5.960.0005.001	Adjustable Kit to fit Pipe Ladder up to 3 1/2" OD tower members	Ea	\$77	9.3
5.960.0005.002	Adjustable Kit to fit Pipe Ladder up to 4 1/2" OD tower members	Ea	\$80	11.0

Miscellaneous Tower Accessories

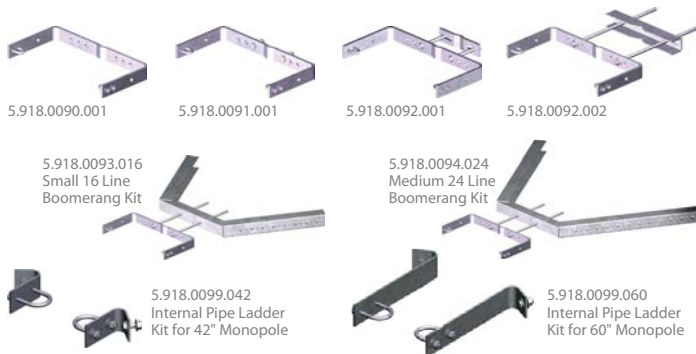
Climbing Ladder Bracket Kits

Trylon's Climbing Ladder Brackets are ideal for most types of communication towers that require a climbing ladder.

They are offered mainly for external climbing ladders, but there is the option of installing to the inside of large monopoles. Depending on the external bracket chosen, they are capable of attaching up to 11" rounds or 8" (60° or 90°) angles.

Optionally kitted are boomerang tx line brackets, which turn this simple ladder bracket into a versatile and cost effective carrier system capable of holding up to 24 runs of 3/4" or 7/16" holes.

All material is hot dip galvanized.



Kit #	Description	Qty	List Price	Wt
External Climbing Ladder Bracket Kits				
5.918.0090.001	S/R Ladder Bracket Kit Includes U-Bolts	Ea	\$38	9
5.918.0091.001	S/R Ladder Kit for Monopoles Includes U-Bolts and Bolts	Ea	\$45	9
5.918.0092.001	S/R Ladder Kit with Small Backing Includes all hardware necessary to attach to legs up to 4½" OD in size	Ea	\$59	11
5.918.0092.002	S/R Ladder Kit with Large Backing Includes all hardware necessary to attach to legs up to 11" OD in size	Ea	\$75	15
5.918.0093.016	S/R Ladder Kit with Small 16 Line Boomerang, includes all hardware to attach up to 5⅝" OD tower legs	Ea	\$139	34
5.918.0093.024	S/R Ladder Kit with Small 24 Line Boomerang, includes all hardware to attach up to 5⅝" OD tower legs	Ea	\$153	39
5.918.0094.016	S/R Ladder Kit with Medium 16 Line Boomerang, includes all hardware to attach up to 11" OD tower legs	Ea	\$159	39
5.918.0094.024	S/R Ladder Kit with Medium 24 Line Boomerang, includes all hardware to attach up to 11" OD tower legs	Ea	\$173	45
Internal Climbing Ladder Bracket Kits				
5.918.0099.042	Internal Pipe Ladder Kit for 42" Monopole	Ea	\$70	7
5.918.0099.048	Internal Pipe Ladder Kit for 48" Monopole	Ea	\$74	9
5.918.0099.054	Internal Pipe Ladder Kit for 54" Monopole	Ea	\$77	10
5.918.0099.060	Internal Pipe Ladder Kit for 60" Monopole	Ea	\$80	12

Internal Monopole Climbing Ladder Kits

These pre-kitted assemblies utilize both the Climbing Ladder Bracket kits in conjunction with our 2⅜" pipe rail ladders to create internal monopole mounted ladder kits.

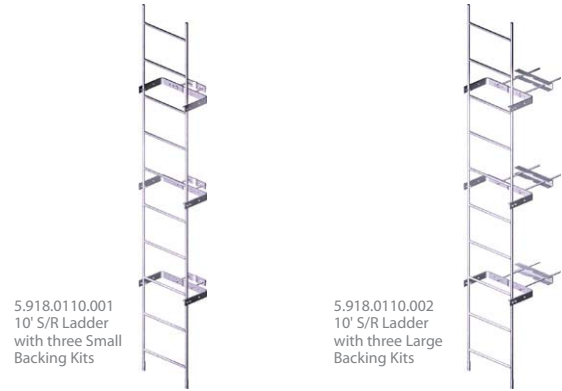
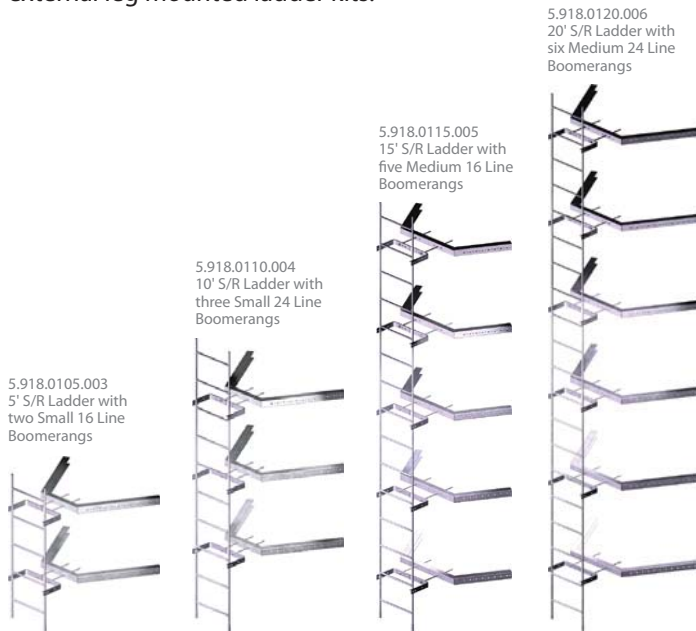


Kit #	Description	Qty	List Price	Wt
Internal Climbing Ladder Kits for 42" OD Monopole Sections				
5.918.0150.005	5' Pipe Ladder for 42" x 5' Monopole	Ea	\$358	64
5.918.0151.010	10' Pipe Ladder for 42" x 10' Monopole	Ea	\$570	114
5.918.0152.015	15' Pipe Ladder for 42" x 15' Monopole	Ea	\$802	172
5.918.0153.020	20' Pipe Ladder for 42" x 20' Monopole	Ea	\$957	222
5.918.0154.025	25' Pipe Ladder for 42" x 25' Monopole	Ea	\$1315	286
5.918.0155.030	30' Pipe Ladder for 42" x 30' Monopole	Ea	\$1526	336
5.918.0156.035	35' Pipe Ladder for 42" x 35' Monopole	Ea	\$1758	394
5.918.0157.040	40' Pipe Ladder for 42" x 40' Monopole	Ea	\$1914	444
Internal Climbing Ladder Kits for 48" OD Monopole Sections				
5.918.0160.005	5' Pipe Ladder for 48" x 5' Monopole	Ea	\$362	65
5.918.0161.010	10' Pipe Ladder for 48" x 10' Monopole	Ea	\$573	115
5.918.0162.015	15' Pipe Ladder for 48" x 15' Monopole	Ea	\$808	175
5.918.0163.020	20' Pipe Ladder for 48" x 20' Monopole	Ea	\$963	225
5.918.0164.025	25' Pipe Ladder for 48" x 25' Monopole	Ea	\$1325	290
5.918.0165.030	30' Pipe Ladder for 48" x 30' Monopole	Ea	\$1536	340
5.918.0166.035	35' Pipe Ladder for 48" x 35' Monopole	Ea	\$1771	400
5.918.0167.040	40' Pipe Ladder for 48" x 40' Monopole	Ea	\$1926	451
Internal Climbing Ladder Kits for 54" OD Monopole Sections				
5.918.0170.005	5' Pipe Ladder for 54" x 5' Monopole	Ea	\$365	67
5.918.0171.010	10' Pipe Ladder for 54" x 10' Monopole	Ea	\$576	117
5.918.0172.015	15' Pipe Ladder for 54" x 15' Monopole	Ea	\$814	178
5.918.0173.020	20' Pipe Ladder for 54" x 20' Monopole	Ea	\$970	228
5.918.0174.025	25' Pipe Ladder for 54" x 25' Monopole	Ea	\$1334	295
5.918.0175.030	30' Pipe Ladder for 54" x 30' Monopole	Ea	\$1546	345
5.918.0176.035	35' Pipe Ladder for 54" x 35' Monopole	Ea	\$1784	406
5.918.0177.040	40' Pipe Ladder for 54" x 40' Monopole	Ea	\$1939	456
Internal Climbing Ladder Kits for 60" OD Monopole Sections				
5.918.0180.005	5' Pipe Ladder for 60" x 5' Monopole	Ea	\$368	68
5.918.0181.010	10' Pipe Ladder for 60" x 10' Monopole	Ea	\$579	118
5.918.0182.015	15' Pipe Ladder for 60" x 15' Monopole	Ea	\$821	181
5.918.0183.020	20' Pipe Ladder for 60" x 20' Monopole	Ea	\$976	231
5.918.0184.025	25' Pipe Ladder for 60" x 25' Monopole	Ea	\$1344	299
5.918.0185.030	30' Pipe Ladder for 60" x 30' Monopole	Ea	\$1555	349
5.918.0186.035	35' Pipe Ladder for 60" x 35' Monopole	Ea	\$1797	412
5.918.0187.040	40' Pipe Ladder for 60" x 40' Monopole	Ea	\$1952	462

Miscellaneous Tower Accessories

External Climbing Ladder Kits

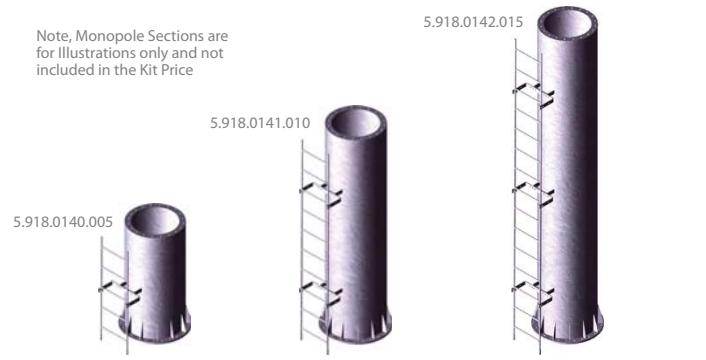
These pre-kitted assemblies utilize both the Climbing Ladder Bracket kits in conjunction with our solid round ladders to create external leg mounted ladder kits.



Kit #	Description	Qty	List Price	Wt
S/R Climbing Ladder Kits with Small Backing Assemblies (SBA)				
5.918.0105.001	5' S/R Ladder with 2 SBA kits	Ea	\$269	50
5.918.0110.001	10' S/R Ladder with 3 SBA kits	Ea	\$428	89
5.918.0115.001	15' S/R Ladder with 5 SBA kits	Ea	\$699	138
5.918.0120.001	20' S/R Ladder with 6 SBA kits	Ea	\$842	177
S/R Climbing Ladder Kits with Large Backing Assemblies (LBA)				
5.918.0105.002	5' S/R Ladder with 2 LBA kits	Ea	\$311	57
5.918.0110.002	10' S/R Ladder with 3 LBA kits	Ea	\$491	99
5.918.0115.002	15' S/R Ladder with 5 LBA kits	Ea	\$804	156
5.918.0120.002	20' S/R Ladder with 6 LBA kits	Ea	\$968	198

Kit #	Description	Qty	List Price	Wt
S/R Climbing Ladder Kits with Small 16 Line Boomerangs				
5.918.0105.003	5' S/R Ladder with 2 Sm16 Lines	Ea	\$463	95
5.918.0110.003	10' S/R Ladder with 3 Sm16 Lines	Ea	\$718	156
5.918.0115.003	15' S/R Ladder with 5 Sm16 Lines	Ea	\$1183	250
5.918.0120.003	20' S/R Ladder with 6 Sm16 Lines	Ea	\$1422	311
S/R Climbing Ladder Kits with Small 24 Line Boomerangs				
5.918.0105.004	5' S/R Ladder with 2 Sm24 Lines	Ea	\$497	107
5.918.0110.004	10' S/R Ladder with 3 Sm24 Lines	Ea	\$770	173
5.918.0115.004	15' S/R Ladder with 5 Sm24 Lines	Ea	\$1270	279
5.918.0120.004	20' S/R Ladder with 6 Sm24 Lines	Ea	\$1527	345
S/R Climbing Ladder Kits with Medium 16 Line Boomerangs				
5.918.0105.005	5' S/R Ladder with 2 Med16 Lines	Ea	\$512	106
5.918.0110.005	10' S/R Ladder with 3 Med16 Lines	Ea	\$792	172
5.918.0115.005	15' S/R Ladder with 5 Med16 Lines	Ea	\$1306	276
5.918.0120.005	20' S/R Ladder with 6 Med16 Lines	Ea	\$1570	342
S/R Climbing Ladder Kits with Medium 24 Line Boomerangs				
5.918.0105.006	5' S/R Ladder with 2 Med24 Lines	Ea	\$547	117
5.918.0110.006	10' S/R Ladder with 3 Med24 Lines	Ea	\$844	189
5.918.0115.006	15' S/R Ladder with 5 Med24 Lines	Ea	\$1393	305
5.918.0120.006	20' S/R Ladder with 6 Med24 Lines	Ea	\$1675	376

Note, Monopole Sections are for Illustrations only and not included in the Kit Price



5.918.0140.005

5.918.0141.010

5.918.0142.015

Kit #	Description	Qty	List Price	Wt
S/R Climbing Ladder Kits for Monopole Sections				
5.918.0140.005	5' S/R Ladder for 5' Monopole	Ea	\$191	37
5.918.0141.010	10' S/R Ladder for 10' Monopole	Ea	\$347	73
5.918.0142.015	15' S/R Ladder for 15' Monopole	Ea	\$541	110
5.918.0143.020	20' S/R Ladder for 20' Monopole	Ea	\$678	146
5.918.0144.025	25' S/R Ladder for 25' Monopole	Ea	\$870	183
5.918.0145.030	30' S/R Ladder for 30' Monopole	Ea	\$1025	219
5.918.0146.035	35' S/R Ladder for 35' Monopole	Ea	\$1219	256
5.918.0147.040	40' S/R Ladder for 40' Monopole	Ea	\$1356	292

Miscellaneous Tower Accessories

Ice Shield Kits

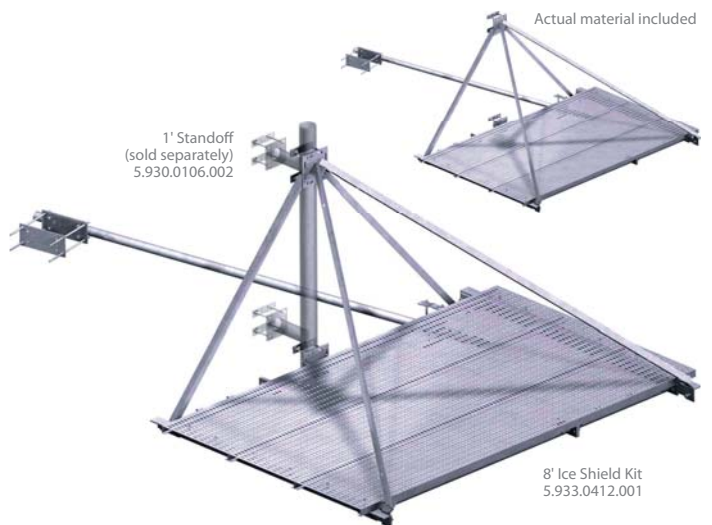
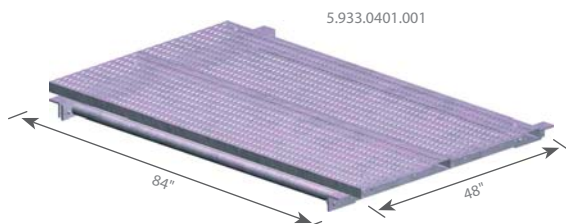
Ice Shield Kits are designed to protect parabolic or high performance dishes up to 15' in diameter. Depending on the shield and site requirements, they are capable of attaching up to 4½" OD round members with the standard attachment hardware. Long 12' tie-backs are provided to better orientate and stabilize the ice shield above the dish. Ice shields typically require various sized standoffs to fully cover the accompanying dish. With this in mind, Trylon has matched each ice shield with appropriately sized standoffs and backing hardware to accommodate almost any tower leg size. Call us for more details, or see pages 4 to 7 for typical standoffs. All material is hot dip galvanized.

Kit #	Description	Qty	List Price	Wt
Ice Shield Assemblies				
5.933.0410.001	2' Ice Shield Kit c/w 12' long Tie-Back and Backing Hardware*	Ea	\$695	172
5.933.0411.002	4'6" Ice Shield Kit c/w 12' long Tie-Back and Backing Hardware*	Ea	\$1628	470
5.933.0412.001	8' Ice Shield Kit c/w 12' long Tie-Back and Backing Hardware*	Ea	\$2456	675
5.933.0413.001	10' Ice Shield Kit c/w 12' long Tie-Back and Backing Hardware*	Ea	\$2550	740
5.933.0414.001	12' Ice Shield Kit c/w 12' long Tie-Back and Backing Hardware*	Ea	\$4248	1197
5.933.0415.001	15' Ice Shield Kit c/w 12' long Tie-Back and Backing Hardware*	Ea	\$4693	1345

*Note: All backing kits includes hardware to attach to round members up to 4½" OD in size.

Ice Shield Platforms

Ice Shield Platforms combined with other attachment kits (sold separately) can create a robust platform. For attachment purposes, all covers come standard with a 2¾" OD pipe underneath or open diamond shape grated covers for bolt through connections. All material is hot dip galvanized.



Kit #	Description	Qty	List Price	Wt
Ice Shield Platforms				
5.933.0400.001	24" x 43" Platform No attachment hardware	Ea	\$353	94
5.933.0401.001	48" x 84" Platform No attachment hardware	Ea	\$946	272
5.933.0402.001	72" x 120" Platform No attachment hardware	Ea	\$1799	510
5.933.0403.001	72" x 144" Platform No attachment hardware	Ea	\$1893	574
5.933.0404.001	96" x 163" Platform No attachment hardware	Ea	\$3525	1001
5.933.0405.001	96" x 204" Platform No attachment hardware	Ea	\$3970	1149

Note: 1. Backing kits for platforms are sold separately on pages 8 and 9.
2. For reference, the platform's underside connecting pipe is 2¾" OD.

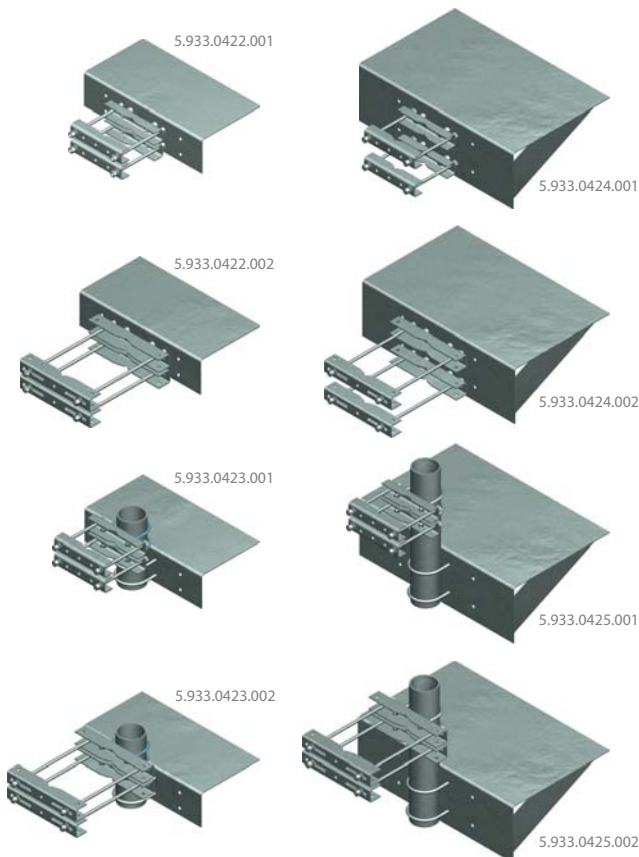
Miscellaneous Tower Accessories

Other Ice Shield Assemblies

Trylon offers Ice Shield Kits for other applications such as tx-lines, obstruction lights and small panel or omni antennas. These Ice Shields are offered in two coverage sizes, 12" x 24" and 20" x 32".

For attaching, Trylon has pre-kitted the above two options with several different backing options. The first option includes two 1/2" u-bolts to fit 4 1/2" OD round members. The second are our small backing kits that are adjustable up to 4 1/2" OD round members. The third are our medium backing kits that can attach up to 6" (60°) angles or 5 5/8" OD round members in size. Our fourth option are our large backing kits that can attach to 8" angles or 11" OD round members. Lastly, we offer two rotatable options in both our medium and large backing kits. These unique kits include a 4 1/2" OD intermittent pipe that further offsets the cover from a tower leg while also allowing the shield to swivel.

All material is hot dip galvanized.



Kit #	Description	Qty	List Price	Wt
Kits can attach to 4 1/2" OD members				
5.933.0409.001	12" x 24" Ice Shield c/w 1/2" U-Bolt Assemblies	Ea	\$122	22
5.933.0409.011	20" x 32" Ice Shield c/w 1/2" U-Bolt Assemblies	Ea	\$353	74
Kits can attach up to 4 1/2" OD members				
5.933.0409.002	12" x 24" Ice Shield c/w Small Backing Kits	Ea	\$144	25
5.933.0409.012	20" x 32" Ice Shield c/w Small Backing Kits	Ea	\$375	77
Kits can attach up to 6" (60°) angles or 5 5/8" OD members				
5.933.0422.001	12" x 24" Ice Shield c/w Medium Backing Kits	Ea	\$249	36
5.933.0424.001	20" x 32" Ice Shield c/w Medium Backing Kits	Ea	\$480	88
Kits can attach up to 8" angles or 11" OD members				
5.933.0422.002	12" x 24" Ice Shield c/w Large Backing Kits	Ea	\$280	43
5.933.0424.002	20" x 32" Ice Shield c/w Large Backing Kits	Ea	\$511	95
Rotatable Kits with Medium or Large Backing Kits				
5.933.0423.001	12" x 24" Rotatable Ice Shield c/w Medium Backing Kits	Ea	\$294	51
5.933.0423.002	12" x 24" Rotatable Ice Shield c/w Large Backing Kits	Ea	\$324	58
5.933.0425.001	20" x 32" Rotatable Ice Shield c/w Medium Backing Kits	Ea	\$517	102
5.933.0425.002	20" x 32" Rotatable Ice Shield c/w Large Backing Kits	Ea	\$547	110

Miscellaneous Tower Accessories

Shelter Steps

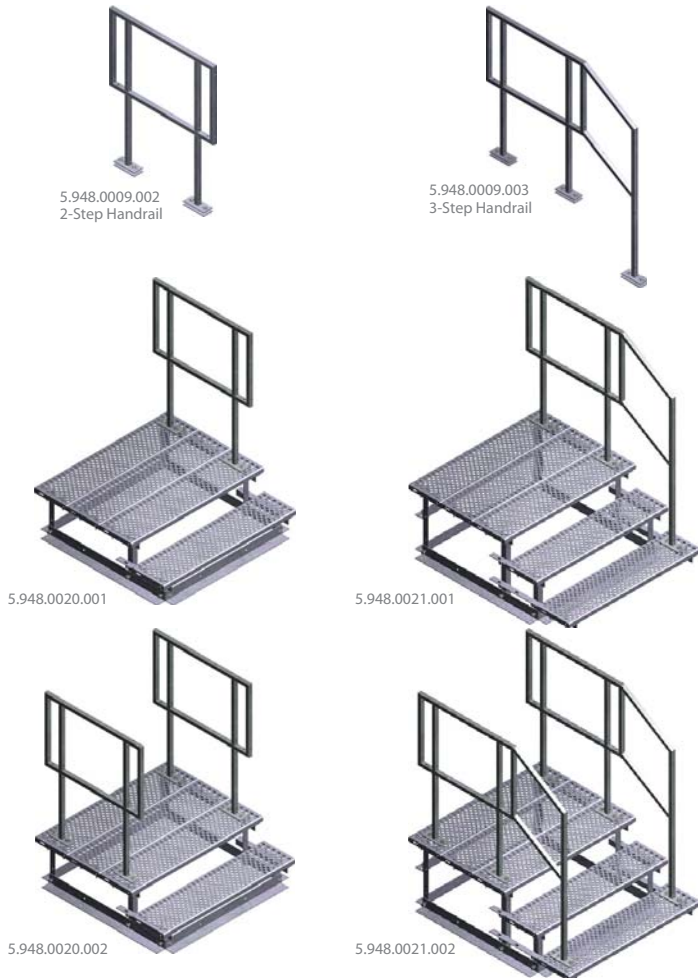
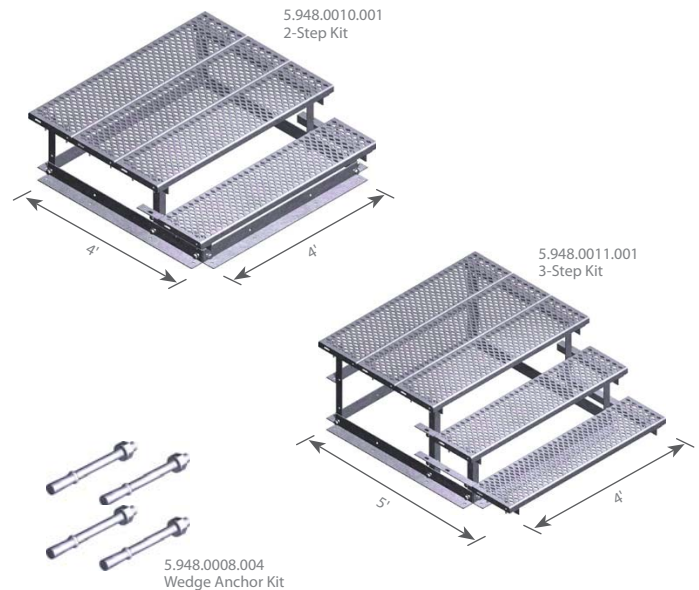
Trylon offers two standard step styles (2-Step and 3-Step) that cover the majority of shelter or building access requirements. The smaller 2-Step is 4' wide by 4' deep by 15" high, whereas the larger 3-Step is 4' wide by 5' deep by 22½" high.

Handrails are also offered in both step styles. These can be purchased for single or double-sided application, or even separately at a later date if the need requires.

Sold separately are wedge anchors to mount the step's base angles to ballast or counterweight such as patio stones or a concrete deck. Trylon recommends a minimum of four anchors to properly secure the steel step to the ballast.

All material is hot dip galvanized for maximum corrosion resistance.

Quick Guide			
Size	2-Step and 3-Step versions	Mounts to	Patio stone or concrete deck
Design	Bolt together	Material	Hot dip galvanized steel
Feature	Serrated Grip Grating and Handrails	Order Separately	Wedge anchors and patio stones



Kit #	Description	Qty	List Price	Wt
Shelter Steps				
5.948.0010.001	2-Step Kit (4' wide x 4' deep x 15" high)	Ea	\$1328	194
5.948.0011.001	3-Step Kit (4' wide x 5' deep x 22½" high)	Ea	\$1683	255
Handrail Kits				
5.948.0009.002	2-Step Handrail Kit	Ea	\$312	38
5.948.0009.003	3-Step Handrail Kit	Ea	\$455	55
Shelter Steps with Handrail Kits				
5.948.0020.001	2-Step Kit with Single Handrail (4' wide x 4' deep x 15" high)	Ea	\$1640	232
5.948.0020.002	2-Step Kit with Double Handrail (4' wide x 4' deep x 15" high)	Ea	\$1952	269
5.948.0021.001	3-Step Kit with Single Handrail (4' wide x 5' deep x 22½" high)	Ea	\$2138	310
5.948.0021.002	3-Step Kit with Double Handrail (4' wide x 5' deep x 22½" high)	Ea	\$2592	365
Wedge Anchors				
5.948.0008.004	Wedge Anchor Kit (contains four 1/2" x 4½" expansion bolts)	Ea	\$103	2

Trylon 21 South Field Drive, Elmira, ON N3B 0A6

P: 519.669.5421 F: 519.669.8912 E: info@trylon.com W: www.trylon.com

Miscellaneous Tower Accessories

Work Platforms

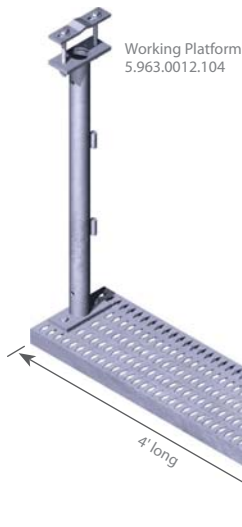
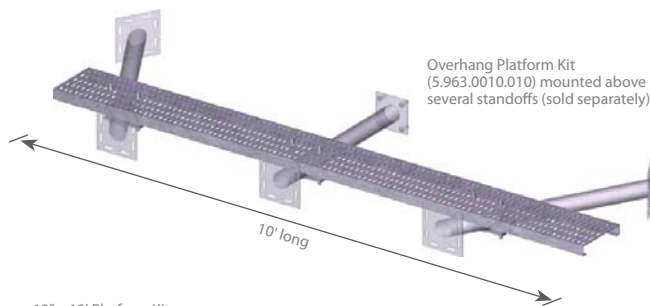
Trylon Work Platforms are available to help installers mount transmission lines or antennas to almost any type of sector or co-location mount.

The first type, the overhang platform, can attach above arms or pipes ranging up to 4½" OD in size depending on the option chosen. They range in widths and lengths and are also available in 30° end chamfers. A minimum of two points are required for safety and rigidity of the platform.

The second type, the hanging platform, mounts below supporting arms up to 4½" OD in size. Two attachment points are required and comes standard with either a 1' x 3' or 1' x 4' serrated safety grating platform.

All material is hot dip galvanized.

(Note: for safety, the worker must be correctly tied-off to a superstructure [according to governing safety standards] while supported on the Work Platforms.)



Kit #	Description	Qty	List Price	Wt
Overhang Platform Kits				
5.963.0010.010	12" x 10' Platform and Hardware fits up to 3½" OD members	Ea	\$315	70
5.963.0010.012	12" x 12' Platform and Hardware fits up to 3½" OD members	Ea	\$358	82
5.963.0011.010	12" x 10' Chamfered Platform and Hardware fits up to 3½" OD members	Ea	\$351	62
5.963.0014.012	18" x 12' Platform and Hardware fits up to 4½" OD members	Ea	\$465	111
Working Platform Kit				
5.963.0012.103	12" x 3' Platform and Hardware fits up to 4½" OD members	Ea	\$386	61
5.963.0012.104	12" x 4' Platform and Hardware fits up to 4½" OD members	Ea	\$409	67

Note: 1. The overhang kits in certain instances can be used to widen current platforms. Call us to see to which kit fits your site requirements.
2. The above widths are nominal, 12" is actually 11¾" wide while 18" is actually 18¾" wide. All grating is non-slip serrated diamond grip span.

Miscellaneous Tower Accessories

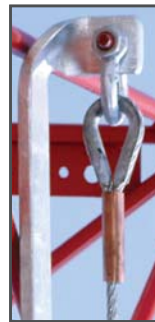
Cable Fall Protection System

(Ladder Mount Design)

- OSHA compliant, ANSI & CSA certified, CE certified in Europe.
- Slider operates on highest quality, 3/8" diameter, 7x19 strand, galvanized aeronautic cable. Also operates on 5/16" diameter.
- Smooth slider (sleeve) that reduces "snags" during descent, thereby helping to overcome "free climbing."
- Slider is made entirely of high strength stainless steel, with all stainless steel components.
- Slider features SafetyLok™ feature which prevents upside down installation on cable.
- Slider easily installed with one hand.
- Factory-installed termination at top of cable eliminates installer liability. Easier installation too!
- Quik-tension™ feature makes cable tensioning easy and fast.
- Mounts to ladder rungs up to 1 1/4" OD.
- Intermediate cable guides provided every 25' (7.62m).
- Unique 2-in-1 top bracket and energy absorber.
- Full line of retrofit accessories available for older towers that have no climbing ladders.



Slider



Pre-terminated Cable



Top Bracket



Quik-tension™ Turnbuckle

Kit #	Description	Qty	List Price	Wt
Safety Cable Kits				
4.99.0220.000	20' Safety Cable Ladder Kit, no slider	Ea	\$378	44
4.99.0250.000	50' Safety Cable Ladder Kit, no slider	Ea	\$459	47
4.99.0300.000	100' Safety Cable Ladder Kit, no slider	Ea	\$567	60
4.99.0305.000	150' Safety Cable Ladder Kit, no slider	Ea	\$675	75
4.99.0310.000	200' Safety Cable Ladder Kit, no slider	Ea	\$783	87
4.99.0315.000	250' Safety Cable Ladder Kit, no slider	Ea	\$891	102
4.99.0320.000	300' Safety Cable Ladder Kit, no slider	Ea	\$999	117
4.99.0325.000	350' Safety Cable Ladder Kit, no slider	Ea	\$1107	129
4.99.0330.000	400' Safety Cable Ladder Kit, no slider	Ea	\$1215	144
4.99.0335.000	450' Safety Cable Ladder Kit, no slider	Ea	\$1323	158
4.99.0340.000	500' Safety Cable Ladder Kit, no slider	Ea	\$1431	173
4.99.0345.000	550' Safety Cable Ladder Kit, no slider*	Ea	\$1539	226
4.99.0350.000	600' Safety Cable Ladder Kit, no slider*	Ea	\$1647	279
4.99.0355.000	650' Safety Cable Ladder Kit, no slider*	Ea	\$1755	332
4.99.0360.000	700' Safety Cable Ladder Kit, no slider*	Ea	\$1863	385
4.99.0365.000	750' Safety Cable Ladder Kit, no slider*	Ea	\$1971	438
4.99.0370.000	800' Safety Cable Ladder Kit, no slider*	Ea	\$2079	491

*Note: This kit uses a heavy duty top bracket (50lbs).

Kit #	Description	Qty	List Price	Wt
Cable Slider				
4.99.0101.001	3/8" or 5/16" Cougar™ Cable Slider, complete with karabiner	Ea	\$425	4

Trylon 21 South Field Drive, Elmira, ON N3B 0A6

P: 519.669.5421 F: 519.669.8912 E: info@trylon.com W: www.trylon.com

Miscellaneous Tower Accessories

Cougar™ Fall Protection System

- Certified to CSA Z259.2.1-98 latest amendment (Nov. '01).
- Heavy duty fall protection; aluminum trolley and rail
- Provides instant fall arrest (<1" movement). This means a greater comfort level vs. falling several inches, as with other systems.
- A "brake lever" with teeth bears on the thick rail wall, eliminating need for notches or stops.
- Trolley is removable. Rail accepts multiple trolleys.
- Rail and trolley body will never rust. Made of high quality 6061-T6 aluminum.
- Trolley has exclusive SafetyLok™ orientation lock-out feature. Prevents reverse installation of trolley.
- Top-most rail section has a "bolt-stop" safety feature which prevents climber from continuing off the rail.
- Other exclusive safety advantages:
 - Rail has symmetrical shape. This means even if all the rail gets inadvertently installed upside down, the trolley still won't go on. That's a risk with asymmetrical rail products.
 - Rescue. In the event of serious fall, Cougar™ trolley remains operational. Therefore, a 2nd rescue worker does not have to detach injured man from his trolley when lowering him.



Trolley

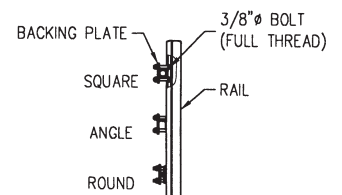


SafetyLok™ feature obstructs installation if trolley is upside down, as shown to the left



SafetyLok™ gravity device rests idly out of the way when installed correctly

Attachment Notes



STANDARD RAIL ATTACHMENT

Kit #	Description	Qty	List Price	Wt
Safety Rail Kits for Ladder Mounting				
Comes with all mounting hardware including hot dip galvanized backer plates, 3/8" x 2" bolts, nuts, and lock washers. Top-most rail section includes 3/8" x 2 1/2" stainless steel stop-bolt for safety.				
4.97.0400.020	20' Safety Rail Kit, no trolley	Ea	\$316	30
4.97.0400.040	40' Safety Rail Kit, no trolley	Ea	\$573	50
4.97.0400.060	60' Safety Rail Kit, no trolley	Ea	\$830	70
4.97.0400.080	80' Safety Rail Kit, no trolley	Ea	\$1,184	90
4.97.0400.100	100' Safety Rail Kit, no trolley	Ea	\$1,441	110
4.97.0400.120	120' Safety Rail Kit, no trolley	Ea	\$1,698	130
4.97.0400.140	140' Safety Rail Kit, no trolley	Ea	\$2,020	160
4.97.0400.160	160' Safety Rail Kit, no trolley	Ea	\$2,341	180
4.97.0400.180	180' Safety Rail Kit, no trolley	Ea	\$2,662	200
4.97.0400.200	200' Safety Rail Kit, no trolley	Ea	\$2,984	220
4.97.0400.220	220' Safety Rail Kit, no trolley	Ea	\$3,305	240
4.97.0400.240	240' Safety Rail Kit, no trolley	Ea	\$3,627	260
4.97.0400.260	260' Safety Rail Kit, no trolley	Ea	\$3,948	290
4.97.0400.280	280' Safety Rail Kit, no trolley	Ea	\$4,205	310
4.97.0400.300	300' Safety Rail Kit, no trolley	Ea	\$4,462	330
4.97.0400.320	320' Safety Rail Kit, no trolley	Ea	\$4,784	350

Kit #	Description	Qty	List Price	Wt
Trolley				
4.97.0101.001	Cougar™ Trolley with Karabiner	Ea	\$411	4

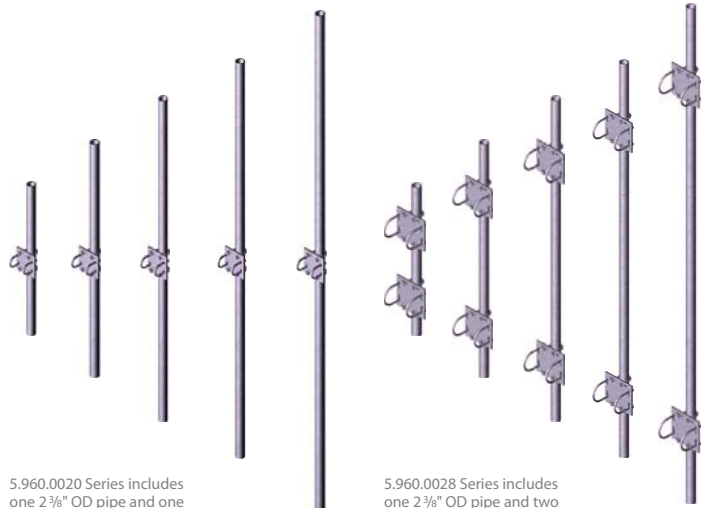
Miscellaneous Tower Accessories

Pipe Mount Kits

Trylon's Pipe Mount Kits are offered in a full array of alternatives that cover almost every antenna installation possibility. These kits are ideal for mounting to other kits (such as t-frames, wireless frames and standoffs) to create additional antenna capacity.

Each kit comes with one pipe and either a single or double crossover kit. The pipes are standardized in either 2 3/8", 3 1/2", or 4 1/2" OD pipe sizes and in 2' incremental lengths. While the crossover kits are matched to both the included pipe and connecting horizontal pipe size. Please see the accompanying figure to further understand our numbering system.

All material hot dip galvanized for maximum protection.



5.960.0020 Series includes one 2 3/8" OD pipe and one 2 3/8"-2 3/8" Fixed Crossover Kit

5.960.0028 Series includes one 2 3/8" OD pipe and two 2 3/8"-4 1/2" Fixed Crossover Kits

Kit #	Description	Qty	List Price	Wt
2 3/8" Pipe Mount Kits (can attach to 2 3/8" OD horizontal pipes)				
5.960.0020.104	2 3/8" x 4' Pipe c/w (1) 2 3/8"-2 3/8" FCO	Ea	\$103	23
5.960.0020.106	2 3/8" x 6' Pipe c/w (1) 2 3/8"-2 3/8" FCO	Ea	\$123	31
5.960.0020.108	2 3/8" x 8' Pipe c/w (1) 2 3/8"-2 3/8" FCO	Ea	\$143	39
5.960.0020.110	2 3/8" x 10' Pipe c/w (1) 2 3/8"-2 3/8" FCO	Ea	\$162	46
5.960.0020.112	2 3/8" x 12' Pipe c/w (1) 2 3/8"-2 3/8" FCO	Ea	\$182	54
2 3/8" Pipe Mount Kits (can attach to 2 7/8" OD horizontal pipes)				
5.960.0021.104	2 3/8" x 4' Pipe c/w (1) 2 3/8"-2 7/8" FCO	Ea	\$107	25
5.960.0021.106	2 3/8" x 6' Pipe c/w (1) 2 3/8"-2 7/8" FCO	Ea	\$127	33
5.960.0021.108	2 3/8" x 8' Pipe c/w (1) 2 3/8"-2 7/8" FCO	Ea	\$147	40
5.960.0021.110	2 3/8" x 10' Pipe c/w (1) 2 3/8"-2 7/8" FCO	Ea	\$166	48
5.960.0021.112	2 3/8" x 12' Pipe c/w (1) 2 3/8"-2 7/8" FCO	Ea	\$186	56
2 3/8" Pipe Mount Kits (can attach to 3 1/2" OD horizontal pipes)				
5.960.0022.104	2 3/8" x 4' Pipe c/w (1) 2 3/8"-3 1/2" FCO	Ea	\$109	25
5.960.0022.106	2 3/8" x 6' Pipe c/w (1) 2 3/8"-3 1/2" FCO	Ea	\$130	33
5.960.0022.108	2 3/8" x 8' Pipe c/w (1) 2 3/8"-3 1/2" FCO	Ea	\$150	40
5.960.0022.110	2 3/8" x 10' Pipe c/w (1) 2 3/8"-3 1/2" FCO	Ea	\$169	48
5.960.0022.112	2 3/8" x 12' Pipe c/w (1) 2 3/8"-3 1/2" FCO	Ea	\$189	56
2 3/8" Pipe Mount Kits (can attach to 4 1/2" OD horizontal pipes)				
5.960.0023.104	2 3/8" x 4' Pipe c/w (1) 2 3/8"-4 1/2" FCO	Ea	\$116	27
5.960.0023.106	2 3/8" x 6' Pipe c/w (1) 2 3/8"-4 1/2" FCO	Ea	\$136	35
5.960.0023.108	2 3/8" x 8' Pipe c/w (1) 2 3/8"-4 1/2" FCO	Ea	\$157	43
5.960.0023.110	2 3/8" x 10' Pipe c/w (1) 2 3/8"-4 1/2" FCO	Ea	\$176	50
5.960.0023.112	2 3/8" x 12' Pipe c/w (1) 2 3/8"-4 1/2" FCO	Ea	\$196	58

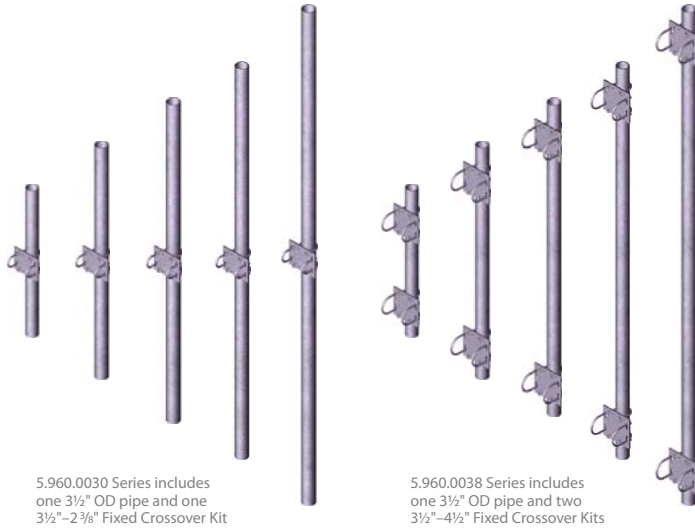
Note: FCO (fixed crossover) kits can be viewed on page 8 of our catalogue.

Kit #	Description	Qty	List Price	Wt
2 3/8" Pipe Mount Kits (can attach to 2 3/8" OD horizontal pipes)				
5.960.0025.204	2 3/8" x 4' Pipe c/w (2) 2 3/8"-2 3/8" FCO	Ea	\$165	31
5.960.0025.206	2 3/8" x 6' Pipe c/w (2) 2 3/8"-2 3/8" FCO	Ea	\$186	39
5.960.0025.208	2 3/8" x 8' Pipe c/w (2) 2 3/8"-2 3/8" FCO	Ea	\$207	47
5.960.0025.210	2 3/8" x 10' Pipe c/w (2) 2 3/8"-2 3/8" FCO	Ea	\$227	54
5.960.0025.212	2 3/8" x 12' Pipe c/w (2) 2 3/8"-2 3/8" FCO	Ea	\$248	62
2 3/8" Pipe Mount Kits (can attach to 2 7/8" OD horizontal pipes)				
5.960.0026.204	2 3/8" x 4' Pipe c/w (2) 2 3/8"-2 7/8" FCO	Ea	\$174	34
5.960.0026.206	2 3/8" x 6' Pipe c/w (2) 2 3/8"-2 7/8" FCO	Ea	\$195	42
5.960.0026.208	2 3/8" x 8' Pipe c/w (2) 2 3/8"-2 7/8" FCO	Ea	\$216	50
5.960.0026.210	2 3/8" x 10' Pipe c/w (2) 2 3/8"-2 7/8" FCO	Ea	\$235	57
5.960.0026.212	2 3/8" x 12' Pipe c/w (2) 2 3/8"-2 7/8" FCO	Ea	\$256	65
2 3/8" Pipe Mount Kits (can attach to 3 1/2" OD horizontal pipes)				
5.960.0027.204	2 3/8" x 4' Pipe c/w (2) 2 3/8"-3 1/2" FCO	Ea	\$179	34
5.960.0027.206	2 3/8" x 6' Pipe c/w (2) 2 3/8"-3 1/2" FCO	Ea	\$200	42
5.960.0027.208	2 3/8" x 8' Pipe c/w (2) 2 3/8"-3 1/2" FCO	Ea	\$221	50
5.960.0027.210	2 3/8" x 10' Pipe c/w (2) 2 3/8"-3 1/2" FCO	Ea	\$241	57
5.960.0027.212	2 3/8" x 12' Pipe c/w (2) 2 3/8"-3 1/2" FCO	Ea	\$262	65
2 3/8" Pipe Mount Kits (can attach to 4 1/2" OD horizontal pipes)				
5.960.0028.204	2 3/8" x 4' Pipe c/w (2) 2 3/8"-4 1/2" FCO	Ea	\$193	39
5.960.0028.206	2 3/8" x 6' Pipe c/w (2) 2 3/8"-4 1/2" FCO	Ea	\$214	47
5.960.0028.208	2 3/8" x 8' Pipe c/w (2) 2 3/8"-4 1/2" FCO	Ea	\$235	55
5.960.0028.210	2 3/8" x 10' Pipe c/w (2) 2 3/8"-4 1/2" FCO	Ea	\$255	62
5.960.0028.212	2 3/8" x 12' Pipe c/w (2) 2 3/8"-4 1/2" FCO	Ea	\$276	70

Note: FCO (fixed crossover) kits can be viewed on page 8 of our catalogue.

Miscellaneous Tower Accessories

Pipe Mount Kits continued



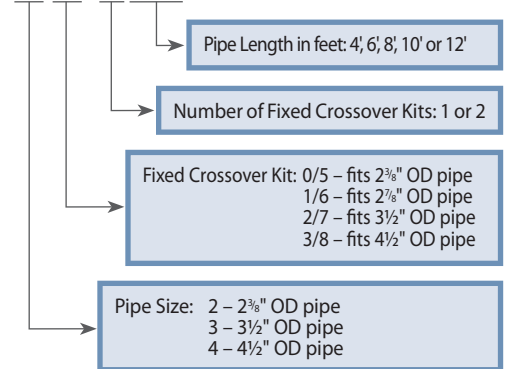
5.960.0030 Series includes one 3 1/2" OD pipe and one 3 1/2"-2 3/8" Fixed Crossover Kit

5.960.0038 Series includes one 3 1/2" OD pipe and two 3 1/2"-4 1/2" Fixed Crossover Kits

Quick Guide

Size	2 3/8" to 4 1/2" OD pipes	Mounts to	2 3/8", 2 7/8", 3 1/2" and 4 1/2" OD pipes
Design	U-bolted together	Material	Hot dip galvanized steel
Feature	Easy installation	Order Separately	Main horizontal pipes like t-frames, etc.

5.960.00WX.YZZ



Kit #	Description	Qty	List Price	Wt
3 1/2" Pipe Mount Kits (can attach to 2 3/8" OD horizontal pipes)				
5.960.0030.104	3 1/2" x 4' Pipe c/w (1) 3 1/2"-2 3/8" FCO	Ea	\$154	41
5.960.0030.106	3 1/2" x 6' Pipe c/w (1) 3 1/2"-2 3/8" FCO	Ea	\$194	57
5.960.0030.108	3 1/2" x 8' Pipe c/w (1) 3 1/2"-2 3/8" FCO	Ea	\$235	73
5.960.0030.110	3 1/2" x 10' Pipe c/w (1) 3 1/2"-2 3/8" FCO	Ea	\$277	89
5.960.0030.112	3 1/2" x 12' Pipe c/w (1) 3 1/2"-2 3/8" FCO	Ea	\$317	105
3 1/2" Pipe Mount Kits (can attach to 2 7/8" OD horizontal pipes)				
5.960.0031.104	3 1/2" x 4' Pipe c/w (1) 3 1/2"-2 7/8" FCO	Ea	\$155	42
5.960.0031.106	3 1/2" x 6' Pipe c/w (1) 3 1/2"-2 7/8" FCO	Ea	\$196	58
5.960.0031.108	3 1/2" x 8' Pipe c/w (1) 3 1/2"-2 7/8" FCO	Ea	\$236	73
5.960.0031.110	3 1/2" x 10' Pipe c/w (1) 3 1/2"-2 7/8" FCO	Ea	\$278	89
5.960.0031.112	3 1/2" x 12' Pipe c/w (1) 3 1/2"-2 7/8" FCO	Ea	\$319	105
3 1/2" Pipe Mount Kits (can attach to 3 1/2" OD horizontal pipes)				
5.960.0032.104	3 1/2" x 4' Pipe c/w (1) 3 1/2"-3 1/2" FCO	Ea	\$158	42
5.960.0032.106	3 1/2" x 6' Pipe c/w (1) 3 1/2"-3 1/2" FCO	Ea	\$198	58
5.960.0032.108	3 1/2" x 8' Pipe c/w (1) 3 1/2"-3 1/2" FCO	Ea	\$239	73
5.960.0032.110	3 1/2" x 10' Pipe c/w (1) 3 1/2"-3 1/2" FCO	Ea	\$281	89
5.960.0032.112	3 1/2" x 12' Pipe c/w (1) 3 1/2"-3 1/2" FCO	Ea	\$321	105
3 1/2" Pipe Mount Kits (can attach to 4 1/2" OD horizontal pipes)				
5.960.0033.104	3 1/2" x 4' Pipe c/w (1) 3 1/2"-4 1/2" FCO	Ea	\$165	44
5.960.0033.106	3 1/2" x 6' Pipe c/w (1) 3 1/2"-4 1/2" FCO	Ea	\$205	60
5.960.0033.108	3 1/2" x 8' Pipe c/w (1) 3 1/2"-4 1/2" FCO	Ea	\$246	76
5.960.0033.110	3 1/2" x 10' Pipe c/w (1) 3 1/2"-4 1/2" FCO	Ea	\$288	92
5.960.0033.112	3 1/2" x 12' Pipe c/w (1) 3 1/2"-4 1/2" FCO	Ea	\$328	108

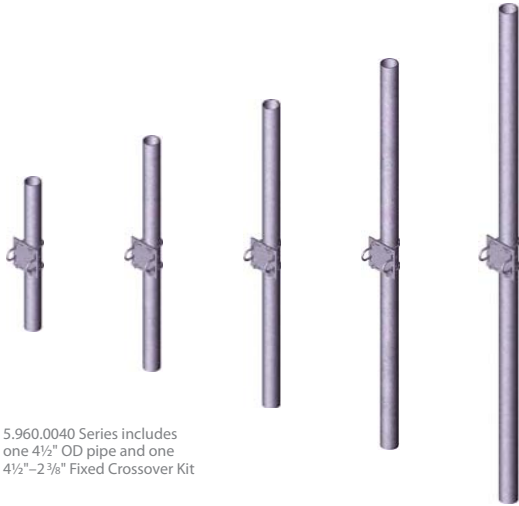
Note: FCO (fixed crossover) kits can be viewed on page 8 of our catalogue.

Kit #	Description	Qty	List Price	Wt
3 1/2" Pipe Mount Kits (can attach to 2 3/8" OD horizontal pipes)				
5.960.0035.204	3 1/2" x 4' Pipe c/w (2) 3 1/2"-2 3/8" FCO	Ea	\$217	51
5.960.0035.206	3 1/2" x 6' Pipe c/w (2) 3 1/2"-2 3/8" FCO	Ea	\$258	67
5.960.0035.208	3 1/2" x 8' Pipe c/w (2) 3 1/2"-2 3/8" FCO	Ea	\$298	83
5.960.0035.210	3 1/2" x 10' Pipe c/w (2) 3 1/2"-2 3/8" FCO	Ea	\$340	99
5.960.0035.212	3 1/2" x 12' Pipe c/w (2) 3 1/2"-2 3/8" FCO	Ea	\$381	114
3 1/2" Pipe Mount Kits (can attach to 2 7/8" OD horizontal pipes)				
5.960.0036.204	3 1/2" x 4' Pipe c/w (2) 3 1/2"-2 7/8" FCO	Ea	\$220	51
5.960.0036.206	3 1/2" x 6' Pipe c/w (2) 3 1/2"-2 7/8" FCO	Ea	\$261	67
5.960.0036.208	3 1/2" x 8' Pipe c/w (2) 3 1/2"-2 7/8" FCO	Ea	\$301	83
5.960.0036.210	3 1/2" x 10' Pipe c/w (2) 3 1/2"-2 7/8" FCO	Ea	\$343	99
5.960.0036.212	3 1/2" x 12' Pipe c/w (2) 3 1/2"-2 7/8" FCO	Ea	\$383	115
3 1/2" Pipe Mount Kits (can attach to 3 1/2" OD horizontal pipes)				
5.960.0037.204	3 1/2" x 4' Pipe c/w (2) 3 1/2"-3 1/2" FCO	Ea	\$225	51
5.960.0037.206	3 1/2" x 6' Pipe c/w (2) 3 1/2"-3 1/2" FCO	Ea	\$266	67
5.960.0037.208	3 1/2" x 8' Pipe c/w (2) 3 1/2"-3 1/2" FCO	Ea	\$306	83
5.960.0037.210	3 1/2" x 10' Pipe c/w (2) 3 1/2"-3 1/2" FCO	Ea	\$348	99
5.960.0037.212	3 1/2" x 12' Pipe c/w (2) 3 1/2"-3 1/2" FCO	Ea	\$389	115
3 1/2" Pipe Mount Kits (can attach to 4 1/2" OD horizontal pipes)				
5.960.0038.204	3 1/2" x 4' Pipe c/w (2) 3 1/2"-4 1/2" FCO	Ea	\$239	56
5.960.0038.206	3 1/2" x 6' Pipe c/w (2) 3 1/2"-4 1/2" FCO	Ea	\$279	72
5.960.0038.208	3 1/2" x 8' Pipe c/w (2) 3 1/2"-4 1/2" FCO	Ea	\$320	88
5.960.0038.210	3 1/2" x 10' Pipe c/w (2) 3 1/2"-4 1/2" FCO	Ea	\$362	104
5.960.0038.212	3 1/2" x 12' Pipe c/w (2) 3 1/2"-4 1/2" FCO	Ea	\$402	120

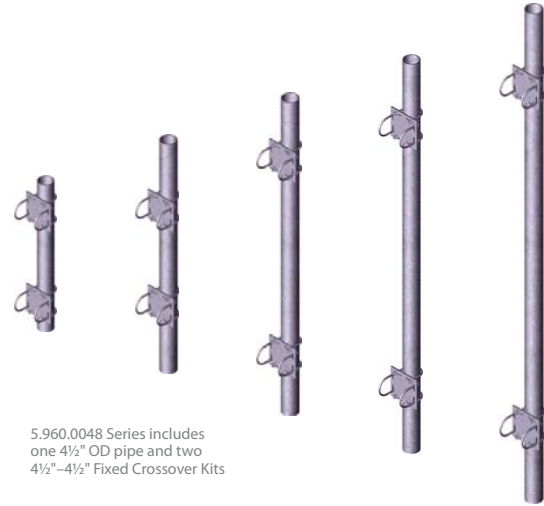
Note: FCO (fixed crossover) kits can be viewed on page 8 of our catalogue.

Miscellaneous Tower Accessories

Pipe Mount Kits continued



5.960.0040 Series includes one 4½" OD pipe and one 4½"-2¾" Fixed Crossover Kit



5.960.0048 Series includes one 4½" OD pipe and two 4½"-4½" Fixed Crossover Kits

Kit #	Description	Qty	List Price	Wt
4½" Pipe Mount Kits (can attach to 2¾" OD horizontal pipes)				
5.960.0040.104	4½" x 4' Pipe c/w (1) 4½"-2¾" FCO	Ea	\$204	57
5.960.0040.106	4½" x 6' Pipe c/w (1) 4½"-2¾" FCO	Ea	\$265	80
5.960.0040.108	4½" x 8' Pipe c/w (1) 4½"-2¾" FCO	Ea	\$325	103
5.960.0040.110	4½" x 10' Pipe c/w (1) 4½"-2¾" FCO	Ea	\$385	125
5.960.0040.112	4½" x 12' Pipe c/w (1) 4½"-2¾" FCO	Ea	\$445	148
4½" Pipe Mount Kits (can attach to 2¾" OD horizontal pipes)				
5.960.0041.104	4½" x 4' Pipe c/w (1) 4½"-2¾" FCO	Ea	\$206	57
5.960.0041.106	4½" x 6' Pipe c/w (1) 4½"-2¾" FCO	Ea	\$266	80
5.960.0041.108	4½" x 8' Pipe c/w (1) 4½"-2¾" FCO	Ea	\$326	103
5.960.0041.110	4½" x 10' Pipe c/w (1) 4½"-2¾" FCO	Ea	\$386	125
5.960.0041.112	4½" x 12' Pipe c/w (1) 4½"-2¾" FCO	Ea	\$447	148
4½" Pipe Mount Kits (can attach to 3½" OD horizontal pipes)				
5.960.0042.104	4½" x 4' Pipe c/w (1) 4½"-3½" FCO	Ea	\$209	58
5.960.0042.106	4½" x 6' Pipe c/w (1) 4½"-3½" FCO	Ea	\$269	80
5.960.0042.108	4½" x 8' Pipe c/w (1) 4½"-3½" FCO	Ea	\$329	103
5.960.0042.110	4½" x 10' Pipe c/w (1) 4½"-3½" FCO	Ea	\$389	126
5.960.0042.112	4½" x 12' Pipe c/w (1) 4½"-3½" FCO	Ea	\$449	148
4½" Pipe Mount Kits (can attach to 4½" OD horizontal pipes)				
5.960.0043.104	4½" x 4' Pipe c/w (1) 4½"-4½" FCO	Ea	\$210	58
5.960.0043.106	4½" x 6' Pipe c/w (1) 4½"-4½" FCO	Ea	\$270	81
5.960.0043.108	4½" x 8' Pipe c/w (1) 4½"-4½" FCO	Ea	\$330	103
5.960.0043.110	4½" x 10' Pipe c/w (1) 4½"-4½" FCO	Ea	\$391	126
5.960.0043.112	4½" x 12' Pipe c/w (1) 4½"-4½" FCO	Ea	\$451	149

Note: FCO (fixed crossover) kits can be viewed on page 8 of our catalogue.

Kit #	Description	Qty	List Price	Wt
4½" Pipe Mount Kits (can attach to 2¾" OD horizontal pipes)				
5.960.0045.204	4½" x 4' Pipe c/w (2) 4½"-2¾" FCO	Ea	\$267	69
5.960.0045.206	4½" x 6' Pipe c/w (2) 4½"-2¾" FCO	Ea	\$325	92
5.960.0045.208	4½" x 8' Pipe c/w (2) 4½"-2¾" FCO	Ea	\$383	115
5.960.0045.210	4½" x 10' Pipe c/w (2) 4½"-2¾" FCO	Ea	\$441	137
5.960.0045.212	4½" x 12' Pipe c/w (2) 4½"-2¾" FCO	Ea	\$500	160
4½" Pipe Mount Kits (can attach to 2¾" OD horizontal pipes)				
5.960.0046.204	4½" x 4' Pipe c/w (2) 4½"-2¾" FCO	Ea	\$270	70
5.960.0046.206	4½" x 6' Pipe c/w (2) 4½"-2¾" FCO	Ea	\$328	92
5.960.0046.208	4½" x 8' Pipe c/w (2) 4½"-2¾" FCO	Ea	\$386	115
5.960.0046.210	4½" x 10' Pipe c/w (2) 4½"-2¾" FCO	Ea	\$444	138
5.960.0046.212	4½" x 12' Pipe c/w (2) 4½"-2¾" FCO	Ea	\$502	160
4½" Pipe Mount Kits (can attach to 3½" OD horizontal pipes)				
5.960.0047.204	4½" x 4' Pipe c/w (2) 4½"-3½" FCO	Ea	\$275	70
5.960.0047.206	4½" x 6' Pipe c/w (2) 4½"-3½" FCO	Ea	\$333	92
5.960.0047.208	4½" x 8' Pipe c/w (2) 4½"-3½" FCO	Ea	\$392	115
5.960.0047.210	4½" x 10' Pipe c/w (2) 4½"-3½" FCO	Ea	\$450	138
5.960.0047.212	4½" x 12' Pipe c/w (2) 4½"-3½" FCO	Ea	\$508	160
4½" Pipe Mount Kits (can attach to 4½" OD horizontal pipes)				
5.960.0048.204	4½" x 4' Pipe c/w (2) 4½"-4½" FCO	Ea	\$278	70
5.960.0048.206	4½" x 6' Pipe c/w (2) 4½"-4½" FCO	Ea	\$336	93
5.960.0048.208	4½" x 8' Pipe c/w (2) 4½"-4½" FCO	Ea	\$394	116
5.960.0048.210	4½" x 10' Pipe c/w (2) 4½"-4½" FCO	Ea	\$452	138
5.960.0048.212	4½" x 12' Pipe c/w (2) 4½"-4½" FCO	Ea	\$510	161

Note: FCO (fixed crossover) kits can be viewed on page 8 of our catalogue.

Miscellaneous Tower Accessories

Bulk Pipe

All pipe are hot dip galvanized and meet ASTM Material Specification Grade A500C or better.

Kit #	Description	Qty	List Price	Wt.
1.90" OD Pipe - Hot Dip Galvanized				
5.960.1065.001	1.90" OD x 1' Pipe (schedule 40)	Ea	\$14	3
5.960.1065.002	1.90" OD x 2' Pipe (schedule 40)	Ea	\$22	6
5.960.1065.003	1.90" OD x 3' Pipe (schedule 40)	Ea	\$28	9
5.960.1065.004	1.90" OD x 4' Pipe (schedule 40)	Ea	\$36	12
5.960.1065.005	1.90" OD x 5' Pipe (schedule 40)	Ea	\$43	14
5.960.1065.006	1.90" OD x 6' Pipe (schedule 40)	Ea	\$51	17
5.960.1065.007	1.90" OD x 7' Pipe (schedule 40)	Ea	\$58	20
5.960.1065.008	1.90" OD x 8' Pipe (schedule 40)	Ea	\$66	23
5.960.1065.009	1.90" OD x 9' Pipe (schedule 40)	Ea	\$73	26
5.960.1065.010	1.90" OD x 10' Pipe (schedule 40)	Ea	\$81	29
5.960.1065.011	1.90" OD x 11' Pipe (schedule 40)	Ea	\$88	32
5.960.1065.012	1.90" OD x 12' Pipe (schedule 40)	Ea	\$96	34
5.960.1065.013	1.90" OD x 13' Pipe (schedule 40)	Ea	\$103	37
5.960.1065.014	1.90" OD x 14' Pipe (schedule 40)	Ea	\$111	40
5.960.1065.015	1.90" OD x 15' Pipe (schedule 40)	Ea	\$117	43
5.960.1065.016	1.90" OD x 16' Pipe (schedule 40)	Ea	\$126	46
5.960.1065.017	1.90" OD x 17' Pipe (schedule 40)	Ea	\$132	49
5.960.1065.018	1.90" OD x 18' Pipe (schedule 40)	Ea	\$140	52
5.960.1065.019	1.90" OD x 19' Pipe (schedule 40)	Ea	\$147	54
5.960.1065.020	1.90" OD x 20' Pipe (schedule 40)	Ea	\$155	57
5.960.1065.021	1.90" OD x 21' Pipe (schedule 40)	Ea	\$162	60
2 3/8" OD Pipe - Hot Dip Galvanized				
5.960.1066.001	2 3/8" OD x 1' Pipe (schedule 40)	Ea	\$17	4
5.960.1066.002	2 3/8" OD x 2' Pipe (schedule 40)	Ea	\$28	8
5.960.1066.003	2 3/8" OD x 3' Pipe (schedule 40)	Ea	\$38	12
5.960.1066.004	2 3/8" OD x 4' Pipe (schedule 40)	Ea	\$48	16
5.960.1066.005	2 3/8" OD x 5' Pipe (schedule 40)	Ea	\$59	19
5.960.1066.006	2 3/8" OD x 6' Pipe (schedule 40)	Ea	\$69	23
5.960.1066.007	2 3/8" OD x 7' Pipe (schedule 40)	Ea	\$78	27
5.960.1066.008	2 3/8" OD x 8' Pipe (schedule 40)	Ea	\$90	31
5.960.1066.009	2 3/8" OD x 9' Pipe (schedule 40)	Ea	\$99	35
5.960.1066.010	2 3/8" OD x 10' Pipe (schedule 40)	Ea	\$109	39
5.960.1066.011	2 3/8" OD x 11' Pipe (schedule 40)	Ea	\$120	42
5.960.1066.012	2 3/8" OD x 12' Pipe (schedule 40)	Ea	\$130	46
5.960.1066.013	2 3/8" OD x 13' Pipe (schedule 40)	Ea	\$140	50
5.960.1066.014	2 3/8" OD x 14' Pipe (schedule 40)	Ea	\$151	54
5.960.1066.015	2 3/8" OD x 15' Pipe (schedule 40)	Ea	\$161	58
5.960.1066.016	2 3/8" OD x 16' Pipe (schedule 40)	Ea	\$171	62
5.960.1066.017	2 3/8" OD x 17' Pipe (schedule 40)	Ea	\$182	65
5.960.1066.018	2 3/8" OD x 18' Pipe (schedule 40)	Ea	\$192	69
5.960.1066.019	2 3/8" OD x 19' Pipe (schedule 40)	Ea	\$202	73
5.960.1066.020	2 3/8" OD x 20' Pipe (schedule 40)	Ea	\$213	77
5.960.1066.021	2 3/8" OD x 21' Pipe (schedule 40)	Ea	\$223	81
2 7/8" OD Pipe - Hot Dip Galvanized				
5.960.1067.001	2 7/8" OD x 1' Pipe (schedule 40)	Ea	\$23	6
5.960.1067.002	2 7/8" OD x 2' Pipe (schedule 40)	Ea	\$38	12
5.960.1067.003	2 7/8" OD x 3' Pipe (schedule 40)	Ea	\$54	18
5.960.1067.004	2 7/8" OD x 4' Pipe (schedule 40)	Ea	\$70	25
5.960.1067.005	2 7/8" OD x 5' Pipe (schedule 40)	Ea	\$85	31
5.960.1067.006	2 7/8" OD x 6' Pipe (schedule 40)	Ea	\$101	37
5.960.1067.007	2 7/8" OD x 7' Pipe (schedule 40)	Ea	\$116	43
5.960.1067.008	2 7/8" OD x 8' Pipe (schedule 40)	Ea	\$132	49
5.960.1067.009	2 7/8" OD x 9' Pipe (schedule 40)	Ea	\$147	55
5.960.1067.010	2 7/8" OD x 10' Pipe (schedule 40)	Ea	\$163	61

Kit #	Description	Qty	List Price	Wt.
2 7/8" OD Pipe - Hot Dip Galvanized (continued)				
5.960.1067.011	2 7/8" OD x 11' Pipe (schedule 40)	Ea	\$178	67
5.960.1067.012	2 7/8" OD x 12' Pipe (schedule 40)	Ea	\$194	73
5.960.1067.013	2 7/8" OD x 13' Pipe (schedule 40)	Ea	\$211	79
5.960.1067.014	2 7/8" OD x 14' Pipe (schedule 40)	Ea	\$225	85
5.960.1067.015	2 7/8" OD x 15' Pipe (schedule 40)	Ea	\$242	92
5.960.1067.016	2 7/8" OD x 16' Pipe (schedule 40)	Ea	\$257	98
5.960.1067.017	2 7/8" OD x 17' Pipe (schedule 40)	Ea	\$273	104
5.960.1067.018	2 7/8" OD x 18' Pipe (schedule 40)	Ea	\$288	110
5.960.1067.019	2 7/8" OD x 19' Pipe (schedule 40)	Ea	\$304	116
5.960.1067.020	2 7/8" OD x 20' Pipe (schedule 40)	Ea	\$319	122
5.960.1067.021	2 7/8" OD x 21' Pipe (schedule 40)	Ea	\$335	128
3 1/2" OD Pipe - Hot Dip Galvanized				
5.960.1068.001	3 1/2" OD x 1' Pipe (schedule 40)	Ea	\$30	8
5.960.1068.002	3 1/2" OD x 2' Pipe (schedule 40)	Ea	\$50	16
5.960.1068.003	3 1/2" OD x 3' Pipe (schedule 40)	Ea	\$70	24
5.960.1068.004	3 1/2" OD x 4' Pipe (schedule 40)	Ea	\$90	32
5.960.1068.005	3 1/2" OD x 5' Pipe (schedule 40)	Ea	\$111	40
5.960.1068.006	3 1/2" OD x 6' Pipe (schedule 40)	Ea	\$131	48
5.960.1068.007	3 1/2" OD x 7' Pipe (schedule 40)	Ea	\$151	56
5.960.1068.008	3 1/2" OD x 8' Pipe (schedule 40)	Ea	\$171	64
5.960.1068.009	3 1/2" OD x 9' Pipe (schedule 40)	Ea	\$193	72
5.960.1068.010	3 1/2" OD x 10' Pipe (schedule 40)	Ea	\$213	80
5.960.1068.011	3 1/2" OD x 11' Pipe (schedule 40)	Ea	\$234	88
5.960.1068.012	3 1/2" OD x 12' Pipe (schedule 40)	Ea	\$254	96
5.960.1068.013	3 1/2" OD x 13' Pipe (schedule 40)	Ea	\$274	104
5.960.1068.014	3 1/2" OD x 14' Pipe (schedule 40)	Ea	\$294	112
5.960.1068.015	3 1/2" OD x 15' Pipe (schedule 40)	Ea	\$315	120
5.960.1068.016	3 1/2" OD x 16' Pipe (schedule 40)	Ea	\$335	128
5.960.1068.017	3 1/2" OD x 17' Pipe (schedule 40)	Ea	\$356	136
5.960.1068.018	3 1/2" OD x 18' Pipe (schedule 40)	Ea	\$377	144
5.960.1068.019	3 1/2" OD x 19' Pipe (schedule 40)	Ea	\$397	151
5.960.1068.020	3 1/2" OD x 20' Pipe (schedule 40)	Ea	\$417	159
5.960.1068.021	3 1/2" OD x 21' Pipe (schedule 40)	Ea	\$437	167
4 1/2" OD Pipe - Hot Dip Galvanized				
5.960.1070.001	4 1/2" OD x 1' Pipe (schedule 40)	Ea	\$36	12
5.960.1070.002	4 1/2" OD x 2' Pipe (schedule 40)	Ea	\$64	23
5.960.1070.003	4 1/2" OD x 3' Pipe (schedule 40)	Ea	\$90	34
5.960.1070.004	4 1/2" OD x 4' Pipe (schedule 40)	Ea	\$118	46
5.960.1070.005	4 1/2" OD x 5' Pipe (schedule 40)	Ea	\$144	57
5.960.1070.006	4 1/2" OD x 6' Pipe (schedule 40)	Ea	\$171	68
5.960.1070.007	4 1/2" OD x 7' Pipe (schedule 40)	Ea	\$198	80
5.960.1070.008	4 1/2" OD x 8' Pipe (schedule 40)	Ea	\$225	91
5.960.1070.009	4 1/2" OD x 9' Pipe (schedule 40)	Ea	\$251	102
5.960.1070.010	4 1/2" OD x 10' Pipe (schedule 40)	Ea	\$279	114
5.960.1070.011	4 1/2" OD x 11' Pipe (schedule 40)	Ea	\$305	125
5.960.1070.012	4 1/2" OD x 12' Pipe (schedule 40)	Ea	\$333	136
5.960.1070.013	4 1/2" OD x 13' Pipe (schedule 40)	Ea	\$359	148
5.960.1070.014	4 1/2" OD x 14' Pipe (schedule 40)	Ea	\$386	159
5.960.1070.015	4 1/2" OD x 15' Pipe (schedule 40)	Ea	\$413	170
5.960.1070.016	4 1/2" OD x 16' Pipe (schedule 40)	Ea	\$440	182
5.960.1070.017	4 1/2" OD x 17' Pipe (schedule 40)	Ea	\$466	193
5.960.1070.018	4 1/2" OD x 18' Pipe (schedule 40)	Ea	\$494	204
5.960.1070.019	4 1/2" OD x 19' Pipe (schedule 40)	Ea	\$520	216
5.960.1070.020	4 1/2" OD x 20' Pipe (schedule 40)	Ea	\$548	227
5.960.1070.021	4 1/2" OD x 21' Pipe (schedule 40)	Ea	\$575	238

Miscellaneous Tower Accessories

J-Bolt Kits



Each J-Bolt includes j-bolt, flat washer, lock washer and hex nut

Kit #	Description	Qty	List Price	Wt.
3/8" J-Bolt Kits – Hot Dip Galvanized				
5.963.1001.086	3/8" x 7" J-Bolt Kit (2½" thread)	10/pk	\$52	3.0
1/2" J-Bolt Kits – Hot Dip Galvanized				
5.963.1001.087	1/2" x 5" J-Bolt Kit (3" thread)	10/pk	\$65	6.0
5.963.1001.083	1/2" x 8" J-Bolt Kit (6" thread)	10/pk	\$73	7.0
5.963.1001.084	1/2" x 13" J-Bolt Kit (8" thread)	10/pk	\$92	10.0

Note: LIST PRICE AND WEIGHTS ARE BASED ON PACKAGES OF 10.

Threaded Rods



Each Threaded Rod includes one rod, two flat washers, two lock washers and two hex nuts

Each Stainless Rod include 5 flat and lock washers, 5 hex nuts and 2 oversized washers

Kit #	Description	Qty	List Price	Wt.
3/8" Threaded Rods – Hot Dip Galvanized				
5.963.1019.108	3/8" x 8" long Threaded Rod Kit	10/pk	\$66	3.0
5.963.1019.148	3/8" x 48" long Threaded Rod Kit	10/pk	\$71	15.7
1/2" Threaded Rods – Hot Dip Galvanized				
5.963.1019.208	1/2" x 8" long Threaded Rod Kit	10/pk	\$66	6.9
5.963.1019.210	1/2" x 10" long Threaded Rod Kit	10/pk	\$70	7.5
5.963.1019.213	1/2" x 13" long Threaded Rod Kit	10/pk	\$81	9.1
5.963.1019.218	1/2" x 18" long Threaded Rod Kit	10/pk	\$92	11.9
5.963.1019.224	1/2" x 24" long Threaded Rod Kit	10/pk	\$104	15.2
5.963.1019.230	1/2" x 30" long Threaded Rod Kit	10/pk	\$115	18.6
5.963.1019.236	1/2" x 36" long Threaded Rod Kit	10/pk	\$153	21.9
5.963.1019.242	1/2" x 42" long Threaded Rod Kit	10/pk	\$168	25.1
3/4" Threaded Rods – Hot Dip Galvanized				
5.963.1019.424	3/4" x 24" long Threaded Rod Kit	10/pk	\$208	34.4
5.963.1019.442	3/4" x 42" long Threaded Rod Kit	10/pk	\$314	57.0
3/8" Threaded Rods – Stainless Steel				
5.963.1020.124	3/8" x 24" long Threaded Rod Kit	10/pk	\$173	11.2

Note: LIST PRICE AND WEIGHTS ARE BASED ON PACKAGES OF 10.

U-Bolt Kits



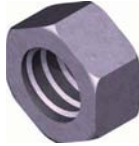
Each U-Bolt includes u-bolt, 2 flat washers, 2 lock washers and 2 hex nuts

Kit #	Description	Qty	List Price	Wt.
3/8" U-Bolt Kits – Hot Dip Galvanized				
5.963.1001.001	3/8" U-Bolt (fits 3/4" OD round)	10/pk	\$64	2.0
1/2" U-Bolt Kits – Hot Dip Galvanized				
5.963.1001.002	1/2" U-Bolt (fits 1" OD round)	10/pk	\$61	5.9
5.963.1001.003	1/2" U-Bolt (fits 1¼" OD round)	10/pk	\$66	5.9
5.963.1001.004	1/2" U-Bolt (fits 1½" OD round)	10/pk	\$69	6.4
5.963.1001.005	1/2" U-Bolt (fits 1¾" OD round)	10/pk	\$72	6.4
5.963.1001.006	1/2" U-Bolt (fits 2" OD round)	10/pk	\$73	7.0
5.963.1001.007	1/2" U-Bolt (fits 2¼" OD round)	10/pk	\$76	7.5
5.963.1001.205	1/2" U-Bolt (fits 2¾" OD round)	10/pk	\$77	7.9
5.963.1001.208	1/2" U-Bolt (fits 3" OD round)	10/pk	\$80	8.9
5.963.1001.206	1/2" U-Bolt (fits 3½" OD round)	10/pk	\$106	8.9
5.963.1001.207	1/2" U-Bolt (fits 4½" OD round)	10/pk	\$135	10.9
5/8" U-Bolt Kits – Hot Dip Galvanized				
5.963.1001.008	5/8" U-Bolt (fits 2½" OD round)	10/pk	\$94	18.0
5.963.1001.009	5/8" U-Bolt (fits 3" OD round)	10/pk	\$110	19.0
5.963.1001.010	5/8" U-Bolt (fits 3½" OD round)	10/pk	\$127	21.0
5.963.1001.011	5/8" U-Bolt (fits 4" OD round)	10/pk	\$143	22.0
5.963.1001.012	5/8" U-Bolt (fits 4½" OD round)	10/pk	\$160	23.0
3/4" U-Bolt Kits – Hot Dip Galvanized				
5.963.1001.013	3/4" U-Bolt (fits 5½" OD round)	10/pk	\$220	40.0
5.963.1001.014	3/4" U-Bolt (fits 6½" OD round)	10/pk	\$275	44.0

Note: LIST PRICE AND WEIGHTS ARE BASED ON PACKAGES OF 10.

Miscellaneous Tower Accessories

Hex Nuts



Kit #	Description	Qty	List Price	Wt.
Hex Nuts – Hot Dip Galvanized				
5.1201050	3/8" Hex Nut (Grade 5)	20/pk	\$9	0.4
5.1201120	1/2" Hex Nut (Grade 5)	20/pk	\$11	1.3
5.1201160	5/8" Hex Nut (Grade 5)	20/pk	\$13	2.4
5.1201190	3/4" Hex Nut (Grade 5)	20/pk	\$20	3.0
5.1201220	1" Hex Nut (Grade 5)	20/pk	\$50	8.5

Note: LIST PRICE AND WEIGHTS ARE BASED ON PACKAGES OF 20.

Bolts (Grade 5)



Kit #	Description	Qty	List Price	Wt.
3/8" Grade 5 Bolts - Hot Dip Galvanized				
5.1201062	3/8" x 1 1/4" Bolt (1" thread)	20/pk	\$18	1.0
5.1201063	3/8" x 1 1/2" Bolt (1" thread)	20/pk	\$20	1.1
5.1201064	3/8" x 1 3/4" Bolt (1" thread)	20/pk	\$22	1.2
5.1201065	3/8" x 2" Bolt (1" thread)	20/pk	\$24	1.6
5.1201066	3/8" x 2 1/4" Bolt (1" thread)	20/pk	\$25	1.8
5.1201067	3/8" x 2 1/2" Bolt (1" thread)	20/pk	\$26	2.0
5.1201068	3/8" x 2 3/4" Bolt (1" thread)	20/pk	\$29	2.2
5.1201069	3/8" x 3" Bolt (1" thread)	20/pk	\$30	2.4
5.1201070	3/8" x 3 1/2" Bolt (1" thread)	20/pk	\$34	2.6
5.1201071	3/8" x 4" Bolt (1" thread)	20/pk	\$37	2.8
5.1201072	3/8" x 4 1/2" Bolt (1" thread)	20/pk	\$40	3.0
5.1201073	3/8" x 5" Bolt (1" thread)	20/pk	\$44	3.2

Kit #	Description	Qty	List Price	Wt.
1/2" Grade 5 Bolts - Hot Dip Galvanized				
5.1201130	1/2" x 1" Bolt (1" thread)	20/pk	\$22	1.9
5.1201131	1/2" x 1 1/4" Bolt (1" thread)	20/pk	\$24	2.2
5.1201132	1/2" x 1 1/2" Bolt (1" thread)	20/pk	\$26	2.5
5.1201133	1/2" x 1 3/4" Bolt (1" thread)	20/pk	\$28	2.7
5.1201134	1/2" x 2" Bolt (1" thread)	20/pk	\$29	3.0
5.1201135	1/2" x 2 1/4" Bolt (1" thread)	20/pk	\$31	3.3
5.1201136	1/2" x 2 1/2" Bolt (1" thread)	20/pk	\$33	3.6
5.1201137	1/2" x 2 3/4" Bolt (1" thread)	20/pk	\$34	3.9
5.1201138	1/2" x 3" Bolt (1" thread)	20/pk	\$35	4.1
5.1201139	1/2" x 3 1/4" Bolt (1" thread)	20/pk	\$37	4.4
5.1201140	1/2" x 3 1/2" Bolt (1" thread)	20/pk	\$40	4.7
5.1201141	1/2" x 3 3/4" Bolt (1" thread)	20/pk	\$41	5.0
5.1201142	1/2" x 4" Bolt (1" thread)	20/pk	\$42	5.3
5.1201144	1/2" x 4 1/2" Bolt (1" thread)	20/pk	\$45	5.8
5.1201146	1/2" x 5" Bolt (1" thread)	20/pk	\$48	6.4
5.1201150	1/2" x 6" Bolt (1" thread)	20/pk	\$63	7.5

Kit #	Description	Qty	List Price	Wt.
1/2" Grade 5 Bolts (Full Thread) - Hot Dip Galvanized				
5.1201346	1/2" x 2" Bolt (full thread)	20/pk	\$47	3.0
5.1201350	1/2" x 3" Bolt (full thread)	20/pk	\$61	4.1
5.1201354	1/2" x 4" Bolt (full thread)	20/pk	\$74	5.3
5.1201362	1/2" x 6" Bolt (full thread)	20/pk	\$86	7.5

Note: LIST PRICE AND WEIGHTS ARE BASED ON PACKAGES OF 20.

Lock Washers



Kit #	Description	Qty	List Price	Wt.
Lock Washers – Hot Dip Galvanized				
5.1201051	3/8" Lock Washer	20/pk	\$7	0.1
5.1201121	1/2" Lock Washer	20/pk	\$9	0.2
5.1201161	5/8" Lock Washer	20/pk	\$11	0.5
5.1201191	3/4" Lock Washer	20/pk	\$12	0.6
5.1201221	1" Lock Washer	20/pk	\$22	1.2

Note: LIST PRICE AND WEIGHTS ARE BASED ON PACKAGES OF 20.

Flat Washers



Kit #	Description	Qty	List Price	Wt.
Flat Washers – Hot Dip Galvanized				
5.1201053	3/8" Flat Washer (Grade 5)	20/pk	\$7	0.2
5.1201122	1/2" Flat Washer (Grade 5)	20/pk	\$9	0.4
5.1201162	5/8" Flat Washer (Grade 5)	20/pk	\$11	0.8
5.1201192	3/4" Flat Washer (Grade 5)	20/pk	\$13	0.9

Note: LIST PRICE AND WEIGHTS ARE BASED ON PACKAGES OF 20.

Miscellaneous Tower Accessories

Bolt Assemblies (A325)



Each A325 includes a bolt, flat washer, and hex nut

Kit #	Description	Qty	List Price	Wt.
1/2" A325 Bolt Assemblies - Hot Dip Galvanized				
5.1202020	1/2" x 1 1/4" Bolt (1" thread)	20/pk	\$33	4.0
5.1202021	1/2" x 1 1/2" Bolt (1" thread)	20/pk	\$35	4.2
5.1202022	1/2" x 1 3/4" Bolt (1" thread)	20/pk	\$37	4.5
5.1202023	1/2" x 2" Bolt (1" thread)	20/pk	\$40	4.8
5.1202024	1/2" x 2 1/4" Bolt (1" thread)	20/pk	\$42	5.1
5.1202025	1/2" x 2 1/2" Bolt (1" thread)	20/pk	\$44	5.3
5.1202026	1/2" x 2 3/4" Bolt (1" thread)	20/pk	\$46	5.6
5.1202027	1/2" x 3" Bolt (1" thread)	20/pk	\$48	5.9
5.1202028	1/2" x 3 1/4" Bolt (1" thread)	20/pk	\$51	6.2
5.1202029	1/2" x 3 1/2" Bolt (1" thread)	20/pk	\$53	6.4
5.1202030	1/2" x 3 3/4" Bolt (1" thread)	20/pk	\$55	6.7
5.1202031	1/2" x 4" Bolt (1" thread)	20/pk	\$57	7.0
5.1202034	1/2" x 5" Bolt (1" thread)	20/pk	\$62	8.1
5.1202035	1/2" x 5 1/2" Bolt (1" thread)	20/pk	\$66	8.6
5.1202036	1/2" x 6" Bolt (1" thread)	20/pk	\$70	9.2
5/8" A325 Bolt Assemblies - Hot Dip Galvanized				
5.1202040	5/8" x 1 1/4" Bolt (1 1/4" thread)	20/pk	\$40	7.0
5.1202041	5/8" x 1 1/2" Bolt (1 1/4" thread)	20/pk	\$42	7.4
5.1202042	5/8" x 1 3/4" Bolt (1 1/4" thread)	20/pk	\$44	7.8
5.1202043	5/8" x 2" Bolt (1 1/4" thread)	20/pk	\$46	8.3
5.1202044	5/8" x 2 1/4" Bolt (1 1/4" thread)	20/pk	\$47	8.7
5.1202045	5/8" x 2 1/2" Bolt (1 1/4" thread)	20/pk	\$48	9.1
5.1202046	5/8" x 2 3/4" Bolt (1 1/4" thread)	20/pk	\$51	9.6
5.1202047	5/8" x 3" Bolt (1 1/4" thread)	20/pk	\$53	10.0
5.1202048	5/8" x 3 1/4" Bolt (1 1/4" thread)	20/pk	\$55	10.4
5.1202049	5/8" x 3 1/2" Bolt (1 1/4" thread)	20/pk	\$58	10.9
5.1202050	5/8" x 3 3/4" Bolt (1 1/4" thread)	20/pk	\$61	11.3
5.1202051	5/8" x 4" Bolt (1 1/4" thread)	20/pk	\$62	11.7
5.1202052	5/8" x 4 1/4" Bolt (1 1/4" thread)	20/pk	\$64	12.2
5.1202053	5/8" x 4 1/2" Bolt (1 1/4" thread)	20/pk	\$66	12.6
5.1202054	5/8" x 4 3/4" Bolt (1 1/4" thread)	20/pk	\$67	13.0
5.1202055	5/8" x 5" Bolt (1 1/4" thread)	20/pk	\$68	13.4
5.1202057	5/8" x 5 1/2" Bolt (1 1/4" thread)	20/pk	\$70	14.7
5.1202058	5/8" x 6" Bolt (1 1/4" thread)	20/pk	\$73	15.2
5.1202060	5/8" x 6 1/2" Bolt (1 1/4" thread)	20/pk	\$75	16.0
5.1202062	5/8" x 7" Bolt (1 1/4" thread)	20/pk	\$77	16.9
3/4" A325 Bolt Assemblies - Hot Dip Galvanized				
5.1202070	3/4" x 1 1/2" Bolt (1 3/8" thread)	20/pk	\$64	11.3
5.1202071	3/4" x 1 3/4" Bolt (1 3/8" thread)	20/pk	\$66	12.0
5.1202072	3/4" x 2" Bolt (1 3/8" thread)	20/pk	\$68	12.5
5.1202073	3/4" x 2 1/4" Bolt (1 3/8" thread)	20/pk	\$70	13.2
5.1202074	3/4" x 2 1/2" Bolt (1 3/8" thread)	20/pk	\$73	13.8
5.1202075	3/4" x 2 3/4" Bolt (1 3/8" thread)	20/pk	\$75	14.5

Note: LIST PRICE AND WEIGHTS ARE BASED ON PACKAGES OF 20.

Kit #	Description	Qty	List Price	Wt.
3/4" A325 Bolt Assemblies - Hot Dip Galvanized (Continued)				
5.1202076	3/4" x 3" Bolt (1 3/8" thread)	20/pk	\$77	15.1
5.1202077	3/4" x 3 1/4" Bolt (1 3/8" thread)	20/pk	\$80	15.7
5.1202078	3/4" x 3 1/2" Bolt (1 3/8" thread)	20/pk	\$84	16.3
5.1202079	3/4" x 3 3/4" Bolt (1 3/8" thread)	20/pk	\$87	16.9
5.1202080	3/4" x 4" Bolt (1 3/8" thread)	20/pk	\$90	17.6
5.1202081	3/4" x 4 1/4" Bolt (1 3/8" thread)	20/pk	\$94	18.2
5.1202082	3/4" x 4 1/2" Bolt (1 3/8" thread)	20/pk	\$97	18.8
5.1202083	3/4" x 4 3/4" Bolt (1 3/8" thread)	20/pk	\$100	19.4
5.1202084	3/4" x 5" Bolt (1 3/8" thread)	20/pk	\$103	20.1
5.1202085	3/4" x 5 1/4" Bolt (1 3/8" thread)	20/pk	\$107	20.7
5.1202086	3/4" x 5 1/2" Bolt (1 3/8" thread)	20/pk	\$110	21.3
5.1202087	3/4" x 5 3/4" Bolt (1 3/8" thread)	20/pk	\$113	21.9
5.1202088	3/4" x 6" Bolt (1 3/8" thread)	20/pk	\$117	22.5
5.1202089	3/4" x 6 1/2" Bolt (1 3/8" thread)	20/pk	\$130	23.7
5.1202092	3/4" x 7" Bolt (1 3/8" thread)	20/pk	\$143	25.1
5.1202093	3/4" x 8" Bolt (1 3/8" thread)	20/pk	\$156	27.5
7/8" A325 Bolt Assemblies - Hot Dip Galvanized				
5.1202100	7/8" x 1 3/4" Bolt (1 1/2" thread)	20/pk	\$97	17.8
5.1202101	7/8" x 2" Bolt (1 1/2" thread)	20/pk	\$100	18.6
5.1202102	7/8" x 2 1/4" Bolt (1 1/2" thread)	20/pk	\$103	19.5
5.1202103	7/8" x 2 1/2" Bolt (1 1/2" thread)	20/pk	\$107	20.3
5.1202104	7/8" x 2 3/4" Bolt (1 1/2" thread)	20/pk	\$110	21.2
5.1202105	7/8" x 3" Bolt (1 1/2" thread)	20/pk	\$113	22.0
5.1202106	7/8" x 3 1/4" Bolt (1 1/2" thread)	20/pk	\$117	22.8
5.1202107	7/8" x 3 1/2" Bolt (1 1/2" thread)	20/pk	\$120	23.6
5.1202108	7/8" x 3 3/4" Bolt (1 1/2" thread)	20/pk	\$127	24.6
5.1202109	7/8" x 4" Bolt (1 1/2" thread)	20/pk	\$133	25.4
5.1202110	7/8" x 4 1/4" Bolt (1 1/2" thread)	20/pk	\$136	26.2
5.1202111	7/8" x 4 1/2" Bolt (1 1/2" thread)	20/pk	\$140	27.0
5.1202112	7/8" x 4 3/4" Bolt (1 1/2" thread)	20/pk	\$143	28.0
5.1202113	7/8" x 5" Bolt (1 1/2" thread)	20/pk	\$150	28.8
5.1202114	7/8" x 5 1/4" Bolt (1 1/2" thread)	20/pk	\$153	29.6
5.1202115	7/8" x 5 1/2" Bolt (1 1/2" thread)	20/pk	\$156	30.6
5.1202116	7/8" x 5 3/4" Bolt (1 1/2" thread)	20/pk	\$160	31.4
5.1202117	7/8" x 6" Bolt (1 1/2" thread)	20/pk	\$163	32.2
5.1202119	7/8" x 6 1/2" Bolt (1 1/2" thread)	20/pk	\$183	34.0
1" A325 Bolt Assemblies - Hot Dip Galvanized				
5.1202130	1" x 2 1/4" Bolt (1 3/4" thread)	20/pk	\$143	26.7
5.1202133	1" x 3" Bolt (1 3/4" thread)	20/pk	\$157	30.1
5.1202137	1" x 4" Bolt (1 3/4" thread)	20/pk	\$187	34.3
5.1202141	1" x 5" Bolt (1 3/4" thread)	20/pk	\$210	38.7
5.1202145	1" x 6" Bolt (1 3/4" thread)	20/pk	\$233	43.3
5.1202148	1" x 8" Bolt (1 3/4" thread)	20/pk	\$297	52.1

Note: LIST PRICE AND WEIGHTS ARE BASED ON PACKAGES OF 20.

Miscellaneous Tower Accessories

Butterfly Hangers

Butterfly hangers can be mounted to tower members through hose clamps or 3/8" diameter hardware (both sold separately). Available for transmission lines ranging from 1/2" to 4" in size, and all material is made from stainless steel.



Kit #	Description	Qty	List Price	Wt.
Butterfly Hanger Kits				
5.1213061	1/2" Butterfly Hanger Kit	10/pk	\$50	1.0
5.1213062	5/8" Butterfly Hanger Kit	10/pk	\$65	1.0
5.1213063	7/8" Butterfly Hanger Kit	10/pk	\$65	1.0
5.1213064	1 1/4" Butterfly Hanger Kit	10/pk	\$65	1.0
5.1213065	1 5/8" Butterfly Hanger Kit	10/pk	\$65	1.0
5.1213066	2 1/4" Butterfly Hanger Kit	10/pk	\$69	2.0
5.1213067	3" Butterfly Hanger Kit	10/pk	\$140	2.0
5.1213068	4" Butterfly Hanger Kit	10/pk	\$150	2.0
5.1213051	3/8" x 3/4" Hardware Kit	10/pk	\$24	1.0
5.1213052	3/8" x 1" Hardware Kit	10/pk	\$25	1.0

Note: LIST PRICE AND WEIGHTS ARE BASED ON PACKAGES OF 10.

Snap-In Hangers

Snap-In hangers can directly mount to tower members that have 3/4" holes and 0.12" to 0.15" thick material. They also include the snap-stack option that allows them to be snapped into each other for stacking capability. Hangers are available for tx lines ranging from 1/2" to 1 5/8" in size. All material is stainless steel.



Kit #	Description	Qty	List Price	Wt.
Snap-In Hanger Kits				
5.1213072	1/2" Snap-In Hanger Kit	10/pk	\$53	1.0
5.1213074	7/8" Snap-In Hanger Kit	10/pk	\$64	1.0
5.1213075	1 1/4" Snap-In Hanger Kit	10/pk	\$64	1.0
5.1213076	1 5/8" Snap-In Hanger Kit	10/pk	\$64	1.0

Note: LIST PRICE AND WEIGHTS ARE BASED ON PACKAGES OF 10.

Angle Adapters

Stainless steel Angle adapters are available in two options: Butterfly, that includes a 3/8" set screw and a 3/8" threaded hole for attaching butterfly hangers; or Snap-In, that includes a 3/8" set screw and a 3/4" hole for snap-in hangers.



Kit #	Description	Qty	List Price	Wt.
Angle Adapters				
5.1213050	Butterfly Angle Adapter Kit	10/pk	\$99	3.5
5.1213070	Snap-In Angle Adapter Kit	10/pk	\$119	3.5

Note: LIST PRICE AND WEIGHTS ARE BASED ON PACKAGES OF 10.

Cold Galvanizing

Cold Galvanizing compound provides a zinc-rich coating to touch-up raw steel edges generally created from field cutting or drilling.



Kit #	Description	Qty	List Price	Wt.
Cold Galvanizing				
5.2205020	Cold Galvanizing Spray, 14 fl.oz.	Ea	\$39	1.2
5.2205021	Cold Galvanizing Pail, 1 Quart	Ea	\$137	2.8

Ty-Rap

These black nylon ultraviolet resistant ty-raps area ideal for light-duty applications.



Kit #	Description	Qty	List Price	Wt.
Ty-Rap				
5.1404010	Ty-Rap (1/4" x 13.4" long)	20/pk	\$16	0.4

Note: LIST PRICE AND WEIGHTS ARE BASED ON PACKAGES OF 20.

Bulbs

Trylon offers both obstruction and beacon type bulbs, in various voltage and wattage options. Note, obstruction bulbs are sold in twin packs whereas beacons are sold individually.



Kit #	Description	Qty	List Price	Wt.
Obstruction Bulbs				
5.1404069	Obstruction Bulb (240V)	2/pk	\$72	0.2
5.1404070	Obstruction Bulb (116W, 130V)	2/pk	\$12	0.2
Beacon Bulbs				
5.1404080	Beacon Bulb (700W, 127.5V)	Ea	\$155	1.0
5.1404081	Beacon Bulb (620W, 125-130V)	Ea	\$148	1.0

Note: Beacon bulbs are offered in bayonet style only.

Paint

Trylon offers two colors of water-borne paint.

Kit #	Description	Qty	List Price	Wt.
Paint				
5.2101020.5	White water-borne paint	5 gal	\$624	52.7
5.2101022.5	Orange water-borne paint	5 gal	\$936	52.7

Miscellaneous Tower Accessories

Guy Cable

Left Hand Lay and Galvanized Steel



The guy cable material is sold per foot and subject to availability. Please call us for further details.

Kit #	Description	Qty	List Price	Wt.
Gr. 180 Guy Strand Cables (with 1x7 Strands)				
5.1602010R	1/4" 1x7 Gr. 180 Guy Strand	per FT	\$0.90	0.1
5.1602011	5/16" 1x7 Gr. 180 Guy Strand	per FT	\$1.35	0.2
5.1602012	3/8" 1x7 Gr. 180 Guy Strand	per FT	\$1.50	0.3
5.1602013	7/16" 1x7 Gr. 180 Guy Strand	per FT	\$2.10	0.4
5.1602014	1/2" 1x7 Gr. 180 Guy Strand	per FT	\$2.25	0.5
5.1602015R	9/16" 1x7 Gr. 180 Guy Strand	per FT	\$3.00	0.7
5.1602016	5/8" 1x7 Gr. 180 Guy Strand	per FT	\$3.45	0.8
EHS Guy Strand Cables (with 1x7 Strands)				
5.1602029	3/16" 1x7 EHS Guy Strand	per FT	\$0.38	0.1
5.1602030	1/4" 1x7 EHS Guy Strand	per FT	\$0.68	0.1
5.1602031	5/16" 1x7 EHS Guy Strand	per FT	\$0.90	0.2
5.1602032	3/8" 1x7 EHS Guy Strand	per FT	\$1.13	0.3
5.1602033	7/16" 1x7 EHS Guy Strand	per FT	\$1.58	0.4
5.1602034	1/2" 1x7 EHS Guy Strand	per FT	\$1.95	0.5
5.1602035	9/16" 1x7 EHS Guy Strand	per FT	\$2.48	0.7
5.1602036	5/8" 1x7 EHS Guy Strand	per FT	\$3.23	0.8
Gr.220 Bridge Strand Cables (with 1x19 or 1x27 Strands)				
5.1603010R	1/2" 1x19 Gr.220 Bridge Strand	per FT	\$5.03	0.5
5.1603011R	9/16" 1x19 Gr.220 Bridge Strand	per FT	\$5.25	0.7
5.1603012R	5/8" 1x19 Gr.220 Bridge Strand	per FT	\$5.70	0.8
5.1603013R	11/16" 1x19 Gr.220 Bridge Strand	per FT	\$6.15	1.0
5.1603014R	3/4" 1x19 Gr.220 Bridge Strand	per FT	\$8.25	1.2
5.1603015R	13/16" 1x19 Gr.220 Bridge Strand	per FT	\$9.30	1.4
5.1603016R	7/8" 1x19 Gr.220 Bridge Strand	per FT	\$13.65	1.6
5.1603017R	15/16" 1x19 Gr.220 Bridge Strand	per FT	\$15.90	1.9
5.1603018R	1" 1x19 Gr.220 Bridge Strand	per FT	\$18.15	2.1
5.1603019R	1 1/16" 1x27 Gr.220 Bridge Strand	per FT	\$19.50	2.4
5.1603020R	1 1/8" 1x27 Gr.220 Bridge Strand	per FT	\$22.80	2.7

Note: All Pricing and Weights given on a PER FOOT basis. All guy material comes with a Left Hand Lay (LHL).

Factory Terminations

Factory termination includes a 100% mechanical compression sleeve and thimble within a standard guy cable eye loop. Bridge strand guy cable sold separately. Please call us for further details.

Kit #	Description	Qty	List Price	Wt.
Factory Terminations (for Gr.220 Bridge Strand Guy Cables)				
5.1604010	1/2" BS-Comp Sleeve & 5/8" Thimble	Ea	\$140	2.2
5.1604011	9/16" BS-Comp Sleeve & 5/8" Thimble	Ea	\$160	2.2
5.1604012	5/8" BS-Comp Sleeve & 3/4" Thimble	Ea	\$181	4.6
5.1604013	11/16" BS-Comp Sleeve & 7/8" Thimble	Ea	\$217	5.4
5.1604014	3/4" BS-Comp Sleeve & 7/8" Thimble	Ea	\$238	5.4
5.1604015	13/16" BS-Comp Sleeve & 7/8" Thimble	Ea	\$275	5.4
5.1604016	7/8" BS-Comp Sleeve & 1" Thimble	Ea	\$310	8.3
5.1604017	15/16" BS-Comp Sleeve & 1" Thimble	Ea	\$383	8.3
5.1604018	1" BS-Comp Sleeve & 1" Thimble	Ea	\$458	8.3
5.1604019	1 1/16" BS-Comp Sleeve & 1 1/8" Thimble	Ea	\$515	11.6
5.1604020	1 1/8" BS-Comp Sleeve & 1 1/8" Thimble	Ea	\$592	11.6

Guy Grips (Preforms)

Left Hand Lay and Galvanized Steel



Kit #	Description	Qty	List Price	Wt.
Guy Grips (for Gr.180 and EHS Guy Strand Cables)				
5.1607010	1/4" Guy Grip	Ea	\$8.20	0.5
5.1607011	5/16" Guy Grip	Ea	\$11.00	0.8
5.1607012	3/8" Guy Grip	Ea	\$12.10	1.0
5.1607013	7/16" Guy Grip	Ea	\$17.40	1.6
5.1607014	1/2" Guy Grip	Ea	\$44.00	3.2
5.1607015	9/16" Guy Grip	Ea	\$111.70	4.8
5.1607016	5/8" Guy Grip	Ea	\$137.80	6.5
Big Grips (for Gr.220 Bridge Strand Cables)				
5.1607046	3/16" Big Grip	Ea	\$16.00	0.4
5.1607047	1/4" Big Grip	Ea	\$19.00	0.6
5.1607048	5/16" Big Grip	Ea	\$23.00	0.9
5.1607049	3/8" Big Grip	Ea	\$26.00	1.4
5.1607050	7/16" Big Grip	Ea	\$39.00	2.0
5.1607051	1/2" Big Grip	Ea	\$73.00	3.9
5.1607052	9/16" Big Grip	Ea	\$97.00	4.9
5.1607053	5/8" Big Grip	Ea	\$187.00	7.7
5.1607054	11/16" Big Grip	Ea	\$255.00	10.8
5.1607055	3/4" Big Grip	Ea	\$516.00	13.8
5.1607056	13/16" Big Grip	Ea	\$548.00	14.6
5.1607057	7/8" Big Grip	Ea	\$790.00	19.3
5.1607058	15/16" Big Grip	Ea	\$1044.00	24.7
5.1607060	1" Big Grip	Ea	\$1076.00	25.0

Note: All guy grips comes with a Left Hand Lay (LHL).

Shackles

All Shackles sold are Screw Pin type and Galvanized



Kit #	Description	Qty	List Price	Wt.
Shackles				
5.1601598	5/16" Shackle (3/4 ton)	Ea	\$4.20	0.3
5.1601600	7/16" Shackle (1 1/2 ton)	Ea	\$6.30	0.4
5.1601605	1/2" Shackle (2 ton)	Ea	\$9.00	0.7
5.1601610	5/8" Shackle (3 1/4 ton)	Ea	\$14.10	1.4
5.1601615	3/4" Shackle (4 3/4 ton)	Ea	\$19.30	2.4
5.1601620	7/8" Shackle (6 1/2 ton)	Ea	\$33.10	3.6
5.1601625	1" Shackle (8 1/2 ton)	Ea	\$43.10	5.0
5.1601630	1 1/8" Shackle (9 1/2 ton)	Ea	\$57.80	7.4
5.1601635	1 1/2" Shackle (12 ton)	Ea	\$83.00	9.5
5.1601640	1 3/8" Shackle (13 1/2 ton)	Ea	\$110.30	13.5
5.1601645	1 1/2" Shackle (17 1/2 ton)	Ea	\$135.50	17.2
Crosby Shackles				
5.1601054	7/16" Shackle - Crosby (1 1/2 ton)	Ea	\$15.30	0.4
5.1601055	1/2" Shackle - Crosby (2 ton)	Ea	\$16.60	0.7
5.1601056	5/8" Shackle - Crosby (3 1/4 ton)	Ea	\$25.50	1.4
5.1601057	3/4" Shackle - Crosby (4 3/4 ton)	Ea	\$36.80	2.4
5.1601058	7/8" Shackle - Crosby (6 1/2 ton)	Ea	\$53.60	3.6
5.1601059	1" Shackle - Crosby (8 1/2 ton)	Ea	\$63.60	5.0
5.1601060	1 1/8" Shackle - Crosby (9 1/2 ton)	Ea	\$87.50	7.4
5.1601061	1 1/2" Shackle - Crosby (12 ton)	Ea	\$121.80	9.5
5.1601062	1 3/8" Shackle - Crosby (13 1/2 ton)	Ea	\$167.00	13.5
5.1601063	1 1/2" Shackle - Crosby (17 1/2 ton)	Ea	\$196.40	17.2

Miscellaneous Tower Accessories

Heavy Thimbles



Kit #	Description	Qty	List Price	Wt.
Thimbles				
5.1601648	1/4" Thimble	Ea	\$6.60	0.1
5.1601650	3/8" Thimble	Ea	\$6.80	0.2
5.1601655	7/16" Thimble	Ea	\$7.20	0.3
5.1601660	1/2" Thimble	Ea	\$8.60	0.5
5.1601665	9/16" Thimble	Ea	\$8.80	0.5
5.1601670	5/8" Thimble	Ea	\$12.20	0.8
5.1601675	3/4" Thimble	Ea	\$19.40	1.6
5.1601680	7/8" Thimble	Ea	\$23.00	1.8
5.1601685	1" Thimble	Ea	\$29.60	3.1
5.1601690	1 1/8" Thimble	Ea	\$30.80	4.0
5.1601695	1 1/4" Thimble	Ea	\$66.60	8.1
Crosby Thimbles				
5.1601092	3/8" Thimble - Crosby	Ea	\$13.40	0.2
5.1601093	7/16" Thimble - Crosby	Ea	\$21.20	0.3
5.1601095C	1/2" Thimble - Crosby	Ea	\$22.20	0.5
5.1601095C	9/16" Thimble - Crosby	Ea	\$22.20	0.5
5.1601096	5/8" Thimble - Crosby	Ea	\$24.80	0.8
5.1601097	3/4" Thimble - Crosby	Ea	\$49.40	1.6
5.1601098	7/8" Thimble - Crosby	Ea	\$56.00	1.8
5.1601099	1" Thimble - Crosby	Ea	\$102.00	3.1
5.1601100	1 1/8" Thimble - Crosby	Ea	\$144.00	4.0
5.1601101	1 1/4" Thimble - Crosby	Ea	\$150.00	8.1

U-Bolt Clips



Kit #	Description	Qty	List Price	Wt.
U-Bolt Clips				
5.1601298	1/8" U-Bolt Clip	Ea	\$1.50	0.1
5.1601300	3/16" U-Bolt Clip	Ea	\$3.20	0.1
5.1601302	1/4" U-Bolt Clip	Ea	\$3.70	0.2
5.1601304	5/16" U-Bolt Clip	Ea	\$4.50	0.3
5.1601306	3/8" U-Bolt Clip	Ea	\$5.50	0.5
5.1601308	7/16" U-Bolt Clip	Ea	\$6.30	0.8
5.1601310	1/2" U-Bolt Clip	Ea	\$7.60	0.8
5.1601312	5/8" U-Bolt Clip	Ea	\$9.50	1.1
5.1601314	3/4" U-Bolt Clip	Ea	\$12.40	1.4
5.1601316	7/8" U-Bolt Clip	Ea	\$18.40	2.1
5.1601318	1" U-Bolt Clip	Ea	\$18.90	2.5
5.1601320	1 1/8" U-Bolt Clip	Ea	\$25.20	2.8
Crosby U-Bolt Clips				
5.1601010	3/16" U-Bolt Clip - Crosby	Ea	\$7.60	0.1
5.1601011	1/4" U-Bolt Clip - Crosby	Ea	\$8.40	0.2
5.1601012	5/16" U-Bolt Clip - Crosby	Ea	\$8.90	0.3
5.1601013	3/8" U-Bolt Clip - Crosby	Ea	\$10.00	0.5
5.1601014	7/16" U-Bolt Clip - Crosby	Ea	\$12.10	0.8
5.1601015	1/2" U-Bolt Clip - Crosby	Ea	\$12.60	0.8
5.1601017	5/8" U-Bolt Clip - Crosby	Ea	\$13.90	1.1
5.1601018	3/4" U-Bolt Clip - Crosby	Ea	\$18.10	1.4
5.1601019	7/8" U-Bolt Clip - Crosby	Ea	\$26.30	2.1
5.1601020	1" U-Bolt Clip - Crosby	Ea	\$31.50	2.5
5.1601021	1 1/8" U-Bolt Clip - Crosby	Ea	\$36.80	2.8

Turnbuckles



Kit #	Description	Qty	List Price	Wt.
Turnbuckles - Jaw & Eye				
5.1601700	1/2" x 12" Turnbuckle	Ea	\$35	2.1
5.1601705	5/8" x 12" Turnbuckle	Ea	\$47	3.6
5.1601710	3/4" x 18" Turnbuckle	Ea	\$117	7.0
5.1601715	7/8" x 18" Turnbuckle	Ea	\$150	9.8
5.1601720	1" x 18" Turnbuckle	Ea	\$192	13.3
5.1601725	1 1/4" x 18" Turnbuckle	Ea	\$383	24.2
5.1601730	1 1/2" x 18" Turnbuckle	Ea	\$541	35.0
5.1601735	1 3/4" x 24" Turnbuckle	Ea	\$994	60.7
5.1601740	2" x 24" Turnbuckle	Ea	\$1219	89.0
5.1601745	2 1/2" x 24" Turnbuckle	Ea	\$2091	150.0
Turnbuckles - Eye & Eye				
5.1601750	1 3/4" x 24" Turnbuckle	Ea	\$920	58.0
5.1601755	2" x 24" Turnbuckle	Ea	\$1208	85.3
5.1601760	2 1/2" x 24" Turnbuckle	Ea	\$1909	144.3
Crosby Turnbuckles - Jaw & Eye				
5.1601128	1/2" x 12" Turnbuckle - Crosby	Ea	\$106	2.1
5.1601129	5/8" x 12" Turnbuckle - Crosby	Ea	\$123	3.6
5.1601131	3/4" x 18" Turnbuckle - Crosby	Ea	\$353	7.0
5.1601135	7/8" x 18" Turnbuckle - Crosby	Ea	\$362	9.8
5.1601137	1" x 18" Turnbuckle - Crosby	Ea	\$380	13.3
5.1601141	1 1/4" x 18" Turnbuckle - Crosby	Ea	\$869	24.2
5.1601144	1 1/2" x 18" Turnbuckle - Crosby	Ea	\$1167	35.0
5.1601148	1 3/4" x 24" Turnbuckle - Crosby	Ea	\$2260	60.7
5.1601149	2" x 24" Turnbuckle - Crosby	Ea	\$3289	89.0
5.1601150	2 1/2" x 24" Turnbuckle - Crosby	Ea	\$6555	150.0
Crosby Turnbuckles - Eye & Eye				
5.1601350	1 3/4" x 24" Turnbuckle - Crosby	Ea	\$2185	58.0
5.1601349	2" x 24" Turnbuckle - Crosby	Ea	\$3105	85.3
5.1601351	2 1/2" x 24" Turnbuckle - Crosby	Ea	\$6095	144.3

Other Guy Anchor Materials

Kit #	Description	Qty	List Price	Wt.
Other Guy Anchor Materials				
5.2203010	3/16" Gr.30 Galvanized Chain	per FT	\$2.90	0.4
5.963.9001.001	5/16" x 1" Chain Locking Bolt Ass'y	Ea	\$2.90	0.1
5.1606080	Septor Guy Guard	Ea	\$27.00	1.0
5.1601698	1/2" Weldless End Link	Ea	\$10.40	0.5
5.2204020	Hose Clamp (MAH-4)	Ea	\$2.60	0.0

Miscellaneous Tower Accessories

Tower Lighting

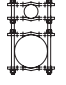
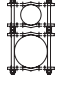
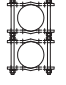
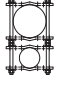
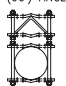
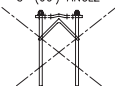
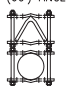
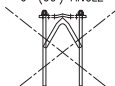
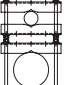
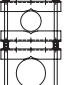

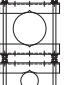
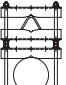



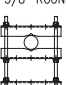
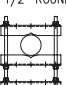
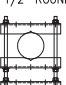
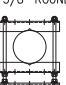

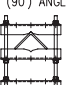
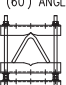
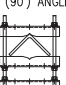

Tower lighting is available upon request. Please contact Trylon for a quote.



Trylon 21 South Field Drive, Elmira, ON N3B 0A6
P: 519.669.5421 F: 519.669.8912 E: info@trylon.com W: www.trylon.com

Kit Maximum Example

Adjustable Parallel Clamp Kit Maximums

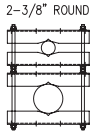

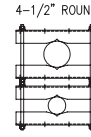
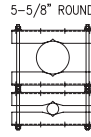
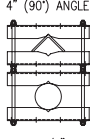

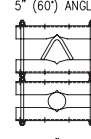

ADJUSTABLE PARALLEL CLAMP KIT MAXIMUMS (5.960.0010.001, 5.960.0010.018 and 5.960.0010.024)			
KIT 5.960.0010.001 MAXIMUMS			
2-3/8" ROUND  UP TO 5-5/8" ROUND	3-1/2" ROUND  UP TO 5-5/8" ROUND	4-1/2" ROUND  UP TO 4-1/2" ROUND	5-5/8" ROUND  UP TO 3-1/2" ROUND
4" (90°) ANGLE  UP TO 5-5/8" ROUND	5" (90°) ANGLE  DOES NOT WORK	5" (60°) ANGLE  UP TO 4-1/2" ROUND	6" (60°) ANGLE  DOES NOT WORK
KIT 5.960.0010.018 MAXIMUMS			
2-3/8" ROUND  UP TO 6" ROUND	3-1/2" ROUND  UP TO 5" ROUND	4-1/2" ROUND  UP TO 4-1/2" ROUND	5-5/8" ROUND  UP TO 3" ROUND
3" (60°) ANGLE  UP TO 6" ROUND	4" (90°) ANGLE  UP TO 6" ROUND	6" (60°) ANGLE  UP TO 3-1/2" ROUND	5" (90°) ANGLE  UP TO 4-1/2" ROUND
KIT 5.960.0010.024 MAXIMUMS			
2-3/8" ROUND  UP TO 8" ROUND	3-1/2" ROUND  UP TO 8" ROUND	4-1/2" ROUND  UP TO 8" ROUND	5-5/8" ROUND  UP TO 8" ROUND
3" (60°) ANGLE  UP TO 8" ROUND	4" (90°) ANGLE  UP TO 8" ROUND	6" (60°) ANGLE  UP TO 8" ROUND	5" (90°) ANGLE  UP TO 8" ROUND
<p>NOTES:</p> <ol style="list-style-type: none"> FOR ILLUSTRATION PURPOSES ONLY TOP VALUE REPRESENTS SOME STANDARD PIPE/ROUND AND ANGLE SIZES BOTTOM VALUE REPRESENTS MAXIMUM ROUND ATTACHMENT POSSIBLE CALL US IF YOUR ATTACHMENTS DIFFER SUBSTANTIALLY FROM ABOVE ALL MATERIAL HOT DIP GALVANIZED 			
			
CUSTOMER: ANY CUSTOMER		SITE: ANY WHERE	
DATE: SEP 2003		SCALE: NTS	
BY: MLP		CHK: --	
APP: --		DRAWING NO. N/A	
TITLE: ADJUSTABLE PARALLEL CLAMPS			

Kit Maximum Example

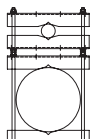
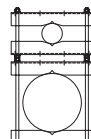
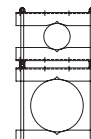
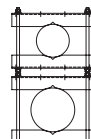
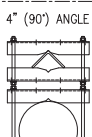


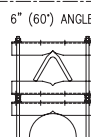
Adjustable Parallel Clamp Kit Maximums

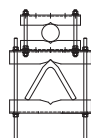
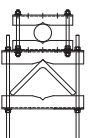
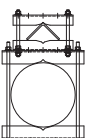
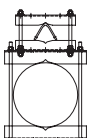
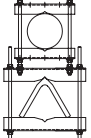
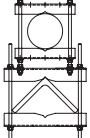
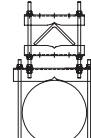
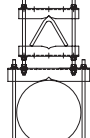
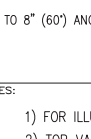

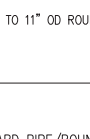

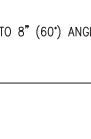



ADJUSTABLE PARALLEL CLAMP KIT MAXIMUMS
(5.960.0010.118, 5.960.0010.124 and 5.960.0010.226)

KIT 5.960.0010.118 MAXIMUMS

 2-3/8" ROUND UP TO 5" ROUND	 3-1/2" ROUND UP TO 4" ROUND	 4-1/2" ROUND UP TO 3" ROUND	 5-5/8" ROUND UP TO 2" ROUND
 4" (90°) ANGLE UP TO 4-1/2" ROUND	 5" (90°) ANGLE UP TO 3-1/2" ROUND	 5" (60°) ANGLE UP TO 3" ROUND	 6" (60°) ANGLE UP TO 2-3/8" ROUND


KIT 5.960.0010.124 MAXIMUMS

 2-3/8" ROUND UP TO 11" ROUND	 3-1/2" ROUND UP TO 10" ROUND	 4-1/2" ROUND UP TO 9" ROUND	 5-5/8" ROUND UP TO 7-1/2" ROUND
 4" (90°) ANGLE UP TO 10" ROUND	 5" (90°) ANGLE UP TO 9" ROUND	 5" (60°) ANGLE UP TO 8-3/4" ROUND	 6" (60°) ANGLE UP TO 8" ROUND

KIT 5.960.0010.226 MAXIMUMS				KIT 5.960.0010.231 MAXIMUMS			
 UP TO 3" OD ROUND	 UP TO 3" OD ROUND	 UP TO 4" (90°) ANGLE	 UP TO 3.5" (60°) ANGLE	 UP TO 6" OD ROUND	 UP TO 6" OD ROUND	 UP TO 5" (90°) ANGLE	 UP TO 6" (60°) ANGLE
 UP TO 8" (60°) ANGLES	 UP TO 8" (90°) ANGLES	 UP TO 11" OD ROUND	 UP TO 11" OD ROUND	 UP TO 8" (60°) ANGLES	 UP TO 8" (90°) ANGLES	 UP TO 11" OD ROUND	 UP TO 11" OD ROUND

NOTES:

- 1) FOR ILLUSTRATION PURPOSES ONLY
- 2) TOP VALUE REPRESENTS SOME STANDARD PIPE/ROUND AND ANGLE SIZES
- 3) BOTTOM VALUE REPRESENTS MAXIMUM ROUND ATTACHMENT POSSIBLE
- 4) CALL US IF YOUR ATTACHMENTS DIFFER SUBSTANTIALLY FROM ABOVE
- 5) ALL MATERIAL HOT DIP GALVANIZED

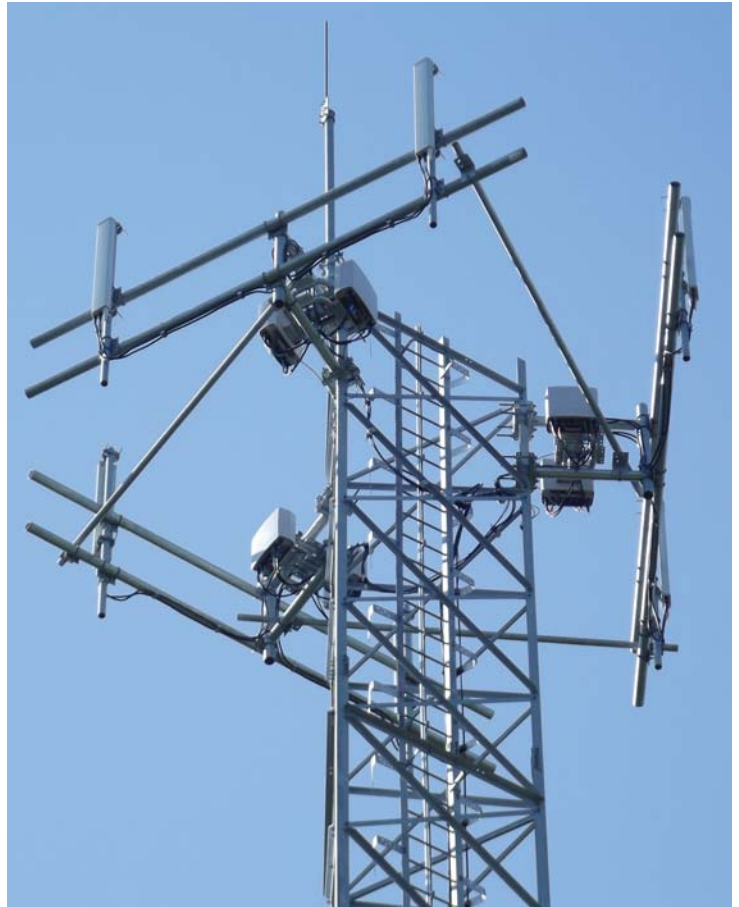


CUSTOMER: ANY CUSTOMER		SITE: ANY WHERE		SCALE: NTS	
DATE: SEP 2003	BY: MLP	CHK: --	APP: --		
TITLE: ADJUSTABLE PARALLEL CLAMPS			DRAWING NO. N/A		

New Trylon Accessories

UNIVERSAL T-FRAME MOUNT

Trylon's versatile universal t-frame mount can accommodate both tapered and straight tower legs which are either round or angular in cross section. This pinwheel can accommodate face widths of up to 10' in its standard configuration.

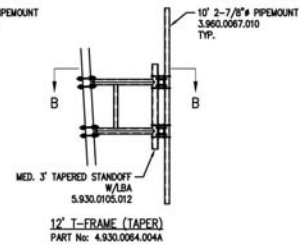
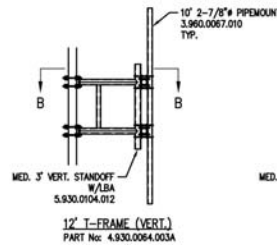
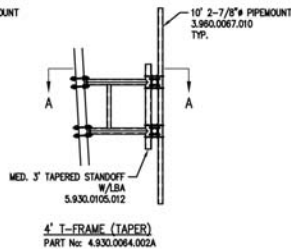
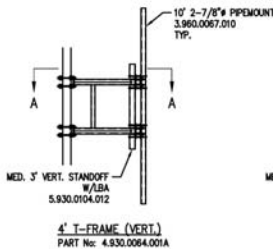
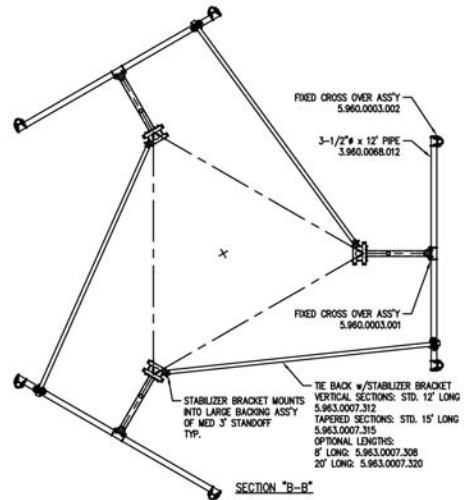
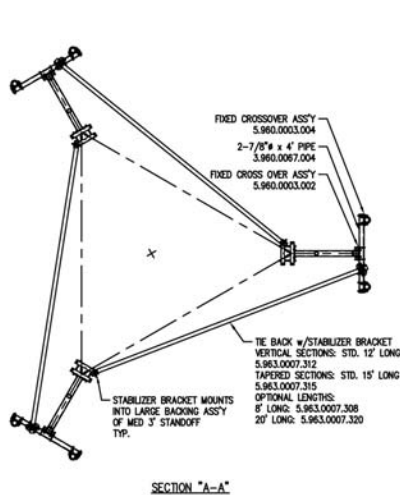


Kit #: 4.930.0074.001 (S) & 4.930.0075.001 (T)

Description: Universal T-Frame Mount

New Trylon Accessories

UNIVERSAL T-FRAME MOUNT ENGINEERING DRAWING



- NOTES:
- 1) PLACE ALL MOUNTS AS CLOSE TO PANEL POINTS AS POSSIBLE.
 - 2) APPLY TWO COATS OF GALVANIZED TOUCH UP TO ALL FIELD CUT OR DRILLED EDGES/HOLES.
 - 3) (1) KIT INCLUDES ALL THREE SECTORS

CONFIDENTIAL: ALL INTELLECTUAL PROPERTY RIGHTS HEREIN ARE THE PROPERTY OF TRYLON TFP INC. ALL REPRODUCTION, INCLUDING PHOTOCOPYING OR USE IN PROMOTION, WITHOUT WRITTEN CONSENT OF TRYLON TFP INC.



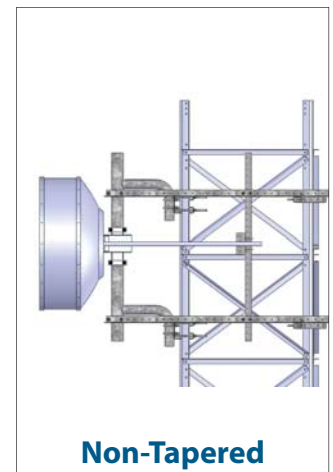
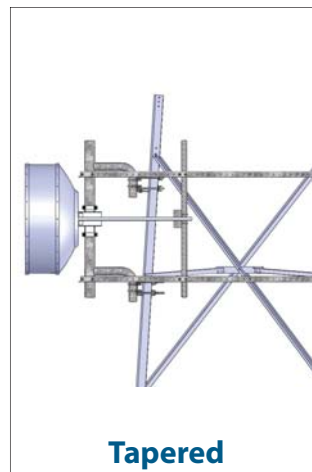
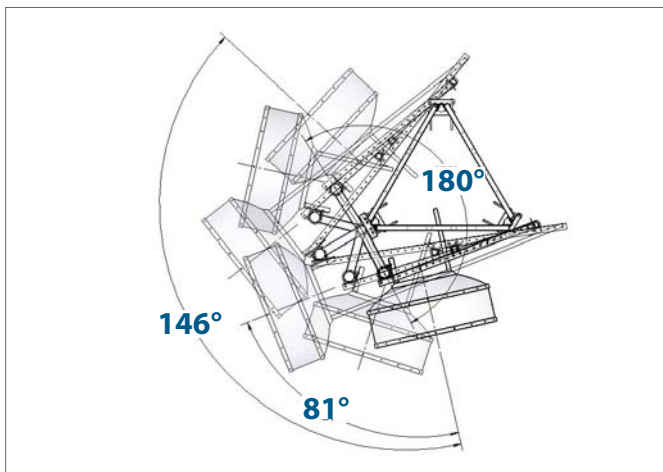
REV.	REV. BY	CHK. BY	DESCRIPTION	DATE	REV.	REV. BY	CHK. BY	DESCRIPTION	DATE	CUSTOMER:	DATE:	SCALE:
B	MF	TLD	SHIMEL KNUCKLE REPLACED	14 DEC 10								40:000
A	JS	TLD	ISSUE FOR USE	23 FEB 09								
										4' & 12' T-FRAME SECTOR MNTS.		000001.930.0064

New Trylon Accessories

ROTATABLE DISH MOUNT KIT

With over 80 years of innovations Trylon is continually developing new innovative products that provide solutions for our customers in the field. One of our recent innovations is the configurable Microwave Rotatable Dish Mount Kit. It provides a simple and cost effective universal mounting options with the flexibility to turn 180° for any mobility azimuth. Each kit includes hardware for tapered and non-tapered towers.

- 1. Configurable Orientation**
- 2. Versatile Design**
- 3. Microwave Dish Flexibility**
- 4. Universal Interface**



1. Configurable Orientation

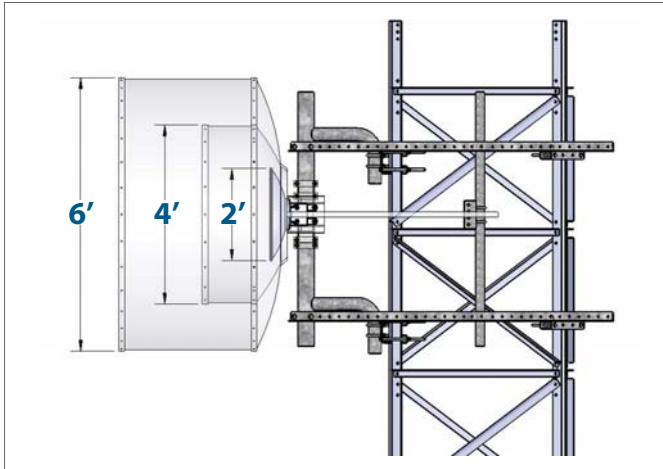
- The mount has 180° turning radius which allows the dish up to a 146° turning radius creating mobility azimuth
- Replaces more expensive face mounts
- Easier orientation

2. Versatile Design

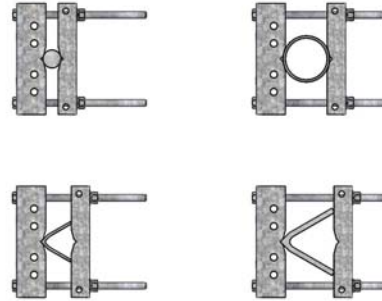
- Quick and easy to install
- Ideal for self-support and guyed towers
- Includes adjustable tie-back to fit any standard tower face width
- Includes two universal tower interfaces, 4-1/2"Ø x 6' mount pipe, mount strut, 2-3/8"Ø vertical pipe to secure dish struts

New Trylon Accessories

ROTATABLE DISH MOUNT KIT



Fits 1-1/4"Ø to 6-5/8"Ø (round legs)



**Fits a maximum 6" for 60° angles
or 5" for 90° angles (angle legs)**

3. Microwave Dish Flexibility

- Supports one microwave dish
- Fits 2 ft., 4 ft. or 6 ft. microwave dishes

4. Universal Interface

- Designed to fit round and angle members
- Significant costs savings since face mounts are not needed
- Maximum round leg sizes fit 1-1/4"Ø to 6-5/8"Ø round
- Maximum angle leg sizes fit 6" for 60° angles or 5" for 90° angles

ROTATABLE DISH MOUNT KIT

Kit #	Description	Qty	Weight
4.927.0059.001	Rotatable Dish Mount Kit	Each	340 lb. (154 kg.)

Please contact Trylon for pricing, availability and shipping specifications. StockProducts@trylon.com

Index by Kit Number

Kit #	List Price	Page
4.927.0056.001	\$152.00	13
4.927.0059.001	-	105
4.930.0074.001	-	103
4.930.0075.001	-	103
4.97.0101.001	\$360.00	89
4.97.0400.020	\$265.00	89
4.97.0400.040	\$481.00	89
4.97.0400.060	\$697.00	89
4.97.0400.080	\$994.00	89
4.97.0400.100	\$1,210.00	89
4.97.0400.120	\$1,426.00	89
4.97.0400.140	\$1,696.00	89
4.97.0400.160	\$1,966.00	89
4.97.0400.180	\$2,236.00	89
4.97.0400.200	\$2,506.00	89
4.97.0400.220	\$2,776.00	89
4.97.0400.240	\$3,046.00	89
4.97.0400.260	\$3,316.00	89
4.97.0400.280	\$3,532.00	89
4.97.0400.300	\$3,748.00	89
4.97.0400.320	\$4,018.00	89
4.99.0101.000	\$275.00	88
4.99.0220.000	\$378.00	88
4.99.0250.000	\$459.00	88
4.99.0300.000	\$567.00	88
4.99.0305.000	\$675.00	88
4.99.0310.000	\$783.00	88
4.99.0315.000	\$891.00	88
4.99.0320.000	\$999.00	88
4.99.0325.000	\$1,107.00	88
4.99.0330.000	\$1,215.00	88
4.99.0335.000	\$1,323.00	88
4.99.0340.000	\$1,431.00	88
4.99.0345.000	\$1,539.00	88
4.99.0350.000	\$1,647.00	88
4.99.0355.000	\$1,755.00	88
4.99.0360.000	\$1,863.00	88
4.99.0365.000	\$1,971.00	88
4.99.0370.000	\$2,079.00	88
5.1201191	\$12.00	95
5.1201192	\$13.00	95
5.1201220	\$50.00	95
5.1201221	\$22.00	95
5.1201346	\$47.00	95
5.1201350	\$61.00	95
5.1201354	\$74.00	95
5.1201362	\$86.00	95
5.1202020	\$33.00	96
5.1202021	\$35.00	96
5.1202022	\$37.00	96
5.1202023	\$40.00	96
5.1202024	\$42.00	96
5.1202025	\$44.00	96
5.1202026	\$46.00	96
5.1202027	\$48.00	96
5.1202028	\$51.00	96
5.1202029	\$53.00	96
5.1202030	\$55.00	96
5.1202031	\$57.00	96
5.1202034	\$62.00	96
5.1202035	\$66.00	96
5.1202036	\$70.00	96
5.1202040	\$40.00	96
5.1202041	\$42.00	96
5.1202042	\$44.00	96
5.1202043	\$46.00	96
5.1202044	\$47.00	96
5.1202045	\$48.00	96

Kit #	List Price	Page
5.1202046	\$51.00	96
5.1202047	\$53.00	96
5.1202048	\$55.00	96
5.1202049	\$58.00	96
5.1202050	\$61.00	96
5.1202051	\$62.00	96
5.1202052	\$64.00	96
5.1202053	\$66.00	96
5.1202054	\$67.00	96
5.1202055	\$68.00	96
5.1202057	\$70.00	96
5.1202058	\$73.00	96
5.1202060	\$75.00	96
5.1202062	\$77.00	96
5.1202070	\$64.00	96
5.1202071	\$66.00	96
5.1202072	\$68.00	96
5.1202073	\$70.00	96
5.1202074	\$73.00	96
5.1202075	\$75.00	96
5.1202076	\$77.00	96
5.1202077	\$80.00	96
5.1202078	\$84.00	96
5.1202079	\$87.00	96
5.1202080	\$90.00	96
5.1202081	\$94.00	96
5.1202082	\$97.00	96
5.1202083	\$100.00	96
5.1202084	\$103.00	96
5.1202085	\$107.00	96
5.1202086	\$110.00	96
5.1202087	\$113.00	96
5.1202088	\$117.00	96
5.1202089	\$130.00	96
5.1202092	\$143.00	96
5.1202093	\$156.00	96
5.1202100	\$97.00	96
5.1202101	\$100.00	96
5.1202102	\$103.00	96
5.1202103	\$107.00	96
5.1202104	\$110.00	96
5.1202105	\$113.00	96
5.1202106	\$117.00	96
5.1202107	\$120.00	96
5.1202108	\$127.00	96
5.1202109	\$133.00	96
5.1202110	\$136.00	96
5.1202111	\$140.00	96
5.1202112	\$143.00	96
5.1202113	\$150.00	96
5.1202114	\$153.00	96
5.1202115	\$156.00	96
5.1202116	\$160.00	96
5.1202117	\$163.00	96
5.1202119	\$183.00	96
5.1202130	\$143.00	96
5.1202133	\$157.00	96
5.1202137	\$187.00	96
5.1202141	\$210.00	96
5.1202145	\$233.00	96
5.1202148	\$297.00	96
5.1209110	\$14.00	48
5.1213050	\$99.00	97
5.1213051	\$24.00	97
5.1213052	\$25.00	97
5.1213061	\$50.00	97
5.1213062	\$65.00	97
5.1213063	\$65.00	97

Kit #	List Price	Page
5.1213064	\$65.00	97
5.1213065	\$65.00	97
5.1213066	\$69.00	97
5.1213067	\$140.00	97
5.1213068	\$150.00	97
5.1213070	\$119.00	97
5.1213072	\$53.00	97
5.1213074	\$64.00	97
5.1213075	\$64.00	97
5.1213076	\$64.00	97
5.1404010	\$16.00	97
5.1404069	\$72.00	97
5.1404070	\$12.00	97
5.1404080	\$155.00	97
5.1404081	\$148.00	97
5.1601010	\$7.60	99
5.1601011	\$8.40	99
5.1601012	\$8.90	99
5.1601013	\$10.00	99
5.1601014	\$12.10	99
5.1601015	\$12.60	99
5.1601017	\$13.90	99
5.1601018	\$18.10	99
5.1601019	\$26.30	99
5.1601020	\$31.50	99
5.1601021	\$36.80	99
5.1601054	\$15.30	98
5.1601055	\$16.60	98
5.1601056	\$25.50	98
5.1601057	\$36.80	98
5.1601058	\$53.60	98
5.1601059	\$63.60	98
5.1601060	\$87.50	98
5.1601061	\$121.80	98
5.1601062	\$167.00	98
5.1601063	\$196.40	98
5.1601092	\$13.40	99
5.1601093	\$21.20	99
5.1601095C	\$22.20	99
5.1601095C	\$22.20	99
5.1601096	\$24.80	99
5.1601097	\$49.40	99
5.1601098	\$56.00	99
5.1601099	\$102.00	99
5.1601100	\$144.00	99
5.1601101	\$150.00	99
5.1601128	\$106.00	99
5.1601129	\$123.00	99
5.1601131	\$353.00	99
5.1601135	\$362.00	99
5.1601137	\$380.00	99
5.1601141	\$869.00	99
5.1601144	\$1,167.00	99
5.1601148	\$2,260.00	99
5.1601149	\$3,289.00	99
5.1601150	\$6,555.00	99
5.1601298	\$1.50	99
5.1601300	\$3.20	99
5.1601302	\$3.70	99
5.1601304	\$4.50	99
5.1601306	\$5.50	99
5.1601308	\$6.30	99
5.1601310	\$7.60	99
5.1601312	\$9.50	99
5.1601314	\$12.40	99
5.1601316	\$18.40	99
5.1601318	\$18.90	99
5.1601320	\$25.20	99

Kit #	List Price	Page
5.1601349	\$3,105.00	99
5.1601350	\$2,185.00	99
5.1601351	\$6,095.00	99
5.1601598	\$4.20	98
5.1601600	\$6.30	98
5.1601605	\$9.00	98
5.1601610	\$14.10	98
5.1601615	\$19.30	98
5.1601620	\$33.10	98
5.1601625	\$43.10	98
5.1601630	\$57.80	98
5.1601635	\$83.00	98
5.1601640	\$110.30	98
5.1601645	\$135.50	98
5.1601648	\$6.60	99
5.1601650	\$6.80	99
5.1601655	\$7.20	99
5.1601660	\$8.60	99
5.1601665	\$8.80	99
5.1601670	\$12.20	99
5.1601675	\$19.40	99
5.1601680	\$23.00	99
5.1601685	\$29.60	99
5.1601690	\$30.80	99
5.1601695	\$66.60	99
5.1601698	\$10.40	99
5.1601700	\$35.00	99
5.1601705	\$47.00	99
5.1601710	\$117.00	99
5.1601715	\$150.00	99
5.1601720	\$192.00	99
5.1601725	\$383.00	99
5.1601730	\$541.00	99
5.1601735	\$994.00	99
5.1601740	\$1,219.00	99
5.1601745	\$2,091.00	99
5.1601750	\$920.00	99
5.1601755	\$1,208.00	99
5.1601760	\$1,909.00	99
5.1602010R	\$0.90	98
5.1602011	\$1.35	98
5.1602012	\$1.50	98
5.1602013	\$2.10	98
5.1602014	\$2.25	98
5.1602015R	\$3.00	98
5.1602016	\$3.45	98
5.1602029	\$0.38	98
5.1602030	\$0.68	98
5.1602031	\$0.90	98
5.1602032	\$1.13	98
5.1602033	\$1.58	98
5.1602034	\$1.95	98
5.1602035	\$2.48	98
5.1602036	\$3.23	98
5.1603010R	\$5.03	98
5.1603011R	\$5.25	98
5.1603012R	\$5.70	98
5.1603013R	\$6.15	98
5.1603014R	\$8.25	98
5.1603015R	\$9.30	98
5.1603016R	\$13.65	98
5.1603017R	\$15.90	98
5.1603018R	\$18.15	98
5.1603019R	\$19.50	98
5.1603020R	\$22.80	98
5.1604010	\$140.00	98
5.1604011	\$160.00	98
5.1604012	\$181.00	98

Index by Kit Number

Kit #	List Price	Page
5.1604013	\$217.00	98
5.1604014	\$238.00	98
5.1604015	\$275.00	98
5.1604016	\$310.00	98
5.1604017	\$383.00	98
5.1604018	\$458.00	98
5.1604019	\$515.00	98
5.1604020	\$592.00	98
5.1606080	\$27.00	99
5.1607010	\$8.20	98
5.1607011	\$11.00	98
5.1607012	\$12.10	98
5.1607013	\$17.40	98
5.1607014	\$44.00	98
5.1607015	\$111.70	98
5.1607016	\$137.80	98
5.1607046	\$16.00	98
5.1607047	\$19.00	98
5.1607048	\$23.00	98
5.1607049	\$26.00	98
5.1607050	\$39.00	98
5.1607051	\$73.00	98
5.1607052	\$97.00	98
5.1607053	\$187.00	98
5.1607054	\$255.00	98
5.1607055	\$516.00	98
5.1607056	\$548.00	98
5.1607057	\$790.00	98
5.1607058	\$1,044.00	98
5.1607060	\$1,076.00	98
5.2101020.5	\$624.00	97
5.2101022.5	\$936.00	97
5.2203010	\$2.90	99
5.2204020	\$2.60	99
5.2205020	\$39.00	97
5.2205021	\$137.00	97
5.2205076	\$267.00	73
5.918.0001.001	\$28.00	81
5.918.0002.012	\$22.00	81
5.918.0003.018	\$35.00	81
5.918.0090.001	\$38.00	82
5.918.0091.001	\$45.00	82
5.918.0092.001	\$59.00	82
5.918.0092.002	\$75.00	82
5.918.0093.016	\$139.00	82
5.918.0093.024	\$153.00	82
5.918.0094.016	\$159.00	82
5.918.0094.024	\$173.00	82
5.918.0099.042	\$70.00	82
5.918.0099.048	\$74.00	82
5.918.0099.054	\$77.00	82
5.918.0099.060	\$80.00	82
5.918.0105.001	\$269.00	83
5.918.0105.002	\$311.00	83
5.918.0105.003	\$463.00	83
5.918.0105.004	\$497.00	83
5.918.0105.005	\$512.00	83
5.918.0105.006	\$547.00	83
5.918.0110.001	\$428.00	83
5.918.0110.002	\$491.00	83
5.918.0110.003	\$718.00	83
5.918.0110.004	\$770.00	83
5.918.0110.005	\$792.00	83
5.918.0110.006	\$844.00	83
5.918.0115.001	\$699.00	83
5.918.0115.002	\$804.00	83
5.918.0115.003	\$1,183.00	83
5.918.0115.004	\$1,270.00	83

Kit #	List Price	Page
5.918.0115.005	\$1,306.00	83
5.918.0115.006	\$1,393.00	83
5.918.0120.001	\$842.00	83
5.918.0120.002	\$968.00	83
5.918.0120.003	\$1,422.00	83
5.918.0120.004	\$1,527.00	83
5.918.0120.005	\$1,570.00	83
5.918.0120.006	\$1,675.00	83
5.918.0140.005	\$191.00	83
5.918.0141.010	\$347.00	83
5.918.0142.015	\$541.00	83
5.918.0143.020	\$678.00	83
5.918.0144.025	\$870.00	83
5.918.0145.030	\$1,025.00	83
5.918.0146.035	\$1,219.00	83
5.918.0147.040	\$1,356.00	83
5.918.0150.005	\$358.00	82
5.918.0151.010	\$570.00	82
5.918.0152.015	\$802.00	82
5.918.0153.020	\$957.00	82
5.918.0154.025	\$1,315.00	82
5.918.0155.030	\$1,526.00	82
5.918.0156.035	\$1,758.00	82
5.918.0157.040	\$1,914.00	82
5.918.0160.005	\$362.00	82
5.918.0161.010	\$573.00	82
5.918.0162.015	\$808.00	82
5.918.0163.020	\$963.00	82
5.918.0164.025	\$1,325.00	82
5.918.0165.030	\$1,536.00	82
5.918.0166.035	\$1,771.00	82
5.918.0167.040	\$1,926.00	82
5.918.0170.005	\$365.00	82
5.918.0171.010	\$576.00	82
5.918.0172.015	\$814.00	82
5.918.0173.020	\$970.00	82
5.918.0174.025	\$1,334.00	82
5.918.0175.030	\$1,546.00	82
5.918.0176.035	\$1,784.00	82
5.918.0177.040	\$1,939.00	82
5.918.0180.005	\$368.00	82
5.918.0181.010	\$579.00	82
5.918.0182.015	\$821.00	82
5.918.0183.020	\$976.00	82
5.918.0184.025	\$1,344.00	82
5.918.0185.030	\$1,555.00	82
5.918.0186.035	\$1,797.00	82
5.918.0187.040	\$1,952.00	82
5.918.1007.001	\$548.00	81
5.918.1007.002	\$454.00	81
5.918.1007.003	\$284.00	81
5.918.1007.004	\$166.00	81
5.918.1081.001	\$760.00	81
5.918.1081.002	\$609.00	81
5.918.1081.003	\$453.00	81
5.918.1081.004	\$248.00	81
5.927.0001.001	\$1,060.00	30
5.927.0002.001	\$1,364.00	30
5.927.0003.001	\$1,953.00	30
5.927.0003.100	\$494.00	30
5.927.0005.001	\$115.00	31
5.927.0005.002	\$136.00	31
5.927.0005.003	\$157.00	31
5.927.0005.035	\$165.00	31
5.927.0005.065	\$305.00	31
5.927.0005.103	\$189.00	31
5.927.0005.104	\$209.00	31
5.927.0006.004	\$211.00	31

Kit #	List Price	Page
5.927.0006.005	\$241.00	31
5.927.0006.006	\$273.00	31
5.927.0006.007	\$277.00	31
5.927.0006.009	\$449.00	31
5.927.0007.004	\$66.00	32
5.927.0007.006	\$86.00	32
5.927.0007.008	\$107.00	32
5.927.0007.012	\$146.00	32
5.927.0007.015	\$176.00	32
5.927.0007.404	\$88.00	32
5.927.0007.406	\$108.00	32
5.927.0007.408	\$128.00	32
5.927.0007.412	\$167.00	32
5.927.0007.415	\$197.00	32
5.927.0008.012	\$278.00	32
5.927.0008.014	\$319.00	32
5.927.0008.015	\$339.00	32
5.927.0008.017	\$381.00	32
5.927.0008.021	\$462.00	32
5.927.0008.412	\$304.00	32
5.927.0008.414	\$344.00	32
5.927.0008.415	\$365.00	32
5.927.0008.417	\$406.00	32
5.927.0008.421	\$487.00	32
5.927.0009.004	\$153.00	32
5.927.0009.006	\$211.00	32
5.927.0009.008	\$269.00	32
5.927.0009.010	\$327.00	32
5.927.0009.012	\$385.00	32
5.927.0009.404	\$180.00	32
5.927.0009.406	\$238.00	32
5.927.0009.408	\$296.00	32
5.927.0009.410	\$354.00	32
5.927.0009.412	\$412.00	32
5.927.0010.104	\$223.00	33
5.927.0010.106	\$243.00	33
5.927.0010.108	\$263.00	33
5.927.0010.112	\$302.00	33
5.927.0012.002	\$100.00	31
5.927.0012.003	\$120.00	31
5.927.0020.204	\$539.00	33
5.927.0020.206	\$590.00	33
5.927.0021.204	\$564.00	33
5.927.0021.206	\$615.00	33
5.927.0030.304	\$961.00	33
5.927.0030.306	\$1,037.00	33
5.927.0030.308	\$1,114.00	33
5.927.0031.304	\$1,037.00	33
5.927.0031.306	\$1,114.00	33
5.927.0031.308	\$1,190.00	33
5.927.0040.204	\$769.00	34
5.927.0040.206	\$812.00	34
5.927.0040.208	\$856.00	34
5.927.0040.304	\$840.00	34
5.927.0040.306	\$905.00	34
5.927.0040.308	\$970.00	34
5.927.0042.204	\$840.00	34
5.927.0042.206	\$883.00	34
5.927.0042.208	\$927.00	34
5.927.0042.404	\$982.00	34
5.927.0042.406	\$1,069.00	34
5.927.0042.408	\$1,156.00	34
5.927.0045.204	\$941.00	34
5.927.0045.206	\$985.00	34
5.927.0045.208	\$1,028.00	34
5.927.0045.404	\$1,083.00	34
5.927.0045.406	\$1,170.00	34
5.927.0045.408	\$1,257.00	34

Kit #	List Price	Page
5.927.0050.001	\$3,086.00	36
5.927.0050.006	\$4,018.00	36
5.927.0050.009	\$4,484.00	36
5.927.0050.012	\$4,950.00	36
5.927.0050.101	\$4,031.00	36
5.927.0050.106	\$4,963.00	36
5.927.0050.109	\$5,429.00	36
5.927.0050.112	\$5,895.00	36
5.927.0050.201	\$5,186.00	36
5.927.0050.206	\$6,118.00	36
5.927.0050.209	\$6,584.00	36
5.927.0050.212	\$7,050.00	36
5.927.0052.001	\$3,338.00	36
5.927.0052.006	\$4,270.00	36
5.927.0052.009	\$4,736.00	36
5.927.0052.012	\$5,202.00	36
5.927.0052.101	\$4,283.00	36
5.927.0052.106	\$5,215.00	36
5.927.0052.109	\$5,681.00	36
5.927.0052.112	\$6,147.00	36
5.927.0052.201	\$5,513.00	36
5.927.0052.206	\$6,446.00	36
5.927.0052.209	\$6,912.00	36
5.927.0052.212	\$7,378.00	36
5.927.0054.001	\$3,426.00	36
5.927.0054.006	\$4,358.00	36
5.927.0054.009	\$4,824.00	36
5.927.0054.012	\$5,291.00	36
5.927.0054.101	\$4,371.00	36
5.927.0054.106	\$5,303.00	36
5.927.0054.109	\$5,769.00	36
5.927.0054.112	\$6,236.00	36
5.927.0054.201	\$5,488.00	36
5.927.0054.206	\$6,420.00	36
5.927.0054.209	\$6,887.00	36
5.927.0054.212	\$7,353.00	36
5.927.0060.001	\$3,388.00	37
5.927.0060.006	\$4,320.00	37
5.927.0060.009	\$4,787.00	37
5.927.0060.012	\$5,253.00	37
5.927.0060.101	\$4,333.00	37
5.927.0060.106	\$5,265.00	37
5.927.0060.109	\$5,732.00	37
5.927.0060.112	\$6,198.00	37
5.927.0060.201	\$5,375.00	37
5.927.0060.206	\$6,307.00	37
5.927.0060.209	\$6,773.00	37
5.927.0060.212	\$7,239.00	37
5.927.0062.001	\$3,678.00	37
5.927.0062.006	\$4,610.00	37
5.927.0062.009	\$5,076.00	37
5.927.0062.012	\$5,543.00	37
5.927.0062.101	\$4,623.00	37
5.927.0062.106	\$5,555.00	37
5.927.0062.109	\$6,021.00	37
5.927.0062.112	\$6,488.00	37
5.927.0062.201	\$5,702.00	37
5.927.0062.206	\$6,635.00	37
5.927.0062.209	\$7,101.00	37
5.927.0062.212	\$7,567.00	37
5.927.0064.001	\$3,615.00	37
5.927.0064.006	\$4,547.00	37
5.927.0064.009	\$5,013.00	37
5.927.0064.012	\$5,480.00	37
5.927.0064.101	\$4,560.00	37
5.927.0064.106	\$5,492.00	37
5.927.0064.109	\$5,958.00	37
5.927.0064.112	\$6,425.00	37

Trylon 21 South Field Drive, Elmira, ON N3B 0A6

P: 519.669.5421 F: 519.669.8912 E: info@trylon.com W: www.trylon.com



Index by Kit Number

Kit #	List Price	Page
5.927.0064.201	\$5,677.00	37
5.927.0064.206	\$6,609.00	37
5.927.0064.209	\$7,076.00	37
5.927.0064.212	\$7,542.00	37
5.927.0070.006	\$1,274.00	39
5.927.0070.009	\$1,426.00	39
5.927.0070.012	\$1,577.00	39
5.927.0071.006	\$1,300.00	39
5.927.0071.009	\$1,451.00	39
5.927.0071.012	\$1,602.00	39
5.927.0080.001	\$3,889.00	35
5.927.0080.606	\$4,380.00	35
5.927.0080.608	\$4,414.00	35
5.927.0080.906	\$4,626.00	35
5.927.0080.908	\$4,663.00	35
5.927.0082.001	\$4,346.00	35
5.927.0082.126	\$5,329.00	35
5.927.0082.128	\$5,379.00	35
5.927.0082.606	\$4,837.00	35
5.927.0082.608	\$4,862.00	35
5.927.0084.001	\$4,441.00	35
5.927.0084.126	\$5,425.00	35
5.927.0084.128	\$5,474.00	35
5.927.0084.606	\$4,934.00	35
5.927.0084.608	\$4,958.00	35
5.927.0100.001	\$49.00	23
5.927.0100.002	\$52.00	23
5.927.0100.003	\$53.00	23
5.927.0100.004	\$57.00	23
5.927.0101.206	\$231.00	23
5.927.0101.310	\$330.00	23
5.927.0105.206	\$321.00	23
5.927.0106.308	\$504.00	23
5.927.0110.001	\$1,440.00	22
5.927.0110.101	\$1,905.00	22
5.927.0111.001	\$1,646.00	22
5.927.0111.101	\$2,110.00	22
5.927.0112.001	\$1,767.00	22
5.927.0112.101	\$2,232.00	22
5.927.0113.001	\$1,972.00	22
5.927.0113.101	\$2,437.00	22
5.927.0120.001	\$2,184.00	22
5.927.0120.101	\$2,881.00	22
5.927.0121.001	\$2,492.00	22
5.927.0121.101	\$3,189.00	22
5.927.0122.001	\$2,674.00	22
5.927.0122.101	\$3,371.00	22
5.927.0123.001	\$2,982.00	22
5.927.0123.101	\$3,679.00	22
5.927.0130.001	\$1,743.00	23
5.927.0130.101	\$2,225.00	23
5.927.0131.001	\$1,956.00	23
5.927.0131.101	\$2,437.00	23
5.927.0132.001	\$2,082.00	23
5.927.0132.101	\$2,563.00	23
5.927.0133.001	\$2,295.00	23
5.927.0133.101	\$2,776.00	23
5.927.0140.001	\$2,674.00	23
5.927.0140.101	\$3,396.00	23
5.927.0141.001	\$2,993.00	23
5.927.0141.101	\$3,716.00	23
5.927.0142.001	\$3,182.00	23
5.927.0142.101	\$3,905.00	23
5.927.0143.001	\$3,501.00	23
5.927.0143.101	\$4,224.00	23
5.930.0051.002	\$1,539.00	26
5.930.0051.003	\$1,739.00	26
5.930.0051.004	\$1,939.00	26

Kit #	List Price	Page
5.930.0051.012	\$1,769.00	26
5.930.0051.013	\$1,968.00	26
5.930.0051.014	\$2,168.00	26
5.930.0052.002	\$1,542.00	26
5.930.0052.003	\$1,742.00	26
5.930.0052.004	\$1,941.00	26
5.930.0052.012	\$1,771.00	26
5.930.0052.013	\$1,971.00	26
5.930.0052.014	\$2,171.00	26
5.930.0053.002	\$1,831.00	26
5.930.0053.003	\$2,044.00	26
5.930.0053.004	\$2,257.00	26
5.930.0053.012	\$2,060.00	26
5.930.0053.013	\$2,273.00	26
5.930.0053.014	\$2,487.00	26
5.930.0054.002	\$1,833.00	26
5.930.0054.003	\$2,047.00	26
5.930.0054.004	\$2,260.00	26
5.930.0054.012	\$2,063.00	26
5.930.0054.013	\$2,276.00	26
5.930.0054.014	\$2,489.00	26
5.930.0055.002	\$1,598.00	27
5.930.0055.003	\$1,798.00	27
5.930.0055.004	\$1,998.00	27
5.930.0055.012	\$1,828.00	27
5.930.0055.013	\$2,028.00	27
5.930.0055.014	\$2,228.00	27
5.930.0056.002	\$1,601.00	27
5.930.0056.003	\$1,801.00	27
5.930.0056.004	\$2,001.00	27
5.930.0056.012	\$1,831.00	27
5.930.0056.013	\$2,030.00	27
5.930.0056.014	\$2,230.00	27
5.930.0057.002	\$1,952.00	27
5.930.0057.003	\$2,165.00	27
5.930.0057.004	\$2,379.00	27
5.930.0057.012	\$2,182.00	27
5.930.0057.013	\$2,395.00	27
5.930.0057.014	\$2,608.00	27
5.930.0058.002	\$1,955.00	27
5.930.0058.003	\$2,168.00	27
5.930.0058.004	\$2,381.00	27
5.930.0058.012	\$2,184.00	27
5.930.0058.013	\$2,398.00	27
5.930.0058.014	\$2,611.00	27
5.930.0071.021	\$1,417.00	28
5.930.0071.022	\$1,802.00	28
5.930.0071.023	\$1,994.00	28
5.930.0071.024	\$2,187.00	28
5.930.0072.021	\$1,672.00	28
5.930.0072.022	\$2,083.00	28
5.930.0072.023	\$2,288.00	28
5.930.0072.024	\$2,493.00	28
5.930.0073.021	\$1,474.00	29
5.930.0073.022	\$1,859.00	29
5.930.0073.023	\$2,051.00	29
5.930.0073.024	\$2,244.00	29
5.930.0073.025	\$2,436.00	29
5.930.0073.026	\$2,629.00	29
5.930.0074.021	\$1,789.00	29
5.930.0074.022	\$2,200.00	29
5.930.0074.023	\$2,405.00	29
5.930.0074.024	\$2,610.00	29
5.930.0074.025	\$2,816.00	29
5.930.0074.026	\$3,021.00	29
5.930.0081.204	\$1,372.00	25
5.930.0081.206	\$1,400.00	25
5.930.0081.304	\$1,516.00	25

Kit #	List Price	Page
5.930.0081.306	\$1,559.00	25
5.930.0081.404	\$1,660.00	25
5.930.0081.406	\$1,717.00	25
5.930.0082.204	\$1,414.00	25
5.930.0082.206	\$1,443.00	25
5.930.0082.304	\$1,559.00	25
5.930.0082.306	\$1,602.00	25
5.930.0082.404	\$1,703.00	25
5.930.0082.406	\$1,760.00	25
5.930.0100.001	\$202.00	4
5.930.0100.002	\$281.00	4
5.930.0100.007	\$396.00	4
5.930.0100.012	\$446.00	4
5.930.0101.001	\$214.00	4
5.930.0101.002	\$295.00	4
5.930.0101.007	\$415.00	4
5.930.0101.012	\$468.00	4
5.930.0102.001	\$237.00	5
5.930.0102.002	\$315.00	5
5.930.0102.007	\$430.00	5
5.930.0102.012	\$481.00	5
5.930.0103.001	\$250.00	5
5.930.0103.002	\$331.00	5
5.930.0103.007	\$451.00	5
5.930.0103.012	\$504.00	5
5.930.0104.001	\$312.00	5
5.930.0104.002	\$390.00	5
5.930.0104.007	\$505.00	5
5.930.0104.012	\$555.00	5
5.930.0105.001	\$328.00	5
5.930.0105.002	\$409.00	5
5.930.0105.007	\$529.00	5
5.930.0105.012	\$582.00	5
5.930.0106.001	\$301.00	6
5.930.0106.002	\$386.00	6
5.930.0106.007	\$511.00	6
5.930.0106.012	\$566.00	6
5.930.0107.001	\$306.00	6
5.930.0107.002	\$391.00	6
5.930.0107.007	\$516.00	6
5.930.0107.012	\$571.00	6
5.930.0108.001	\$403.00	7
5.930.0108.002	\$526.00	7
5.930.0108.007	\$706.00	7
5.930.0108.012	\$785.00	7
5.930.0109.001	\$413.00	7
5.930.0109.002	\$535.00	7
5.930.0109.007	\$715.00	7
5.930.0109.012	\$794.00	7
5.930.0110.001	\$325.00	6
5.930.0110.002	\$407.00	6
5.930.0110.007	\$527.00	6
5.930.0110.012	\$580.00	6
5.930.0111.001	\$329.00	6
5.930.0111.002	\$410.00	6
5.930.0111.007	\$530.00	6
5.930.0111.012	\$583.00	6
5.930.0112.001	\$438.00	7
5.930.0112.002	\$555.00	7
5.930.0112.007	\$631.00	7
5.930.0112.012	\$804.00	7
5.930.0113.001	\$447.00	7
5.930.0113.002	\$565.00	7
5.930.0113.007	\$641.00	7
5.930.0113.012	\$813.00	7
5.930.0120.022	\$580.00	4
5.930.0122.022	\$618.00	5
5.930.0124.022	\$699.00	5

Kit #	List Price	Page
5.930.0126.022	\$635.00	6
5.930.0128.022	\$922.00	7
5.930.0130.022	\$643.00	6
5.930.0132.022	\$976.00	7
5.930.0202.001	\$144.00	3
5.930.0202.002	\$189.00	3
5.930.0202.007	\$254.00	3
5.930.0202.012	\$282.00	3
5.930.0202.022	\$332.00	3
5.930.0203.001	\$164.00	3
5.930.0203.002	\$208.00	3
5.930.0203.007	\$273.00	3
5.930.0203.012	\$302.00	3
5.930.0203.022	\$351.00	3
5.930.0204.001	\$201.00	3
5.930.0204.002	\$241.00	3
5.930.0204.007	\$300.00	3
5.930.0204.012	\$325.00	3
5.930.0204.022	\$370.00	3
5.930.0205.001	\$215.00	3
5.930.0205.002	\$254.00	3
5.930.0205.007	\$312.00	3
5.930.0205.012	\$337.00	3
5.930.0205.022	\$381.00	3
5.930.0206.001	\$227.00	3
5.930.0206.002	\$266.00	3
5.930.0206.007	\$322.00	3
5.930.0206.012	\$347.00	3
5.930.0206.022	\$390.00	3
5.930.0250.001	\$3,044.00	38
5.930.0251.006	\$3,976.00	38
5.930.0251.009	\$4,442.00	38
5.930.0251.012	\$4,908.00	38
5.930.0255.101	\$3,989.00	38
5.930.0256.106	\$4,921.00	38
5.930.0256.109	\$5,387.00	38
5.930.0256.112	\$5,853.00	38
5.930.0258.201	\$5,043.00	38
5.930.0259.206	\$5,975.00	38
5.930.0259.209	\$6,441.00	38
5.930.0259.212	\$6,908.00	38
5.930.0260.001	\$3,233.00	38
5.930.0261.006	\$4,165.00	38
5.930.0261.009	\$4,631.00	38
5.930.0261.012	\$5,097.00	38
5.930.0265.101	\$4,178.00	38
5.930.0266.106	\$5,110.00	38
5.930.0266.109	\$5,576.00	38
5.930.0266.112	\$6,042.00	38
5.930.0268.201	\$5,232.00	38
5.930.0269.206	\$6,164.00	38
5.930.0269.209	\$6,630.00	38
5.930.0269.212	\$7,097.00	38
5.930.0270.001	\$8,806.00	40
5.930.0271.006	\$10,199.00	40
5.930.0271.009	\$10,896.00	40
5.930.0271.012	\$11,592.00	40
5.930.0275.101	\$10,151.00	40
5.930.0276.106	\$11,544.00	40
5.930.0276.109	\$12,240.00	40
5.930.0276.112	\$12,937.00	40
5.930.0278.201	\$11,495.00	40
5.930.0279.206	\$12,888.00	40
5.930.0279.209	\$13,585.00	40
5.930.0279.212	\$14,282.00	40
5.930.0280.001	\$9,179.00	41
5.930.0281.006	\$10,572.00	41
5.930.0281.009	\$11,268.00	41

Index by Kit Number

Kit #	List Price	Page
5.930.0281.012	\$11,965.00	41
5.930.0285.101	\$10,523.00	41
5.930.0286.106	\$11,916.00	41
5.930.0286.109	\$12,613.00	41
5.930.0286.112	\$13,310.00	41
5.930.0288.201	\$11,868.00	41
5.930.0289.206	\$13,261.00	41
5.930.0289.209	\$13,958.00	41
5.930.0289.212	\$14,654.00	41
5.930.0290.001	\$9,665.00	41
5.930.0291.006	\$11,058.00	41
5.930.0291.009	\$11,754.00	41
5.930.0291.012	\$12,451.00	41
5.930.0295.101	\$11,009.00	41
5.930.0296.106	\$12,402.00	41
5.930.0296.109	\$13,099.00	41
5.930.0296.112	\$13,796.00	41
5.930.0298.201	\$12,354.00	41
5.930.0299.206	\$13,747.00	41
5.930.0299.209	\$14,444.00	41
5.930.0299.212	\$15,140.00	41
5.930.0300.001	\$133.00	17
5.930.0300.204	\$330.00	17
5.930.0301.001	\$152.00	17
5.930.0301.204	\$350.00	17
5.930.0301.206	\$389.00	17
5.930.0302.001	\$172.00	17
5.930.0303.001	\$209.00	17
5.930.0304.001	\$238.00	17
5.930.0305.204	\$682.00	18
5.930.0305.206	\$725.00	18
5.930.0305.208	\$769.00	18
5.930.0305.212	\$853.00	18
5.930.0307.204	\$725.00	18
5.930.0307.206	\$769.00	18
5.930.0307.208	\$812.00	18
5.930.0307.212	\$896.00	18
5.930.0311.204	\$809.00	19
5.930.0311.206	\$853.00	19
5.930.0311.208	\$896.00	19
5.930.0311.212	\$980.00	19
5.930.0311.304	\$980.00	19
5.930.0311.306	\$1,045.00	19
5.930.0311.308	\$1,111.00	19
5.930.0311.312	\$1,237.00	19
5.930.0311.404	\$1,151.00	19
5.930.0311.406	\$1,238.00	19
5.930.0311.408	\$1,325.00	19
5.930.0311.412	\$1,621.00	19
5.930.0314.304	\$1,044.00	19
5.930.0314.306	\$1,109.00	19
5.930.0314.308	\$1,175.00	19
5.930.0314.312	\$1,301.00	19
5.930.0314.404	\$1,215.00	19
5.930.0314.406	\$1,302.00	19
5.930.0314.408	\$1,389.00	19
5.930.0314.412	\$1,557.00	19
5.930.0320.001	\$54.00	16
5.930.0320.002	\$75.00	16
5.930.0320.007	\$106.00	16
5.930.0320.012	\$120.00	16
5.930.0321.001	\$45.00	16
5.930.0321.002	\$66.00	16
5.930.0321.007	\$98.00	16
5.930.0321.012	\$111.00	16
5.930.0322.001	\$104.00	16
5.930.0322.002	\$148.00	16
5.930.0322.007	\$213.00	16

Kit #	List Price	Page
5.930.0322.012	\$242.00	16
5.930.0323.001	\$85.00	16
5.930.0323.002	\$129.00	16
5.930.0323.007	\$194.00	16
5.930.0323.012	\$222.00	16
5.930.0360.208	\$1,474.00	20
5.930.0360.210	\$1,511.00	20
5.930.0360.212	\$1,550.00	20
5.930.0361.308	\$1,667.00	20
5.930.0361.310	\$1,721.00	20
5.930.0361.312	\$1,780.00	20
5.930.0362.408	\$1,859.00	20
5.930.0362.410	\$1,932.00	20
5.930.0362.412	\$2,010.00	20
5.930.0365.208	\$1,774.00	21
5.930.0365.210	\$1,807.00	21
5.930.0365.212	\$1,843.00	21
5.930.0366.308	\$1,951.00	21
5.930.0366.310	\$2,002.00	21
5.930.0366.312	\$2,056.00	21
5.930.0367.408	\$2,129.00	21
5.930.0367.410	\$2,196.00	21
5.930.0367.412	\$2,268.00	21
5.930.0370.208	\$1,531.00	20
5.930.0370.210	\$1,568.00	20
5.930.0370.212	\$1,607.00	20
5.930.0371.308	\$1,724.00	20
5.930.0371.310	\$1,778.00	20
5.930.0371.312	\$1,837.00	20
5.930.0372.408	\$1,916.00	20
5.930.0372.410	\$1,989.00	20
5.930.0372.412	\$2,067.00	20
5.930.0375.208	\$1,826.00	21
5.930.0375.210	\$1,860.00	21
5.930.0375.212	\$1,896.00	21
5.930.0376.308	\$2,004.00	21
5.930.0376.310	\$2,054.00	21
5.930.0376.312	\$2,108.00	21
5.930.0377.408	\$2,182.00	21
5.930.0377.410	\$2,249.00	21
5.930.0377.412	\$2,321.00	21
5.933.0400.001	\$353.00	84
5.933.0401.001	\$946.00	84
5.933.0402.001	\$1,799.00	84
5.933.0403.001	\$1,893.00	84
5.933.0404.001	\$3,525.00	84
5.933.0405.001	\$3,970.00	84
5.933.0409.001	\$122.00	85
5.933.0409.002	\$144.00	85
5.933.0409.011	\$353.00	85
5.933.0409.012	\$375.00	85
5.933.0410.001	\$695.00	84
5.933.0411.002	\$1,628.00	84
5.933.0412.001	\$2,456.00	84
5.933.0413.001	\$2,550.00	84
5.933.0414.001	\$4,248.00	84
5.933.0415.001	\$4,693.00	84
5.933.0422.001	\$249.00	85
5.933.0422.002	\$280.00	85
5.933.0423.001	\$294.00	85
5.933.0423.002	\$324.00	85
5.933.0424.001	\$480.00	85
5.933.0424.002	\$511.00	85
5.933.0425.001	\$517.00	85
5.933.0425.002	\$547.00	85
5.939.0005.002	\$16.00	43
5.939.0005.004	\$23.00	43
5.939.0005.012	\$34.00	43

Kit #	List Price	Page
5.939.0005.014	\$47.00	43
5.939.0006.001	\$52.00	43
5.939.0011.001	\$204.00	42
5.939.0011.002	\$224.00	44
5.939.0011.003	\$238.00	44
5.939.0011.005	\$230.00	44
5.939.0011.202	\$237.00	46
5.939.0011.203	\$265.00	46
5.939.0011.205	\$248.00	46
5.939.0012.001	\$343.00	42
5.939.0012.002	\$381.00	44
5.939.0012.003	\$409.00	44
5.939.0012.005	\$392.00	44
5.939.0012.011	\$408.00	42
5.939.0012.012	\$448.00	44
5.939.0012.013	\$476.00	44
5.939.0012.015	\$459.00	44
5.939.0012.402	\$406.00	46
5.939.0012.403	\$462.00	46
5.939.0012.405	\$428.00	46
5.939.0012.412	\$473.00	46
5.939.0012.413	\$529.00	46
5.939.0012.415	\$496.00	46
5.939.0013.001	\$508.00	42
5.939.0013.002	\$512.00	45
5.939.0013.003	\$538.00	45
5.939.0013.005	\$523.00	45
5.939.0013.011	\$572.00	42
5.939.0013.012	\$575.00	45
5.939.0013.013	\$601.00	45
5.939.0013.015	\$585.00	45
5.939.0013.402	\$556.00	47
5.939.0013.403	\$610.00	47
5.939.0013.405	\$578.00	47
5.939.0013.412	\$621.00	47
5.939.0013.413	\$675.00	47
5.939.0013.415	\$643.00	47
5.939.0014.001	\$788.00	42
5.939.0014.002	\$722.00	45
5.939.0014.003	\$746.00	45
5.939.0014.005	\$763.00	45
5.939.0014.011	\$853.00	42
5.939.0014.012	\$780.00	45
5.939.0014.013	\$804.00	45
5.939.0014.015	\$821.00	45
5.939.0014.402	\$806.00	47
5.939.0014.403	\$858.00	47
5.939.0014.405	\$894.00	47
5.939.0014.412	\$868.00	47
5.939.0014.413	\$920.00	47
5.939.0014.415	\$957.00	47
5.939.0015.001	\$172.00	42
5.939.0016.001	\$293.00	42
5.939.0017.004	\$167.00	42
5.939.0017.007	\$180.00	42
5.939.0017.009	\$184.00	42
5.939.0018.004	\$282.00	42
5.939.0018.007	\$302.00	42
5.939.0018.009	\$309.00	42
5.939.0030.002	\$99.00	50
5.939.0030.012	\$109.00	50
5.939.0030.022	\$87.00	50
5.939.0031.002	\$132.00	50
5.939.0031.003	\$132.00	50
5.939.0031.012	\$142.00	50
5.939.0031.013	\$142.00	50
5.939.0031.022	\$122.00	50
5.939.0031.023	\$122.00	50

Kit #	List Price	Page
5.939.0032.002	\$142.00	50
5.939.0032.012	\$152.00	50
5.939.0032.022	\$130.00	50
5.939.0040.002	\$126.00	51
5.939.0040.012	\$142.00	51
5.939.0041.002	\$163.00	51
5.939.0041.003	\$174.00	51
5.939.0041.012	\$180.00	51
5.939.0041.013	\$190.00	51
5.939.0042.002	\$186.00	51
5.939.0042.012	\$203.00	51
5.939.0050.001	\$47.00	48
5.939.0051.006	\$177.00	48
5.939.0051.008	\$177.00	48
5.939.0051.012	\$188.00	48
5.939.0051.018	\$272.00	48
5.939.0070.004	\$458.00	49
5.939.0070.008	\$613.00	49
5.939.0070.012	\$915.00	49
5.939.0075.004	\$272.00	49
5.939.0075.008	\$339.00	49
5.939.0075.012	\$490.00	49
5.939.0100.001	\$1,320.00	58
5.939.0101.001	\$1,493.00	58
5.939.0102.001	\$1,485.00	58
5.939.0103.001	\$1,658.00	58
5.939.0105.001	\$1,637.00	58
5.939.0106.001	\$1,736.00	58
5.939.0107.001	\$1,802.00	58
5.939.0108.001	\$1,901.00	58
5.939.0110.001	\$1,362.00	59
5.939.0111.001	\$1,524.00	59
5.939.0112.001	\$1,524.00	59
5.939.0113.001	\$1,686.00	59
5.939.0115.001	\$1,659.00	59
5.939.0116.001	\$1,752.00	59
5.939.0117.001	\$1,821.00	59
5.939.0118.001	\$1,914.00	59
5.939.0120.001	\$1,270.00	60
5.939.0121.001	\$1,411.00	60
5.939.0122.001	\$1,425.00	60
5.939.0123.001	\$1,565.00	60
5.939.0125.001	\$1,528.00	60
5.939.0126.001	\$1,608.00	60
5.939.0127.001	\$1,682.00	60
5.939.0128.001	\$1,763.00	60
5.939.0130.001	\$1,955.00	63
5.939.0131.001	\$2,236.00	63
5.939.0132.001	\$1,989.00	63
5.939.0133.001	\$2,270.00	63
5.939.0135.001	\$2,467.00	63
5.939.0136.001	\$2,629.00	63
5.939.0137.001	\$2,501.00	63
5.939.0138.001	\$2,662.00	63
5.939.0180.001	\$295.00	64
5.939.0180.002	\$423.00	64
5.939.0181.001	\$365.00	64
5.939.0181.002	\$463.00	64
5.939.0181.011	\$300.00	64
5.939.0181.012	\$398.00	64
5.939.0182.004	\$49.00	64
5.939.0184.024	\$63.00	65
5.939.0184.048	\$98.00	65
5.939.0184.096	\$208.00	65
5.939.0184.112	\$62.00	65
5.939.0184.118	\$68.00	65
5.939.0184.124	\$75.00	65
5.939.0184.212	\$91.00	65

Trylon 21 South Field Drive, Elmira, ON N3B 0A6

P: 519.669.5421 F: 519.669.8912 E: info@trylon.com W: www.trylon.com

Index by Kit Number

Kit #	List Price	Page
5.939.0184.218	\$101.00	65
5.939.0184.224	\$110.00	65
5.939.0186.012	\$112.00	66
5.939.0186.018	\$128.00	66
5.939.0186.024	\$133.00	66
5.939.0187.012	\$81.00	66
5.939.0187.018	\$89.00	66
5.939.0187.024	\$99.00	66
5.939.0188.112	\$40.00	66
5.939.0188.118	\$44.00	66
5.939.0188.124	\$48.00	66
5.939.0188.212	\$68.00	66
5.939.0188.218	\$78.00	66
5.939.0188.224	\$85.00	66
5.939.0189.001	\$54.00	64
5.939.0190.060	\$150.00	67
5.939.0190.100	\$228.00	67
5.939.0192.045	\$107.00	67
5.939.0200.001	\$2,105.00	58
5.939.0201.001	\$2,305.00	58
5.939.0202.001	\$2,486.00	58
5.939.0203.001	\$2,686.00	58
5.939.0205.001	\$2,472.00	58
5.939.0206.001	\$2,586.00	58
5.939.0207.001	\$2,853.00	58
5.939.0208.001	\$2,967.00	58
5.939.0210.001	\$2,213.00	59
5.939.0211.001	\$2,397.00	59
5.939.0212.001	\$2,581.00	59
5.939.0213.001	\$2,764.00	59
5.939.0215.001	\$2,550.00	59
5.939.0216.001	\$2,655.00	59
5.939.0217.001	\$2,917.00	59
5.939.0218.001	\$3,023.00	59
5.939.0220.001	\$1,790.00	60
5.939.0221.001	\$1,925.00	60
5.939.0222.001	\$2,088.00	60
5.939.0223.001	\$2,223.00	60
5.939.0225.001	\$2,038.00	60
5.939.0226.001	\$2,115.00	60
5.939.0227.001	\$2,335.00	60
5.939.0228.001	\$2,413.00	60
5.939.0230.001	\$2,111.00	62
5.939.0231.001	\$2,392.00	62
5.939.0232.001	\$2,218.00	62
5.939.0233.001	\$2,499.00	62
5.939.0235.001	\$2,623.00	62
5.939.0236.001	\$2,785.00	62
5.939.0237.001	\$2,730.00	62
5.939.0238.001	\$2,891.00	62
5.939.0240.001	\$2,665.00	62
5.939.0241.001	\$2,946.00	62
5.939.0242.001	\$2,733.00	62
5.939.0243.001	\$3,013.00	62
5.939.0245.001	\$2,935.00	62
5.939.0246.001	\$3,097.00	62
5.939.0247.001	\$3,245.00	62
5.939.0248.001	\$3,406.00	62
5.939.0250.001	\$2,834.00	61
5.939.0251.001	\$3,094.00	61
5.939.0252.001	\$3,031.00	61
5.939.0253.001	\$3,290.00	61
5.939.0255.001	\$3,310.00	61
5.939.0256.001	\$3,458.00	61
5.939.0257.001	\$3,506.00	61
5.939.0258.001	\$3,655.00	61
5.939.0260.001	\$3,535.00	61
5.939.0261.001	\$3,773.00	61

Kit #	List Price	Page
5.939.0262.001	\$3,650.00	61
5.939.0263.001	\$3,887.00	61
5.939.0265.001	\$3,562.00	61
5.939.0266.001	\$3,698.00	61
5.939.0267.001	\$4,085.00	61
5.939.0268.001	\$4,222.00	61
5.939.0270.001	\$1,645.00	63
5.939.0270.006	\$2,141.00	63
5.939.0270.011	\$1,835.00	63
5.939.0270.016	\$2,331.00	63
5.939.0700.001	\$818.00	54
5.939.0700.101	\$1,143.00	54
5.939.0701.001	\$1,498.00	54
5.939.0701.101	\$2,028.00	54
5.939.0702.001	\$1,931.00	54
5.939.0702.101	\$2,841.00	54
5.939.0703.001	\$2,611.00	54
5.939.0703.101	\$3,726.00	54
5.939.0704.001	\$3,045.00	54
5.939.0704.101	\$4,539.00	54
5.939.0705.001	\$3,725.00	54
5.939.0705.101	\$5,424.00	54
5.939.0706.001	\$4,158.00	54
5.939.0706.101	\$6,237.00	54
5.939.0707.001	\$4,838.00	54
5.939.0707.101	\$7,122.00	54
5.939.0708.001	\$5,272.00	54
5.939.0708.101	\$7,935.00	54
5.939.0709.001	\$5,952.00	54
5.939.0709.101	\$8,820.00	54
5.939.0710.001	\$763.00	55
5.939.0710.101	\$1,089.00	55
5.939.0711.001	\$1,414.00	55
5.939.0711.101	\$1,955.00	55
5.939.0712.001	\$1,767.00	55
5.939.0712.101	\$2,660.00	55
5.939.0713.001	\$2,418.00	55
5.939.0713.101	\$3,526.00	55
5.939.0714.001	\$2,770.00	55
5.939.0714.101	\$4,230.00	55
5.939.0715.001	\$3,422.00	55
5.939.0715.101	\$5,096.00	55
5.939.0716.001	\$3,774.00	55
5.939.0716.101	\$5,801.00	55
5.939.0717.001	\$4,425.00	55
5.939.0717.101	\$6,666.00	55
5.939.0718.001	\$4,778.00	55
5.939.0718.101	\$7,371.00	55
5.939.0719.001	\$5,429.00	55
5.939.0719.101	\$8,237.00	55
5.939.0720.001	\$893.00	54
5.939.0720.101	\$1,283.00	54
5.939.0721.001	\$1,638.00	54
5.939.0721.101	\$2,289.00	54
5.939.0722.001	\$2,139.00	54
5.939.0722.101	\$3,228.00	54
5.939.0723.001	\$2,885.00	54
5.939.0723.101	\$4,235.00	54
5.939.0724.001	\$3,386.00	54
5.939.0724.101	\$5,174.00	54
5.939.0725.001	\$4,131.00	54
5.939.0725.101	\$6,180.00	54
5.939.0726.001	\$4,632.00	54
5.939.0726.101	\$7,119.00	54
5.939.0727.001	\$5,378.00	54
5.939.0727.101	\$8,126.00	54
5.939.0728.001	\$5,878.00	54
5.939.0728.101	\$9,065.00	54

Kit #	List Price	Page
5.939.0729.001	\$6,624.00	54
5.939.0729.101	\$10,071.00	54
5.939.0730.001	\$856.00	55
5.939.0730.101	\$1,257.00	55
5.939.0731.001	\$1,588.00	55
5.939.0731.101	\$2,265.00	55
5.939.0732.001	\$2,010.00	55
5.939.0732.101	\$3,110.00	55
5.939.0733.001	\$2,742.00	55
5.939.0733.101	\$4,119.00	55
5.939.0734.001	\$3,164.00	55
5.939.0734.101	\$4,964.00	55
5.939.0735.001	\$3,896.00	55
5.939.0735.101	\$5,972.00	55
5.939.0736.001	\$4,319.00	55
5.939.0736.101	\$6,818.00	55
5.939.0737.001	\$5,050.00	55
5.939.0737.101	\$7,826.00	55
5.939.0738.001	\$5,473.00	55
5.939.0738.101	\$8,671.00	55
5.939.0739.001	\$6,205.00	55
5.939.0739.101	\$9,680.00	55
5.939.0740.001	\$962.00	54
5.939.0740.101	\$1,406.00	54
5.939.0741.001	\$1,766.00	54
5.939.0741.101	\$2,517.00	54
5.939.0742.001	\$2,326.00	54
5.939.0742.101	\$3,567.00	54
5.939.0743.001	\$3,131.00	54
5.939.0743.101	\$4,679.00	54
5.939.0744.001	\$3,691.00	54
5.939.0744.101	\$5,729.00	54
5.939.0745.001	\$4,496.00	54
5.939.0745.101	\$6,840.00	54
5.939.0746.001	\$5,056.00	54
5.939.0746.101	\$7,890.00	54
5.939.0747.001	\$5,861.00	54
5.939.0747.101	\$9,002.00	54
5.939.0748.001	\$6,421.00	54
5.939.0748.101	\$10,052.00	54
5.939.0749.001	\$7,226.00	54
5.939.0749.101	\$11,163.00	54
5.939.0750.001	\$914.00	55
5.939.0750.101	\$1,317.00	55
5.939.0751.001	\$1,696.00	55
5.939.0751.101	\$2,379.00	55
5.939.0752.001	\$2,168.00	55
5.939.0752.101	\$3,289.00	55
5.939.0753.001	\$2,950.00	55
5.939.0753.101	\$4,351.00	55
5.939.0754.001	\$3,422.00	55
5.939.0754.101	\$5,261.00	55
5.939.0755.001	\$4,204.00	55
5.939.0755.101	\$6,323.00	55
5.939.0756.001	\$4,676.00	55
5.939.0756.101	\$7,233.00	55
5.939.0757.001	\$5,458.00	55
5.939.0757.101	\$8,295.00	55
5.939.0758.001	\$5,931.00	55
5.939.0758.101	\$9,205.00	55
5.939.0759.001	\$6,712.00	55
5.939.0759.101	\$10,267.00	55
5.939.0760.001	\$2,296.00	56
5.939.0761.001	\$2,411.00	56
5.939.0762.001	\$2,632.00	56
5.939.0763.001	\$2,965.00	56
5.939.0765.001	\$2,719.00	56
5.939.0766.001	\$2,834.00	56

Kit #	List Price	Page
5.939.0767.001	\$3,055.00	56
5.939.0768.001	\$3,388.00	56
5.939.0770.001	\$6,183.00	57
5.939.0771.001	\$6,609.00	57
5.939.0772.001	\$7,431.00	57
5.939.0773.001	\$8,668.00	57
5.939.0775.001	\$6,973.00	57
5.939.0776.001	\$7,400.00	57
5.939.0777.001	\$8,221.00	57
5.939.0778.001	\$9,459.00	57
5.939.1172.001	\$314.00	64
5.939.1172.002	\$267.00	64
5.939.1172.003	\$204.00	64
5.939.1172.103	\$150.00	64
5.939.1172.212	\$118.00	64
5.939.1172.224	\$173.00	64
5.939.1178.006	\$98.00	48
5.939.1178.008	\$98.00	48
5.939.1178.012	\$98.00	48
5.939.1178.018	\$161.00	48
5.939.1178.106	\$66.00	48
5.939.1178.108	\$66.00	48
5.939.1178.112	\$77.00	48
5.939.1178.118	\$98.00	48
5.948.0008.004	\$103.00	86
5.948.0009.002	\$312.00	86
5.948.0009.003	\$455.00	86
5.948.0010.001	\$1,328.00	86
5.948.0011.001	\$1,683.00	86
5.948.0020.001	\$1,640.00	86
5.948.0020.002	\$1,952.00	86
5.948.0021.001	\$2,138.00	86
5.948.0021.002	\$2,592.00	86
5.951.0001.001	\$196.00	73
5.951.0001.011	\$149.00	73
5.951.0002.001	\$19.00	73
5.951.0004.001	\$58.00	73
5.951.0005.001	\$28.00	73
5.951.0006.001	\$190.00	73
5.951.0006.002	\$44.00	73
5.951.0010.001	\$26.00	80
5.951.0010.002	\$66.00	80
5.951.0010.003	\$45.00	80
5.951.0010.004	\$20.00	80
5.951.0010.005	\$28.00	80
5.951.0011.001	\$92.00	80
5.951.0011.002	\$203.00	80
5.951.0011.003	\$113.00	80
5.951.0011.005	\$95.00	80
5.951.0014.001	\$54.00	80
5.951.0014.002	\$76.00	80
5.951.0014.011	\$97.00	80
5.951.0014.012	\$114.00	80
5.951.0017.130	\$240.00	68
5.951.0017.160	\$257.00	68
5.951.0017.230	\$246.00	68
5.951.0017.242	\$254.00	68
5.951.0020.007	\$825.00	69
5.951.0020.010	\$857.00	69
5.951.0022.007	\$1,677.00	70
5.951.0022.010	\$1,711.00	70
5.951.0023.007	\$1,894.00	70
5.951.0023.010	\$1,928.00	70
5.951.0024.007	\$2,111.00	70
5.951.0024.010	\$2,145.00	70
5.951.0029.005	\$570.00	68
5.951.0029.015	\$676.00	68
5.951.0030.007	\$912.00	69

Index by Kit Number

Kit #	List Price	Page
5.951.0030.010	\$979.00	69
5.951.0039.005	\$634.00	68
5.951.0039.008	\$699.00	68
5.951.0040.007	\$982.00	69
5.951.0040.010	\$1,076.00	69
5.951.0049.005	\$684.00	68
5.951.0050.001	\$209.00	78
5.951.0050.002	\$256.00	78
5.951.0050.011	\$303.00	78
5.951.0050.012	\$339.00	78
5.951.0051.001	\$229.00	78
5.951.0051.002	\$276.00	78
5.951.0051.011	\$322.00	78
5.951.0051.012	\$359.00	78
5.951.0052.001	\$289.00	78
5.951.0052.002	\$335.00	78
5.951.0052.011	\$382.00	78
5.951.0052.012	\$419.00	78
5.951.0053.001	\$308.00	78
5.951.0053.002	\$355.00	78
5.951.0053.011	\$402.00	78
5.951.0053.012	\$438.00	78
5.951.0054.001	\$326.00	78
5.951.0054.002	\$373.00	78
5.951.0054.011	\$420.00	78
5.951.0054.012	\$456.00	78
5.951.0060.001	\$378.00	79
5.951.0060.002	\$435.00	79
5.951.0060.011	\$558.00	79
5.951.0060.012	\$595.00	79
5.951.0061.001	\$415.00	79
5.951.0061.002	\$473.00	79
5.951.0061.011	\$595.00	79
5.951.0061.012	\$633.00	79
5.951.0062.001	\$496.00	79
5.951.0062.002	\$554.00	79
5.951.0062.011	\$676.00	79
5.951.0062.012	\$714.00	79
5.951.0063.001	\$477.00	79
5.951.0063.002	\$537.00	79
5.951.0063.011	\$664.00	79
5.951.0063.012	\$703.00	79
5.951.0064.001	\$683.00	79
5.951.0064.002	\$772.00	79
5.951.0064.011	\$963.00	79
5.951.0064.012	\$1,022.00	79
5.951.0107.001	\$945.00	71
5.951.0107.206	\$1,137.00	71
5.951.0107.208	\$1,182.00	71
5.951.0107.210	\$1,224.00	71
5.951.0112.001	\$1,011.00	71
5.951.0112.306	\$1,299.00	71
5.951.0112.308	\$1,367.00	71
5.951.0112.310	\$1,430.00	71
5.951.0112.406	\$1,395.00	71
5.951.0112.408	\$1,485.00	71
5.951.0112.410	\$1,569.00	71
5.951.0115.001	\$1,062.00	71
5.951.0115.306	\$1,350.00	71
5.951.0115.308	\$1,418.00	71
5.951.0115.310	\$1,481.00	71
5.951.0115.406	\$1,446.00	71
5.951.0115.408	\$1,536.00	71
5.951.0115.410	\$1,620.00	71
5.951.0211.006	\$1,785.00	72
5.951.0212.006	\$1,731.00	72
5.951.0213.006	\$1,698.00	72
5.951.0214.006	\$1,662.00	72

Kit #	List Price	Page
5.951.1014.012	\$8.00	80
5.960.0002.001	\$57.00	8
5.960.0003.001	\$68.00	8
5.960.0003.002	\$65.00	8
5.960.0003.003	\$63.00	8
5.960.0003.004	\$63.00	8
5.960.0003.005	\$61.00	8
5.960.0004.001	\$81.00	8
5.960.0004.002	\$80.00	8
5.960.0004.003	\$77.00	8
5.960.0004.004	\$75.00	8
5.960.0005.002	\$80.00	8
5.960.0005.003	\$133.00	8
5.960.0005.004	\$139.00	8
5.960.0005.005	\$155.00	8
5.960.0006.001	\$86.00	9
5.960.0006.002	\$85.00	9
5.960.0006.003	\$84.00	9
5.960.0006.004	\$82.00	9
5.960.0006.102	\$166.00	9
5.960.0006.103	\$164.00	9
5.960.0006.104	\$162.00	9
5.960.0007.001	\$127.00	10
5.960.0008.001	\$139.00	9
5.960.0008.002	\$138.00	9
5.960.0008.003	\$127.00	9
5.960.0008.004	\$126.00	9
5.960.0010.001	\$62.00	10
5.960.0010.018	\$86.00	10
5.960.0010.024	\$90.00	10
5.960.0010.118	\$101.00	10
5.960.0010.124	\$104.00	10
5.960.0010.226	\$113.00	10
5.960.0010.231	\$116.00	10
5.960.0011.100	\$23.00	76
5.960.0011.101	\$35.00	76
5.960.0011.102	\$35.00	76
5.960.0011.103	\$36.00	76
5.960.0011.200	\$39.00	77
5.960.0011.201	\$51.00	77
5.960.0011.202	\$51.00	77
5.960.0011.203	\$53.00	77
5.960.0012.100	\$33.00	76
5.960.0012.101	\$45.00	76
5.960.0012.102	\$47.00	76
5.960.0012.103	\$47.00	76
5.960.0012.104	\$48.00	76
5.960.0012.200	\$57.00	77
5.960.0012.201	\$69.00	77
5.960.0012.202	\$71.00	77
5.960.0012.203	\$71.00	77
5.960.0012.204	\$72.00	77
5.960.0013.100	\$60.00	76
5.960.0013.101	\$84.00	76
5.960.0013.102	\$87.00	76
5.960.0013.103	\$89.00	76
5.960.0013.104	\$90.00	76
5.960.0013.200	\$91.00	77
5.960.0013.201	\$112.00	77
5.960.0013.202	\$114.00	77
5.960.0013.203	\$116.00	77
5.960.0013.204	\$117.00	77
5.960.0014.100	\$62.00	76
5.960.0014.101	\$86.00	76
5.960.0014.102	\$89.00	76
5.960.0014.103	\$90.00	76
5.960.0014.104	\$92.00	76
5.960.0014.200	\$94.00	77

Kit #	List Price	Page
5.960.0014.201	\$114.00	77
5.960.0014.202	\$117.00	77
5.960.0014.203	\$118.00	77
5.960.0014.204	\$120.00	77
5.960.0020.104	\$103.00	90
5.960.0020.106	\$123.00	90
5.960.0020.108	\$143.00	90
5.960.0020.110	\$162.00	90
5.960.0020.112	\$182.00	90
5.960.0021.104	\$107.00	90
5.960.0021.106	\$127.00	90
5.960.0021.108	\$147.00	90
5.960.0021.110	\$166.00	90
5.960.0021.112	\$186.00	90
5.960.0022.104	\$109.00	90
5.960.0022.106	\$130.00	90
5.960.0022.108	\$150.00	90
5.960.0022.110	\$169.00	90
5.960.0022.112	\$189.00	90
5.960.0023.104	\$116.00	90
5.960.0023.106	\$136.00	90
5.960.0023.108	\$157.00	90
5.960.0023.110	\$176.00	90
5.960.0023.112	\$196.00	90
5.960.0025.204	\$165.00	90
5.960.0025.206	\$186.00	90
5.960.0025.208	\$207.00	90
5.960.0025.210	\$227.00	90
5.960.0025.212	\$248.00	90
5.960.0026.204	\$174.00	90
5.960.0026.206	\$195.00	90
5.960.0026.208	\$216.00	90
5.960.0026.210	\$235.00	90
5.960.0026.212	\$256.00	90
5.960.0027.204	\$179.00	90
5.960.0027.206	\$200.00	90
5.960.0027.208	\$221.00	90
5.960.0027.210	\$241.00	90
5.960.0027.212	\$262.00	90
5.960.0028.204	\$193.00	90
5.960.0028.206	\$214.00	90
5.960.0028.208	\$235.00	90
5.960.0028.210	\$255.00	90
5.960.0028.212	\$276.00	90
5.960.0030.104	\$154.00	91
5.960.0030.106	\$194.00	91
5.960.0030.108	\$235.00	91
5.960.0030.110	\$277.00	91
5.960.0030.112	\$317.00	91
5.960.0031.104	\$155.00	91
5.960.0031.106	\$196.00	91
5.960.0031.108	\$236.00	91
5.960.0031.110	\$278.00	91
5.960.0031.112	\$319.00	91
5.960.0032.104	\$158.00	91
5.960.0032.106	\$198.00	91
5.960.0032.108	\$239.00	91
5.960.0032.110	\$281.00	91
5.960.0032.112	\$321.00	91
5.960.0033.104	\$165.00	91
5.960.0033.106	\$205.00	91
5.960.0033.108	\$246.00	91
5.960.0033.110	\$288.00	91
5.960.0033.112	\$328.00	91
5.960.0035.204	\$217.00	91
5.960.0035.206	\$258.00	91
5.960.0035.208	\$298.00	91
5.960.0035.210	\$340.00	91

Kit #	List Price	Page
5.960.0035.212	\$381.00	91
5.960.0036.204	\$220.00	91
5.960.0036.206	\$261.00	91
5.960.0036.208	\$301.00	91
5.960.0036.210	\$343.00	91
5.960.0036.212	\$383.00	91
5.960.0037.204	\$225.00	91
5.960.0037.206	\$266.00	91
5.960.0037.208	\$306.00	91
5.960.0037.210	\$348.00	91
5.960.0037.212	\$389.00	91
5.960.0038.204	\$239.00	91
5.960.0038.206	\$279.00	91
5.960.0038.208	\$320.00	91
5.960.0038.210	\$362.00	91
5.960.0038.212	\$402.00	91
5.960.0040.104	\$204.00	92
5.960.0040.106	\$265.00	92
5.960.0040.108	\$325.00	92
5.960.0040.110	\$385.00	92
5.960.0040.112	\$445.00	92
5.960.0041.104	\$206.00	92
5.960.0041.106	\$266.00	92
5.960.0041.108	\$326.00	92
5.960.0041.110	\$386.00	92
5.960.0041.112	\$447.00	92
5.960.0042.104	\$209.00	92
5.960.0042.106	\$269.00	92
5.960.0042.108	\$329.00	92
5.960.0042.110	\$389.00	92
5.960.0042.112	\$449.00	92
5.960.0043.104	\$210.00	92
5.960.0043.106	\$270.00	92
5.960.0043.108	\$330.00	92
5.960.0043.110	\$391.00	92
5.960.0043.112	\$451.00	92
5.960.0045.204	\$267.00	92
5.960.0045.206	\$325.00	92
5.960.0045.208	\$383.00	92
5.960.0045.210	\$441.00	92
5.960.0045.212	\$500.00	92
5.960.0046.204	\$270.00	92
5.960.0046.206	\$328.00	92
5.960.0046.208	\$386.00	92
5.960.0046.210	\$444.00	92
5.960.0046.212	\$502.00	92
5.960.0047.204	\$275.00	92
5.960.0047.206	\$333.00	92
5.960.0047.208	\$392.00	92
5.960.0047.210	\$450.00	92
5.960.0047.212	\$508.00	92
5.960.0048.204	\$278.00	92
5.960.0048.206	\$336.00	92
5.960.0048.208	\$394.00	92
5.960.0048.210	\$452.00	92
5.960.0048.212	\$510.00	92
5.960.1065.001	\$14.00	93
5.960.1065.002	\$22.00	93
5.960.1065.003	\$28.00	93
5.960.1065.004	\$36.00	93
5.960.1065.005	\$43.00	93
5.960.1065.006	\$51.00	93
5.960.1065.007	\$58.00	93
5.960.1065.008	\$66.00	93
5.960.1065.009	\$73.00	93
5.960.1065.010	\$81.00	93
5.960.1065.011	\$88.00	93
5.960.1065.012	\$96.00	93

Trylon 21 South Field Drive, Elmira, ON N3B 0A6

P: 519.669.5421 F: 519.669.8912 E: info@trylon.com W: www.trylon.com

Index by Kit Number

Kit #	List Price	Page
5.960.1065.013	\$103.00	93
5.960.1065.014	\$111.00	93
5.960.1065.015	\$117.00	93
5.960.1065.016	\$126.00	93
5.960.1065.017	\$132.00	93
5.960.1065.018	\$140.00	93
5.960.1065.019	\$147.00	93
5.960.1065.020	\$155.00	93
5.960.1065.021	\$162.00	93
5.960.1066.001	\$17.00	93
5.960.1066.002	\$28.00	93
5.960.1066.003	\$38.00	93
5.960.1066.004	\$48.00	93
5.960.1066.005	\$59.00	93
5.960.1066.006	\$69.00	93
5.960.1066.007	\$78.00	93
5.960.1066.008	\$90.00	93
5.960.1066.009	\$99.00	93
5.960.1066.010	\$109.00	93
5.960.1066.011	\$120.00	93
5.960.1066.012	\$130.00	93
5.960.1066.013	\$140.00	93
5.960.1066.014	\$151.00	93
5.960.1066.015	\$161.00	93
5.960.1066.016	\$171.00	93
5.960.1066.017	\$182.00	93
5.960.1066.018	\$192.00	93
5.960.1066.019	\$202.00	93
5.960.1066.020	\$213.00	93
5.960.1066.021	\$223.00	93
5.960.1067.001	\$23.00	93
5.960.1067.002	\$38.00	93
5.960.1067.003	\$54.00	93
5.960.1067.004	\$70.00	93
5.960.1067.005	\$85.00	93
5.960.1067.006	\$101.00	93
5.960.1067.007	\$116.00	93
5.960.1067.008	\$132.00	93
5.960.1067.009	\$147.00	93
5.960.1067.010	\$163.00	93
5.960.1067.011	\$178.00	93
5.960.1067.012	\$194.00	93
5.960.1067.013	\$211.00	93
5.960.1067.014	\$225.00	93
5.960.1067.015	\$242.00	93
5.960.1067.016	\$257.00	93
5.960.1067.017	\$273.00	93
5.960.1067.018	\$288.00	93
5.960.1067.019	\$304.00	93
5.960.1067.020	\$319.00	93
5.960.1067.021	\$335.00	93
5.960.1068.001	\$30.00	93
5.960.1068.002	\$50.00	93
5.960.1068.003	\$70.00	93
5.960.1068.004	\$90.00	93
5.960.1068.005	\$111.00	93
5.960.1068.006	\$131.00	93
5.960.1068.007	\$151.00	93
5.960.1068.008	\$171.00	93
5.960.1068.009	\$193.00	93
5.960.1068.010	\$213.00	93
5.960.1068.011	\$234.00	93
5.960.1068.012	\$254.00	93
5.960.1068.013	\$274.00	93
5.960.1068.014	\$294.00	93
5.960.1068.015	\$315.00	93
5.960.1068.016	\$335.00	93
5.960.1068.017	\$356.00	93

Kit #	List Price	Page
5.960.1068.018	\$377.00	93
5.960.1068.019	\$397.00	93
5.960.1068.020	\$417.00	93
5.960.1068.021	\$437.00	93
5.960.1070.001	\$36.00	93
5.960.1070.002	\$64.00	93
5.960.1070.003	\$90.00	93
5.960.1070.004	\$118.00	93
5.960.1070.005	\$144.00	93
5.960.1070.006	\$171.00	93
5.960.1070.007	\$198.00	93
5.960.1070.008	\$225.00	93
5.960.1070.009	\$251.00	93
5.960.1070.010	\$279.00	93
5.960.1070.011	\$305.00	93
5.960.1070.012	\$333.00	93
5.960.1070.013	\$359.00	93
5.960.1070.014	\$386.00	93
5.960.1070.015	\$413.00	93
5.960.1070.016	\$440.00	93
5.960.1070.017	\$466.00	93
5.960.1070.018	\$494.00	93
5.960.1070.019	\$520.00	93
5.960.1070.020	\$548.00	93
5.960.1070.021	\$575.00	93
5.963.0001.001	\$19.00	14
5.963.0001.002	\$23.00	14
5.963.0001.210	\$50.00	14
5.963.0001.310	\$73.00	14
5.963.0002.002	\$58.00	14
5.963.0002.003	\$79.00	14
5.963.0003.001	\$222.00	11
5.963.0003.002	\$255.00	11
5.963.0003.003	\$281.00	11
5.963.0003.101	\$225.00	11
5.963.0003.102	\$259.00	11
5.963.0003.103	\$284.00	11
5.963.0003.201	\$229.00	11
5.963.0003.202	\$262.00	11
5.963.0003.203	\$288.00	11
5.963.0004.001	\$194.00	11
5.963.0004.002	\$212.00	11
5.963.0004.003	\$229.00	11
5.963.0005.000	\$266.00	12
5.963.0005.001	\$301.00	12
5.963.0005.002	\$328.00	12
5.963.0005.003	\$372.00	12
5.963.0006.000	\$270.00	12
5.963.0006.001	\$305.00	12
5.963.0006.002	\$331.00	12
5.963.0006.003	\$376.00	12
5.963.0006.100	\$296.00	12
5.963.0006.101	\$331.00	12
5.963.0006.102	\$358.00	12
5.963.0006.103	\$402.00	12
5.963.0006.200	\$379.00	12
5.963.0006.202	\$452.00	12
5.963.0006.203	\$506.00	12
5.963.0006.203	\$598.00	12
5.963.0007.108	\$186.00	13
5.963.0007.112	\$224.00	13
5.963.0007.115	\$252.00	13
5.963.0007.120	\$300.00	13
5.963.0007.208	\$192.00	13
5.963.0007.212	\$230.00	13
5.963.0007.215	\$259.00	13
5.963.0007.220	\$307.00	13
5.963.0007.308	\$212.00	13

Kit #	List Price	Page
5.963.0007.312	\$250.00	13
5.963.0007.315	\$278.00	13
5.963.0007.320	\$326.00	13
5.963.0007.408	\$274.00	13
5.963.0007.412	\$312.00	13
5.963.0007.415	\$341.00	13
5.963.0007.420	\$389.00	13
5.963.0010.010	\$315.00	87
5.963.0010.012	\$358.00	87
5.963.0011.010	\$351.00	87
5.963.0012.103	\$386.00	87
5.963.0012.104	\$409.00	87
5.963.0014.012	\$465.00	87
5.963.0020.001	\$99.00	15
5.963.0020.002	\$104.00	15
5.963.0020.003	\$128.00	15
5.963.0020.010	\$108.00	15
5.963.0020.011	\$109.00	15
5.963.0020.012	\$110.00	15
5.963.0020.013	\$110.00	15
5.963.1001.001	\$64.00	94
5.963.1001.002	\$61.00	94
5.963.1001.003	\$66.00	94
5.963.1001.004	\$69.00	94
5.963.1001.005	\$72.00	94
5.963.1001.006	\$73.00	94
5.963.1001.007	\$76.00	94
5.963.1001.008	\$94.00	94
5.963.1001.009	\$110.00	94
5.963.1001.010	\$127.00	94
5.963.1001.011	\$143.00	94
5.963.1001.012	\$160.00	94
5.963.1001.013	\$220.00	94
5.963.1001.014	\$275.00	94
5.963.1001.083	\$73.00	94
5.963.1001.084	\$92.00	94
5.963.1001.087	\$65.00	94
5.963.1001.088	\$52.00	94
5.963.1001.205	\$77.00	94
5.963.1001.206	\$106.00	94
5.963.1001.207	\$135.00	94
5.963.1001.208	\$80.00	94
5.963.1019.108	\$66.00	94
5.963.1019.148	\$71.00	94
5.963.1019.208	\$66.00	94
5.963.1019.210	\$70.00	94
5.963.1019.213	\$81.00	94
5.963.1019.218	\$92.00	94
5.963.1019.224	\$104.00	94
5.963.1019.230	\$115.00	94
5.963.1019.236	\$153.00	94
5.963.1019.242	\$168.00	94
5.963.1019.424	\$208.00	94
5.963.1019.442	\$314.00	94
5.963.1020.124	\$173.00	94
5.963.1191.120	\$197.00	64
5.963.1192.120	\$270.00	64
5.963.1193.120	\$328.00	64
5.963.1202.001	\$8.00	14
5.963.9001.001	\$2.90	99

Credit Application

General Company Information

Date _____			
Legal Business Name _____	Telephone Number _____	Fax Number _____	
Parent Company Name (if applicable) _____	City _____	State / Province _____	Zip / Area Code _____
Delivery Address (no P.O.s) _____	City _____	State / Province _____	Zip / Area Code _____
Billing Address (if different from Delivery Address) _____	City _____	State / Province _____	Zip / Area Code _____

Please Complete in Full, All Information Kept Confidential

Proprietorship _____	Limited Proprietorship _____	Partnership _____	Corporation _____	Inc within last 12 mo _____
_____	_____	_____	_____	_____
Company Officer, Partner, or Owner _____	Title _____	Residential Telephone Number _____		Years with Company _____
Financial Contact Person _____	Title _____	Telephone Number _____		Fax Number _____
Years in Business _____	Federal Tax ID Number _____	Years at this Location _____	Own _____	Rent _____
Bank Name / Reference _____	Address _____	City _____	State / Province _____	Zip / Area Code _____
Account Number _____	Account Representative _____	Bank Telephone Number _____	Bank Fax Number _____	

Trade References

Company 1 _____	Address _____	City _____	State / Province _____	Zip / Area Code _____
Contact Person _____	Title _____	Terms _____	Telephone Number _____	Fax Number _____
Company 2 _____	Address _____	City _____	State / Province _____	Zip / Area Code _____
Contact Person _____	Title _____	Terms _____	Telephone Number _____	Fax Number _____
Company 3 _____	Address _____	City _____	State / Province _____	Zip / Area Code _____
Contact Person _____	Title _____	Terms _____	Telephone Number _____	Fax Number _____

Authorization

Please state your normal monthly basis on which you pay merchandise bills: _____

Please state your estimated monthly purchases from us: _____

I HEREBY GRANT PERMISSION FOR YOU TO VERIFY THE ABOVE INFORMATION AND REFERENCES

NAME: _____ TITLE: _____

SIGNATURE: _____ DATE: _____

OUR TERMS ARE NET THIRTY (30) DAYS FROM DATE OF SHIPPING

Internal Use Only—Do Not Complete

Trylon TSF Sales Representative _____	Credit Limit Recommended _____	Credit Limit Approval _____
REQUESTED BY: _____	APPROVED BY: _____	
DATE: _____	DATE: _____	

Terms and Conditions

Acceptance. Purchase Orders shall be considered final upon acceptance by Trylon TSF (hereafter "Supplier") by issuance of a written order confirmation. The issuance by Purchaser of a Purchase Order to Supplier shall constitute acceptance by Purchaser of these Terms and Conditions which shall supersede all additional or conflicting terms and conditions on Purchaser's Purchase Order. The contract between Purchaser and Supplier shall consist of Supplier's written confirmation and these Terms and Conditions.

Pricing. Price quotation and terms shall remain in effect for thirty (30) days from date of issuance. Supplier reserves the right to change published pricing at any time.

Payment Terms. Terms of payment shall be Net thirty (30) calendar days from the date of invoice for all Product shipped by Supplier.

Finance and Collection Charge. Purchaser agrees to pay a finance charge, at a monthly rate of 2%, on past due invoices where allowed by applicable law. Purchaser agrees to pay Supplier all costs of collection including but not limited to reasonable legal fees, collection fees and court costs incurred by Supplier to collect properly due payments.

Taxes. Purchaser is responsible for all sales, use, and similar taxes, and agrees to reimburse Supplier for any such charges paid on Purchaser's behalf.

Credit Limits. Credit limits shall be determined and modified at the sole discretion of the Supplier. In the event that Purchaser is delinquent in payment, Supplier may suspend any shipment or delivery or refuse to perform any work until all past due amounts, including finance charges, have been paid in full.

Shipping Terms. Shipping terms for shipments within Canada and the United States are F.O.B. Supplier's Point of Shipment. Shipping terms for international shipments are EXW Supplier's Point of Shipment (Incoterms 2000).

Title and Risk of Loss. Title to and risk of loss and damage to the Products shall pass to Purchaser immediately upon delivery of the Products to a common carrier, or to an employee or other agent of Purchaser, at Supplier's facility.

Inspection. Purchaser or its designated representative shall inspect all Products within seven (7) calendar days after delivery of Products (hereinafter "Inspection Period") and Purchaser shall notify Supplier of any defects, shortages, overshipments, or nonconformance in any of the Products. Any Products not rejected by Purchaser within such period shall be deemed to have been accepted by Purchaser.

Shortages/Overshipments. In the event that Supplier delivers less than the scheduled requirements and Supplier is notified of such shortage within the Inspection Period, Supplier shall correct such shortage within a commercially reasonable period of time after receipt of written notice from Purchaser or as otherwise agreed by the parties. If Supplier delivers more than the quantity ordered, Purchaser can return any excess Product at Supplier's expense or retain such excess as mutually agreed by the parties.

Shipping Damage. All claims for transportation damage shall be filed and processed by the Purchaser.

Mode of Shipment. In the event that the Purchaser specifies in a Purchase Order the shipping carrier, type of service, and payment method (collectively hereinafter "Mode of Shipment"), freight costs shall be charged in a manner consistent with the Purchase Order. In the event that Purchaser has not specified a Mode of Shipment on a Purchase Order, at the sole discretion of Supplier, such charges may be prepaid by Supplier and added to Supplier's invoice to Purchaser.

Purchase Orders. Purchaser shall order Products from Supplier by issuing a Purchase Order (hereinafter "Purchase Order(s)"). All Purchase Orders must be issued in writing and signed by Purchaser's authorized representative. Any and all pre-printed terms and conditions on Purchaser's forms and documents are null and void and hereby expressly rejected, and are superseded by the terms and conditions of this Agreement.

Cancellation. All requests for cancellation or changes of Purchase Orders must be submitted in writing by Purchaser. In the event that Purchaser cancels or changes a Purchase Order, Purchaser agrees to pay a restocking fee of not less than 35% for standard Products and 100% for custom Products of the dollar value of the Purchase Order line item(s) cancelled.

Returns.

(a) Purchaser may submit a request for return of Products once Products have been delivered to a common carrier, or to an employee or other agent of Purchaser, at Supplier's facility. All requests by Purchaser to return Products must be submitted in writing to Supplier utilizing Supplier's Return Request Form. Supplier shall not consider return requests received later than ninety (90) calendar days after shipment of Products.

(b) Supplier shall evaluate the Return Request Form in a timely manner. Supplier may, at its sole discretion, issue Purchaser written authorization to ship Product back to Supplier (hereinafter "Return Material Authorization"). The issuance of a Return Material Authorization is not acceptance of the returned Product, merely authorization to return the Product for inspection. In the event that Supplier deems that the request is not made in compliance with the terms of this Agreement, Supplier shall notify Purchaser in writing that the request for return has been denied.

(c) Upon receipt of such Products, Supplier shall inspect the Products and, at its sole discretion, accept or deny the return of such Products. In the event that Supplier accepts the return of Products from Purchaser, Supplier shall issue a credit to Purchaser in the amount of the original invoice amount for the Products less a restocking charge (hereinafter "Restocking Fee"). Purchaser acknowledges that customary Restocking Fees are 35% for standard Products and 100% for custom Products. In the event that Supplier denies the return of Products from Purchaser, Supplier shall ship Products back to Purchaser at Purchaser's sole expense. All shipping costs for the return of goods are the responsibility of the Purchaser. In the event that, upon inspection, Supplier determines that the Products are subject to the terms of Supplier's warranty or that the Products were shipped by the Supplier to Purchaser due to an error by Supplier, Supplier shall waive any Restocking Fees and shall issue a credit to Purchaser for any shipping costs for the shipment of Products back to Supplier.

Specifications. All Products shall be manufactured to meet Supplier's current manufacturing and engineering standards. All Products shall be packaged and labeled in accordance with Supplier's standard commercial practices. Supplier reserves the right to change or modify Products at any time.

Warranty. Supplier warrants that, at time of shipment, the Products furnished by Supplier are free from defects in material and workmanship. Supplier's obligation under this warranty is limited to repair and replacement of any defective Product within one (1) year from the date of shipment to the first Purchaser. Supplier shall have the sole discretion as to which of these remedies it shall provide. These warranties shall not apply to any Product which has been subjected to misuse, neglect, alteration, accidental damage, damage or defects attributable after shipment, defects during storage or installation, defects attributable to improper installation or use for purposes other than the Product was intended, and any other defects out of the reasonable control of Supplier. Seller makes no warranties, guarantees, covenants or representations other than those expressly set out in this Warranty. The warranties and remedies provided herein are Purchaser's sole and exclusive remedies and are provided expressly in lieu of all other warranties, whether express, implied, or arising by statute or otherwise in law or from a course of dealing or usage of trade, including but not limited to, warranties of merchantability or fitness for a particular purpose. Purchaser agrees that Supplier's liability under this Agreement, and any Purchase Order issued pursuant to this Agreement, shall never exceed the purchase price of the line item upon which liability is based. Under no circumstances shall Supplier be liable for consequential, incidental, special, direct, or indirect damages including but not limited to labor costs, installation costs, inconvenience, cost of replacement goods, loss of revenue or profits, or other costs of any nature as a result of the use of Products manufactured by Supplier.

Force Majeure. Supplier shall not be liable for failure to perform any of its obligations under this Agreement to the extent such failure is caused by fire; flood; explosion; war; riot; embargo; labor disputes; compliance with any laws, regulations, orders, acts or requirements from the government, civil or military authorities; acts of God or the public enemy; or any act or event of any nature beyond the Supplier's reasonable control. In no event shall Supplier be liable to Purchaser for any special, incidental, or consequential damages as a result of delay in performance or failure to perform hereunder.



Trylon

21 South Field Drive, Elmira, ON N3B 0A6
1-519-669-5421 (phone) 1-519-669-8912 (fax)
www.trylon.com info@trylon.com