



Base Node Installation Guide

vIG_BN_2022-09



Table of Contents

TABLE OF CONTENTS	1	MOUNTING	19
SAFETY AND WARNINGS	3	BN POLE-MOUNT BRACKET ASSEMBLY.....	19
GENERAL WARNINGS	3	MOUNTING THE BRACKET EARS.....	20
FCC INFORMATION	3	MOUNTING THE BN TO THE BRACKET.....	20
GENERAL HEALTH AND SAFETY INFORMATION	4	ANTENNA AIMING	23
HEALTH AND SAFETY WARNING	5	ADJUSTING THE AZIMUTH	23
WARNING LABELS	5	ADJUSTING THE TILT	24
GENERAL HAZARDS	6	POWER AND CONNECTIONS	25
BN HOMOLOGATION COUNTRY LIST	7	POWER	25
G1-BN5ASI002/G1BN5ASI002	7	ELECTRICAL GROUNDING	26
PREPARATION	8	ETHERNET GROUNDING	26
TOOLS	8	PHYSICAL CONNECTIONS	26
CUSTOMER SUPPLIED EQUIPMENT	8	PHYSICAL CONNECTION SEQUENCE.....	26
TARANA HARDWARE AND PERIPHERALS	8	CHASSIS GROUNDING	27
BN MOUNTING KIT CONTENTS	8	BOOTING	28
SURGE PROTECTORS	9	MANAGEMENT PATHS BN WEB UI	29
POWERING THE BN	10	IN-BAND MANAGEMENT	29
INITIAL CONFIGURATION	11	OUT-OF-BAND MANAGEMENT.....	29
ACCESSING THE MGMT PORT	13	TCS CONFIRMATION	30
CONFIGURATION	13	UNMUTE RADIOS.....	30
UNMUTE RADIOS	15	DIAGNOSTICS.....	31
TCS CONFIRMATION	16	APPENDIX A: DC DEFENDER INSTALLATION (1101-1110-KT)	32
PHYSICAL INSTALLATION	18	PREPARATION	32
		TOOLS	32
		HARDWARE	32
		SPECIFICATIONS FOR TRANSTECTOR DC DEFENDER 48-5	32
		DC CABLE ASSEMBLY	33
		DC DEFENDER 48-5ASSEMBLY	33
		DC DEFENDER 48-5 INSTALLATION	34
		GROUNDING	34
		WALL MOUNT	34
		POLE MOUNT.....	34
		APPENDIX B: DC DEFENDER INSTALLATION (1101-1027-2)	35

PREPARATION	35
TOOLS	35
HARDWARE	35
SPECIFICATIONS FOR TRANSECTOR DC DEFENDER DCOD 48-5	35
DC CABLE ASSEMBLY	36
DC DEFENDER DCOD 48-5 ASSEMBLY	37
DC DEFENDER DCOD 48-5 INSTALLATION	38
POLE MOUNT	38
APPENDIX C: CBRS INSTALLATIONS	39
USER PROFILE	39
SAS CONFIGURATION	40
CBRS BN INSTALLATION (WEB UI)	40
BN VERIFICATION IN TCS	43
SUPPLIER'S DECLARATION OF CONFORMITY (5GHZ)	44
SUPPLIER'S DECLARATION OF CONFORMITY (CBRS)	45
REGULATORY INFORMATION	46
DEPLOYMENT IN THE US — FCC STATEMENT	46
DEPLOYMENT IN CANADA — INDUSTRY CANADA STATEMENTS	46
RESOLUTION 680: BRAZIL	48
USA CBRS BAND CATEGORY B DEVICE	49
CBSD PROTOCOL	49
WARRANTY	51

Note: Please download the latest version of this document at:

www.taranawireless.com/bn_manual

For other documentation and videos, see:

<https://taranawireless.zendesk.com/hc/en-us/sections/1500001232962-FAQ-Troubleshooting-Guides>

This guide supports the current BN models on the market:

BN 5GHz	G1-BN5ASI002
BN CBRS (Cat B)	G1-BN3ASI001

Safety and Warnings

Tarana G1 equipment is designed for installation and use by trained professionals and requires adherence to all relevant regulatory, safety, and telecom industry best practice guidelines for outdoor radios.

requirement, the operator must be at a distance of 37.8 in or 96 cm away from the radome cover of the system.

General Warnings

Failure to observe these safety precautions may result in personal injury or damage to equipment.

- Follow all warnings and instructions marked on this product.
- Use standard safety guidelines when mounting. Installation and maintenance procedures must be followed and performed by trained personnel only.
- Before unmounting the product, disconnect power input to reduce the risk of hazards.
- Do not exceed 60 VDC of input to the device.
- Do not open the device. Opening the device voids the warranty.
- Do not stack anything on the radome.
- Dust covers must be installed on all connectors when not in use.
- Cable ends must be protected from weather if not connected to the device.
- When the SPF+ port is used, this is a Class 1 laser product. Invisible laser radiation can be emitted from the aperture of the port when no fiber is connected; therefore, avoid exposure to laser radiation and do not stare into open apertures.

FCC Information

The FCC occupational controlled limit for maximum permissible exposure (MPE) is 5 mW/cm². It is estimated that the maximum power density at the radome is 1.25 mW/cm², which is below the FCC MPE limit. Since the power density for an occupational controlled environment is less than the FCC limit, no additional precautions are necessary. The occupational uncontrolled environment limit for maximum permissible exposure (MPE) is 1 mW/cm². To meet this MPE

General Health and Safety Information

Topic	Explanation
Flammability	The equipment is designed and constructed to minimize the risk of smoke and fumes during a fire.
Hazardous Materials	No hazardous materials are used in the construction of this equipment.
Hazardous Voltage	The G1 system meets global product safety requirements for safety extra-low voltage (SELV) rated equipment.
Safety Signs	Surface temperature and heavy equipment warning signs are required on this equipment.
Surface Temperatures	The external equipment surfaces become warm during operation, due to heat dissipation. The temperatures reached are considered hazardous.



WARNING! HEAVY EQUIPMENT. SEE INSTALLATION INSTRUCTIONS BEFORE LIFTING.

The Tarana BN weighs ~20 kg (~42 lbs.).

Use proper lifting techniques for lifting heavy equipment. Be sure to follow all established local practices and safety precautions when hoisting the equipment.

Keep knees bent, back as straight as possible, and the load close to the body.

The maximum load on the BN's lift eye is 45 kg (100 lbs).



Health and Safety Warning

All personnel must comply with the relevant health and safety practices when working on or around the G1 radio equipment.

The G1 system has been designed to meet relevant US and European health and safety standards as outlined in IEC Publication 62368-1, 2nd edition. The BN is certified to IEC 62368-1 Third edition.

Local safety regulations must be used if required. Safety instructions in this section should be used in addition to the local safety regulations. In the case of conflict between safety instructions stated herein and those indicated in local regulations, mandatory local norms will prevail. Should local regulations not be mandatory, then safety norms herein will prevail.

Warning Labels

WARRANTY VOID

DO NOT BREAK THE TAMPER SEALS ON HARDWARE. DOING SO WILL VOID THE WARRANTY.

WARNING

Making adjustments and/or modifications to this equipment that are not in accordance with the provisions of this Installation Guide, User Guide, or other supplementary documentation may result in personal injury or damage to the equipment, and may void the equipment warranty.

AVERTISSEMENT

Tout réglage ou modification faits à cet équipement hors du cadre édicté par ce guide d'utilisation ou par toute autre documentation supplémentaire pourraient causer des blessures ou endommager l'équipement et peut entraîner l'annulation de sa garantie.

WARNUNG

Die an diesen Geräten gemachte Einstellungen und/oder Änderungen, welche nicht gemäß dieser Bedienungsanleitung, oder gemäß anderen zusätzlichen Anleitungen, ausgeführt werden, können Verletzungen oder Materialschäden zur Folge haben und eventuell die Garantie ungültig machen.

ATENCIÓN

Llevar a cabo ajustamientos y/o modificaciones a este equipo, sin seguir las instrucciones provistas por este manual u otro documento adicional, podría resultar en lesiones a su persona o daños al equipo, y anular la garantía de este último.

警告

對本设备进行不符合本用户指南，安装手册，或其他补充文件规定的调整和/或修改可能會导致人身伤害或设备损坏, 并可能导致失去设备的保修。

General Hazards

Topic	Explanation
Chassis Earthing	The BN chassis earth must be connected directly to the DC supply system earthing conductor, or to a bonding jumper from an earthing terminal bar, or bus to which the DC supply system earthing is connected.
Protection from RF Exposure	When installing, servicing or inspecting an antenna always comply with the following: <ul style="list-style-type: none">• Locate the antenna such that it does not infringe the RF Exposure Limit Distance, relating to the Compliance Boundary General Public.• Stay aware of the potential risk of RF exposure and take appropriate precautions.• Do not stand in front of or look into an antenna without first ensuring the associated transmitter or transmitters are switched off.• At a multi-antenna site ask the site owner or operator for details of other radio services active at the site and for their requirements/recommendations for protection against potentially harmful exposure to RF radiation.• When it is not possible to switch transmitters off at a multi-antenna site and there is potential for exposure to harmful levels of RF radiation, wear a protective suit.
Fiber Optic Cables	<ul style="list-style-type: none">• Handle optical fibers with care. Keep them in a safe and secure location during installation.• Do not attempt to bend them beyond their minimum bending radius.• Protect/cover unconnected optical fiber connectors with dust caps.
Grounding Connections	<ul style="list-style-type: none">• Reliable grounding of the BN chassis must be maintained.
Mains Power Supply Routing	<ul style="list-style-type: none">• BN DC power is not to be routed with any AC mains power lines. They are also to be kept away from any power lines which cross them.
Maximum Ambient Temperature	<ul style="list-style-type: none">• The maximum ambient temperature for the BN product is 55 degrees C. To ensure correct operation and to maximize long term component reliability, ambient temperatures must not be exceeded. Operational specification compliance is not guaranteed for higher ambients. The BN should be mounted in such a way as to permit the vertical free flow of air through its cooling fins.
Mechanical Loading	<ul style="list-style-type: none">• When installing the BN on a tower, ensure that the tower is securely anchored. Ensure that the additional loading of devices will not cause any reduction in the mechanical stability of the tower.
Power Supply Connection	<ul style="list-style-type: none">• The BN operates from a nominal -48 VDC power supply.
Power Supply Disconnect	<ul style="list-style-type: none">• An appropriate power supply disconnect device should be provided as part of the installation.
Rack Mount Temperature Considerations	<ul style="list-style-type: none">• The BN is designed to operate in an outdoor environment with no significant obstructions in front of the radome. Do not install G1 in a closed or multi-unit rack assembly, because such a closed rack would impede the propagation of the RF signals. The maximum ambient temperature applies to the immediate operating environment of the G1 product.

BN Homologation Country List

G1-BN5ASI002/G1BN5ASI002

- Australia (ACMA)
- Barbados (MIST)
- Brazil (Anatel)
- Canada ISED (RSS-247)
- Colombia (CRC)
- Costa Rica (SUTEL)
- Ghana (NCA)
- Mexico (NOM-019 and NOM-208 IFETEL)
- Nigeria (NCC)
- Namibia (CRAN)
- Philippines (NTC)
- South Africa (ICASA)
- Uganda (UCC)
- USA FCC (Part 15E)

Preparation

Important: Tarana recommends that the BN be powered and get an initial configuration prior to being mounted on the tower.

Use the following checklists to ensure you have all the required items before beginning a Tarana BN installation. Verify the contents of the Tarana supplied hardware.

Tools

- 13mm combination wrench
- Torque wrench
- T30 Torx driver
- Crimping tool (6 AWG)

Customer Supplied Equipment

- Power cable – a 2-wire outdoor rated cable of suitable size for the cable run, or as per local code
- Ground wire (6 AWG)
- Ethernet cable - shielded CAT5e/CAT6
- PC laptop with admin rights

Tarana Hardware and Peripherals

- AC power supply (optional)
- Harting DC pigtail
- Harting optical cable
- Harting RJ45 cable
- [Lightning and surge protection devices](#)
- BN radio unit (16.4 x 21 x 4.6 in; 41.7 x 53.3 x 11.6 cm)
- BN mounting kit

BN Mounting Kit Contents:

- (4) M8 bolts: 1.25 x 120 mm
- (4) M8 bolts: 1.25 x 80 mm
- (4) M8 bolts: 1.25 x 25 mm
- (4) M-8 nuts: 1.25
- (8) M-8 washer, wedge-lock
- (1) BN-pole-mount bracket assembly

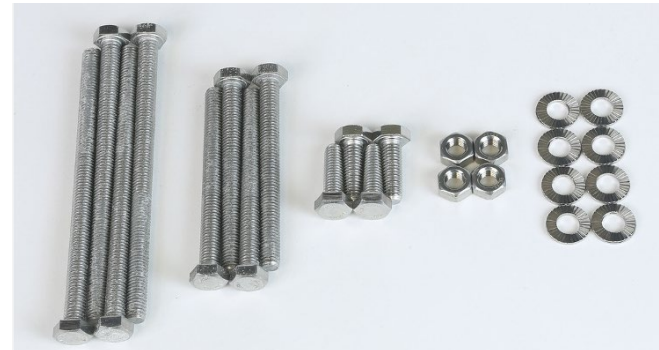


Figure 1: BN Mounting Kit Contents

Surge Protectors:

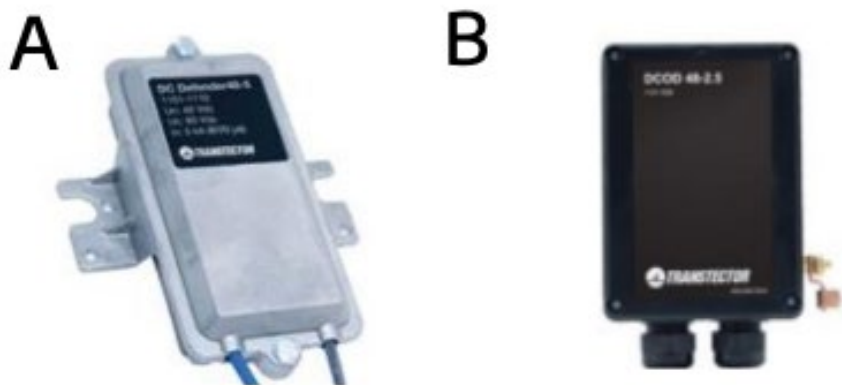
Two models of DC Defender surge protectors are available.

Model 1101-1027-KT (item B) should be used when the cable size used to power the BN is larger than 10AWG.

A. DC Defender (DC Surge Protector) w/Mounting Kit: 1101-1110-KT

B. DC Defender (DC Surge Protector): 1101-1027-2

Pole Mount Kit: 1000-1702



See [Appendix A](#) for instructions on installing the DC Defender surge protector 1101-1110-KT and [Appendix B](#) for the DC Defender surge protector 1101-1027-2.

It is recommended that all power and surge protector cables be assembled and tested in the lab prior to installation in the field.

Powering the BN

Important: Tarana recommends that the BN be powered and get an initial configuration prior to being mounted on the tower.

The BN requires power and a connection on a data port for Tarana Cloud Suite (TCS) operation. The voltage required is -48 VDC supplied on the Harting power connector through the power port only. Power options are to provide -48VDC from the site or -48VDC from the Tarana AC/DC outdoor-rated power adaptor using AC power from the site. Regardless, the DC power cable must be terminated with a Harting Push-Pull, quick-disconnect, IP67 rated connector, with pinouts as follows:

Pin 1 is +48V compared to pin 4, or pin 4 is -48V compared to pin 1. Pin 1 and pin 4 are isolated from the chassis ground, while pin 3 is connected to the chassis ground inside the device. Pin 1 of the Harting connector must be connected to the higher potential conductor of the BN power supply.

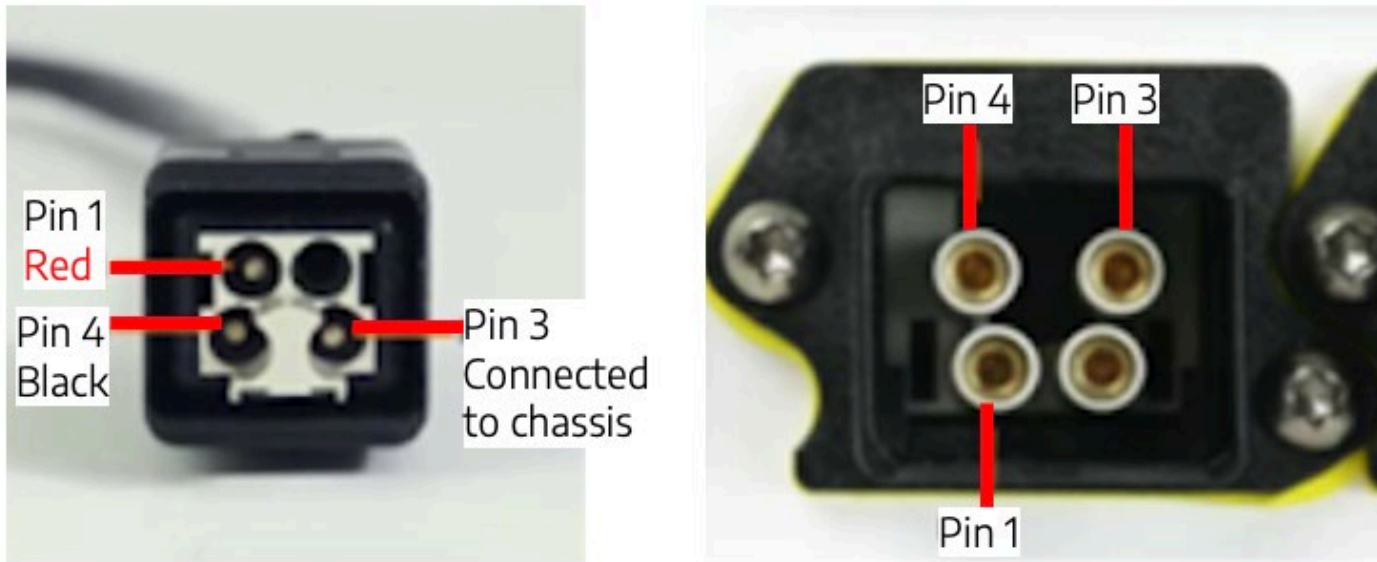


Figure 2: Power Connector Cable View and Chassis View

To turn on the unit, simply apply power. The typical power draw is 275W. The max power draw is ~330W.

Initial Configuration

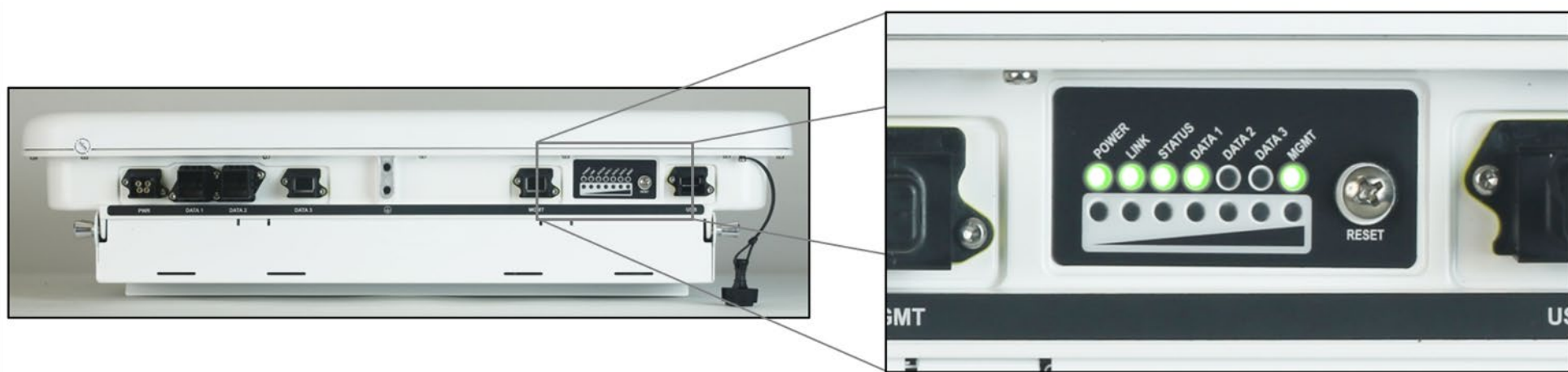
For initial configuration, use a Harting Push-Pull Ethernet cable assembly plugged into the MGMT port on the BN.

Note: Using a standard Ethernet cable in this port will make removing the cable difficult and *could damage the port*.

Harting Ethernet cable assemblies for this purpose are available through Tarana.

Upon receiving power, the BN will undergo the booting and initialization process for a period of 5-7 minutes. There are a set of LEDs on the bottom edge of the BN that will cycle through patterns and colors during this time.

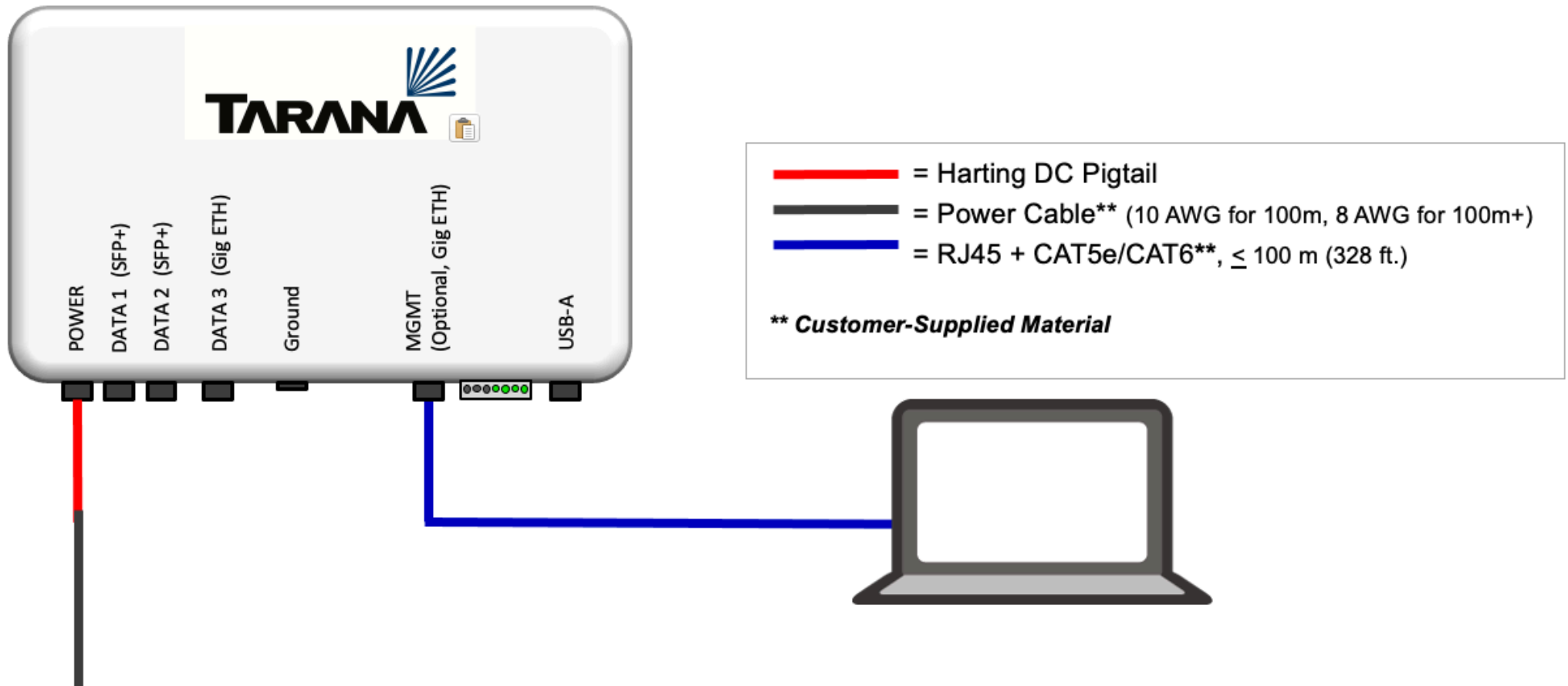
For more information about LED behavior in G1 products, see the [G1 Administrator's Guide](#).



DATA1 and DATA2 are optical SFP+ interfaces. Devices connected to these data ports must support SFP+ (10Gbps) or the ports will not come up. Tarana offers an industrial-temperature SFP+ module for data connection at the BN on the tower. This SFP+ module is MEF certified with an extended temperature range of -40° to +85°C. DATA3 is a copper interface and only supports 1Gbps. Devices connected to DATA3 must be Gigabit Ethernet or the port will not come up.

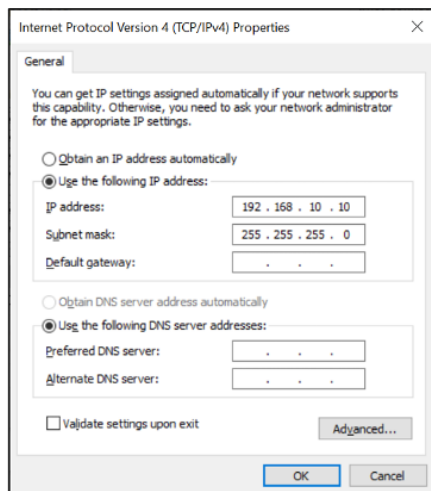
Note: Only one of the three data ports can be active at a time.

The BN communicates to TCS through one of the data ports. The MGMT port is for initial configuration. Optionally this port can be used for on-site management, also called Out of Band (OOB) management.



Accessing the MGMT Port

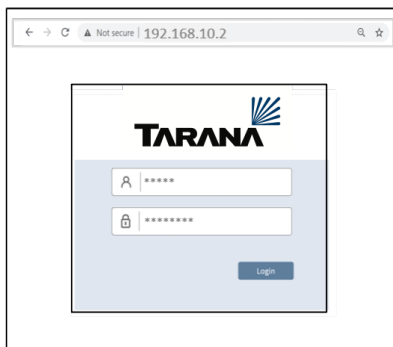
- Step 1. Connect a laptop to the MGMT Gigabit Ethernet port of the BN.
- Step 2. On the laptop, assign a static IP address in the same subnet as the default IP of the MGMT port. The example below uses **192.168.10.10** with a subnet mask of 255.255.255.0.



- Step 3. The MGMT port has a default IP of 192.168.10.2 with no VLAN. Type `https://192.168.10.2` into a web browser to access the BN's web interface.

Note: Chrome is the recommended and supported browser.

- Step 4. Enter the default login and password of “**admin**” and “**admin123**”, respectively. This will bring up the BN's web interface.



A management IP can also be assigned statically or by a DHCP server if there is a DHCP server on the network.

DHCP is not enabled by default and must be enabled through the BN's web UI. DHCP cannot be enabled for both the in-band management and out of band management interfaces.

Configuration

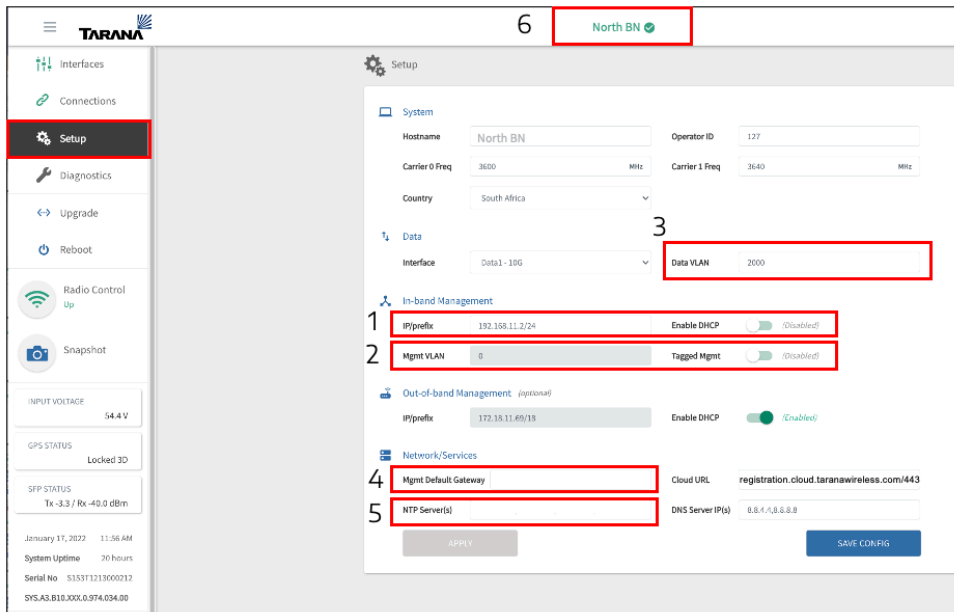
Note: The following is for the 5GHz BN. For CBRS BN configuration, see [Appendix C: CBRS Installations](#).

From the BN's web UI the following information needs to be configured:

- Step 1. For in-band management (on one of the data ports), enter a static IP within the subnet of the LAN gateway or enable DHCP to have a DHCP server give the BN an IP address.
Note: If DHCP is enabled for the in-band management IP Address, it cannot be used for the out-of-band management address.
- Step 2. Configure a management VLAN on the data port (optional, but this is a good practice).
- Step 3. Configure the Data VLAN on the data port (required).
Note: The BN's data ports (DATA1, DATA2, DATA3) require ingressing and egressing data frames to be tagged (802.1q). By default, the BN will tag egressing data frames with VLAN 2000. Arriving frames sent from the network router to the BN's data port must therefore also be tagged with this VLAN number. The default Data VLAN can be changed via the BN's web UI, as seen in below. For more information about using VLANs in a G1 network, see the [G1 Administrator's Guide](#).
- Step 4. Enter the Mgmt Default IP gateway. This is the gateway for the in-band management IP address configured in Step 1.

Step 5. By default, the NTP Server is blank and not used because the BN uses GPS for synchronization. However, if needed for lab testing (when the BN does not have a view of the sky for GPS synchronization), configure an NTP server using an IP address or FQDN.

Step 6. Verify the connection to TCS by confirming the Hostname appears in green text at the top of the screen.



Important Notes:

1. The following information is reserved on the BN and may not be used as part of the configuration:
 - Reserved VLANs: 4092, 4093, and 4094
 - Reserved IP subnets: 172.27.0.0/18, 10.240.0.0/12
2. The Data VLAN (required) and the Management VLAN (optional) are on the data port and must be separate VLANs.
3. On the switch north of the BN, the IP subnet associated to the Data VLAN ingressing to the BN's data port must be different from the In-band Management IP subnet. For more information about VLANs in a G1 network, see the VLAN appendix in the [G1 Admin Guide](#).
4. Out-of-band management is optional. If used, it must use a different IP subnet as In-band management.
5. DHCP cannot be used for both In-band and Out-of-band management IP addresses.
6. The following IP ports must be open in order to allow the BN to reach TCS:
 - 443 (TCP for HTTPS)
 - 53 (UDP for DNS)
 - 123 (UDP for network time)
7. The web UI should not be used for configuration changes once the initial deployment has been completed. Configuration settings in TCS will overwrite web UI settings. To avoid confusion or incorrect settings being applied, use TCS for configuration once the device is registered and connected to TCS.

Unmute Radios

1. Click “Radio Control” → Up

Note: For safety, the radios are muted by default. After verifying functionality, *mute the radios again* until after the BN is installed on site.

2. Click Save Config.

The screenshot displays the Tarana Wireless management interface for a device named 'North BN'. The left sidebar contains navigation options: Interfaces, Connections, Setup (highlighted with a red box), Diagnostics, Upgrade, Reboot, Radio Control (highlighted with a red box and showing 'Up'), and Snapshot. The main content area is the 'Setup' page, which is divided into several sections:

- System:** Hostname (North BN), Operator ID (127), Carrier 0 Freq (3600 MHz), Carrier 1 Freq (3640 MHz), Country (South Africa).
- Data:** Interface (Data1-10G), Data VLAN (2000).
- In-band Management:** IP/prefix (192.168.11.2/24), Mgmt VLAN (0), Enable DHCP (Disabled), Tagged Mgmt (Disabled).
- Out-of-band Management (optional):** IP/prefix (172.18.11.0/18), Enable DHCP (Enabled).
- Network/Services:** Mgmt Default Gateway, NTP Server(s), DNS Server IP(s) (8.8.4.4, 8.8.8.8).

At the bottom of the Setup page, there are two buttons: 'APPLY' and 'SAVE CONFIG' (highlighted with a red box).

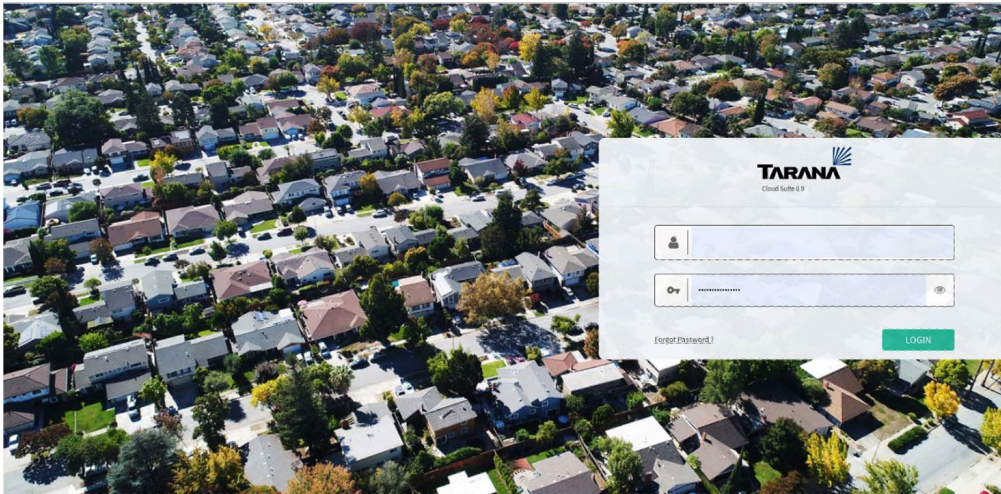
TCS Confirmation

To verify the BN is accessible from the Tarana Cloud Suite (TCS), use an Internet connection external to the BN.

Note: The BN communicates to TCS across Data Port 1, 2, or 3. One of those ports must be connected to the Internet for the BN to contact TCS. Remember that Data Ports 1 and 2 are 10 Gbps only. Data Port 3 is 1 Gbps only.

Step 1. Login to Tarana Cloud Suite (TCS) using the URL:
<https://portal.cloud.taranawireless.com>

For the username and password, contact your TCS system administrator.



Step 2. From the left column, click on Devices> List.

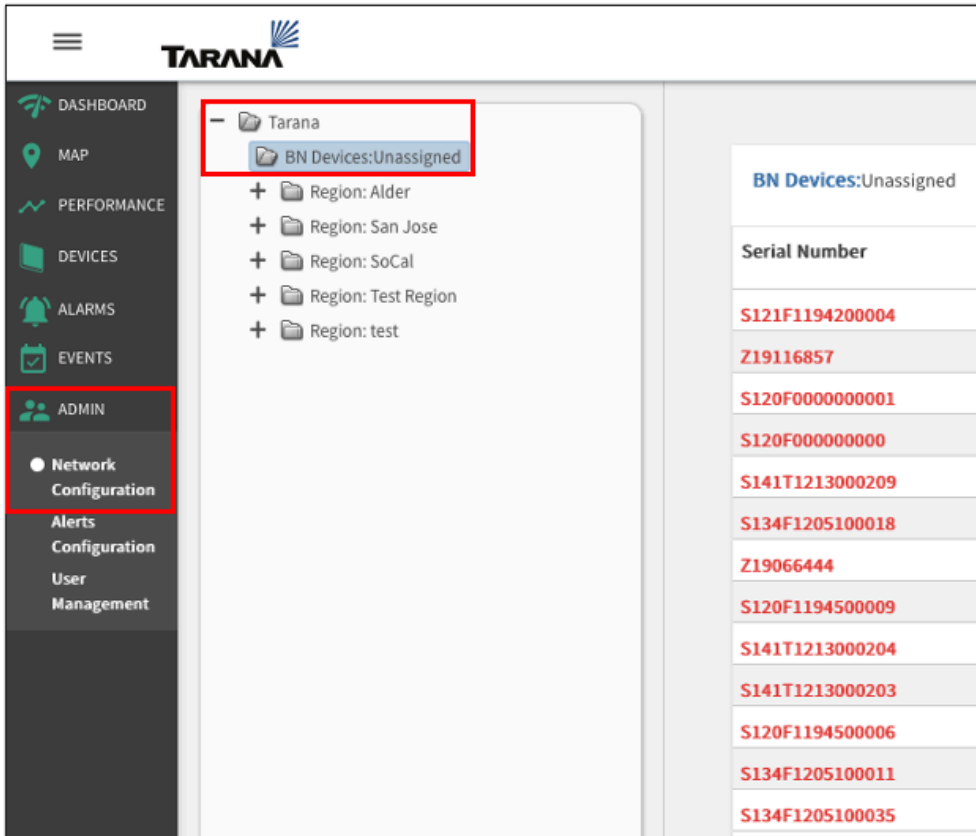
Step 3. Verify that “BN” is selected from the RN/BN switch.

Step 4. Finally, verify the BN is online as indicated by its Serial Number being in green text.

	Serial Number	Software Version	Mgmt VLAN	Location (Lat,Long)	Height (m)
<input type="checkbox"/>	S156F1212800...	0.977.009.00	0	37.413063,-121.913604	13.5
<input type="checkbox"/>	S153F1214600...	0.986.042.00	102	37.34856,-121.900039	85.2
<input type="checkbox"/>	S153F1214400...	0.975.003.00	0	37.411453,-121.916435	19.8
<input type="checkbox"/>	S141T1221300...	0.991.000.02	0	37.411399,-121.916435	46
<input type="checkbox"/>	S134F1205100...	0.986.044.00	20	0,0	0
<input type="checkbox"/>	S126F1203500...	0.975.003.00	0	37.411418,-121.916435	17.5
<input type="checkbox"/>	S126F1202200...	0.977.004.00	104	37.348289,-121.900421	71.4

Note: If the BN does not appear in the Devices> List page, it may not have been assigned to a Sector in TCS. Under Admin> Network Configuration, check if this BN is in the BN Devices: Unassigned folder. The BN must be assigned to a Sector before an RN will associate to it. A TCS user with OP Admin role rights is required for this step.

For more information on Network Configuration, see the [G1 Admin Guide](#).



Physical Installation

The BN mount is a saddle clamp that is adjustable in azimuth and tilt. The tilt should be set to zero degrees and the azimuth to the required direction.

Note: The hardware supplied for pole mounting and adjustment have a pre-applied anti-seize, dry film coating. There is no need to apply anti-seize lubricant to these fasteners.

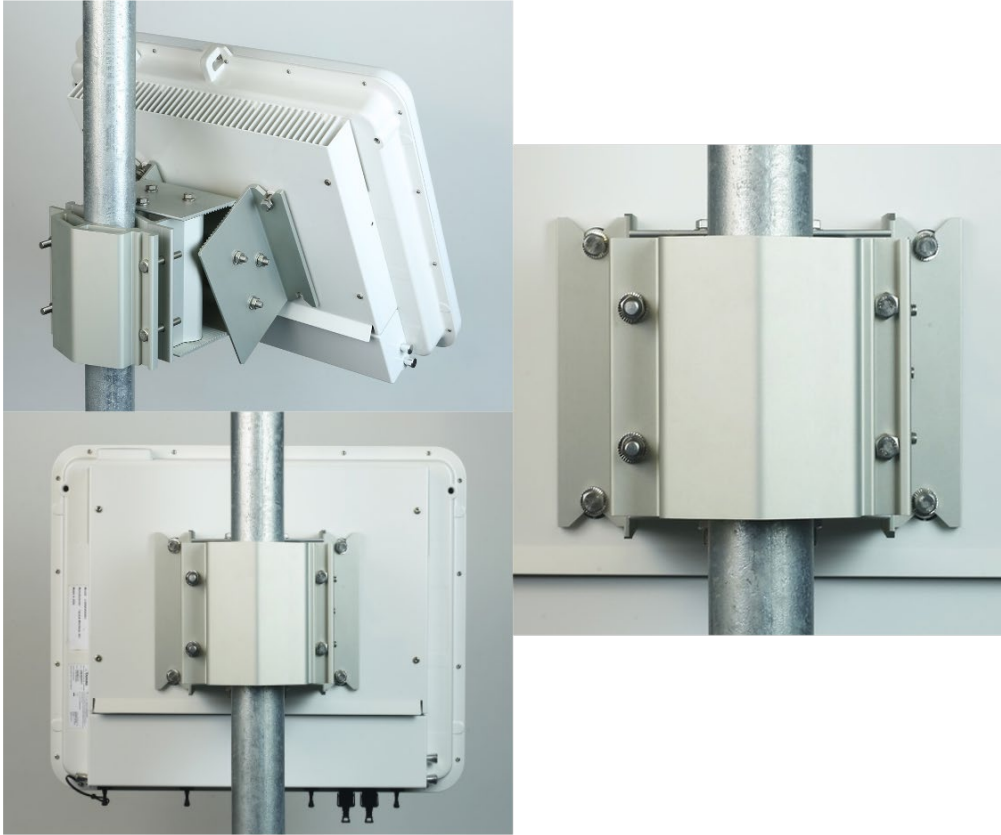
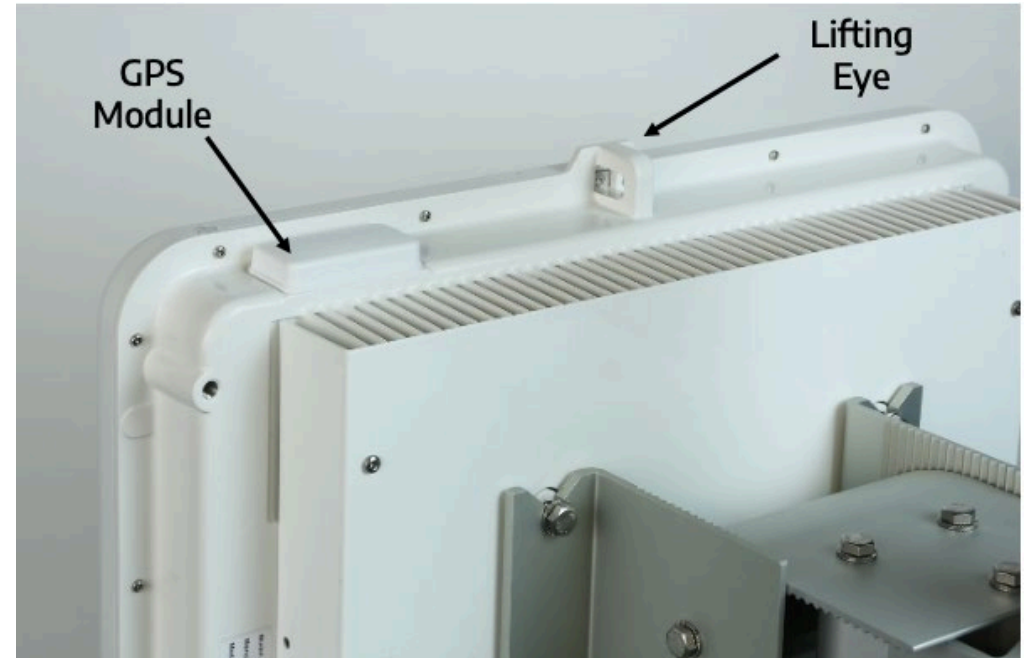


Figure 3: BN Mounting

Note: The GPS antenna mounted on the top of the BN should have a clear view of the sky to establish synchronization.

The maximum load on the lifting eye is 100 lbs. (45 Kg).



Mounting

BN Pole-Mount Bracket Assembly

Measure the pole diameter to determine which length of M8 bolt to use to hold the BN bracket to the pole.

Note: The pole diameter listed below is Outside Diameter (O.D.) and not Nominal Diameter (N.D.)

- Use (4) M8 1.25 x 80 mm bolts for poles 60.3 mm – 101.6 mm ($2\frac{3}{8}''$ – $3\frac{1}{2}''$).
- Use (4) M8 1.25 x 120 mm bolts for poles 101.6 mm – 127 mm ($3\frac{1}{2}''$ – $5''$).
 - Measure Pole Diameter (95mm in this example)



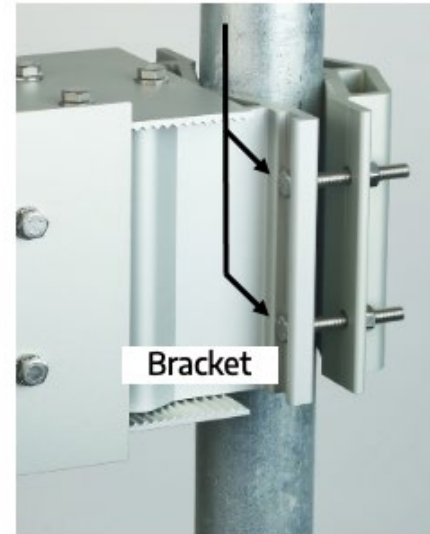
Figure 4: Measure Pole Diameter

Step 1. Install the BN bracket on the pole.
Note: There are slots for the bolt heads on both the bracket *and* the clamp.

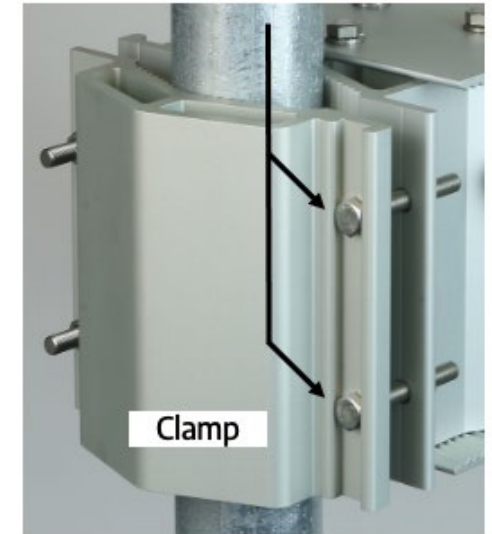
Step 2. Insert the bolts on the right side of the clamp and thread on the nuts.

Step 3. Insert the bolts on the right side of the bracket and thread on the nuts.

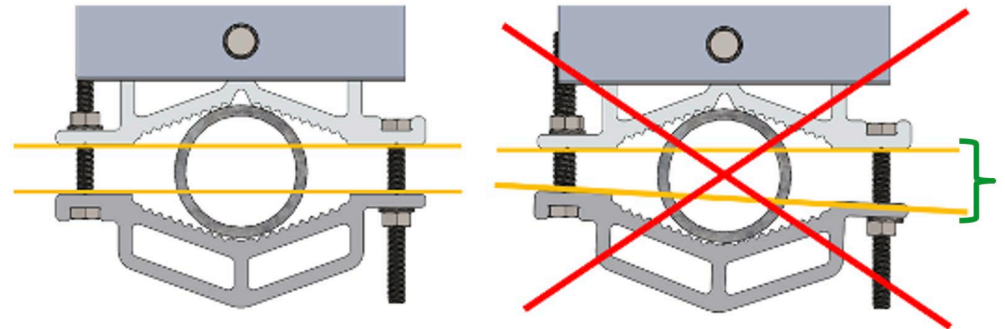
Slot for Bolt Heads



Slot for Bolt Heads



Step 4. Gradually engage (4) bolts ensuring clamp halves stay parallel to each other and are spaced evenly on either side of the clamp.



Step 5. With the clamp in the final position, torque 4 bolts with incremental steps at approximately 40%, 70%, and 100% of full torque rating while ensuring the brackets stay parallel.

- Following the torque sequence 1-2-3-4 shown below, torque all bolts to values of approximately 40% (6 N-m/ 4.4 lb.-ft).
- Continue with the same sequence for all bolts at approximately 70% (10 N-m/ 7.4 lb.-ft).
- Repeat the torque sequence for all bolts until each bolt is stabilized at 15 N-m/ 11 lb.-ft).

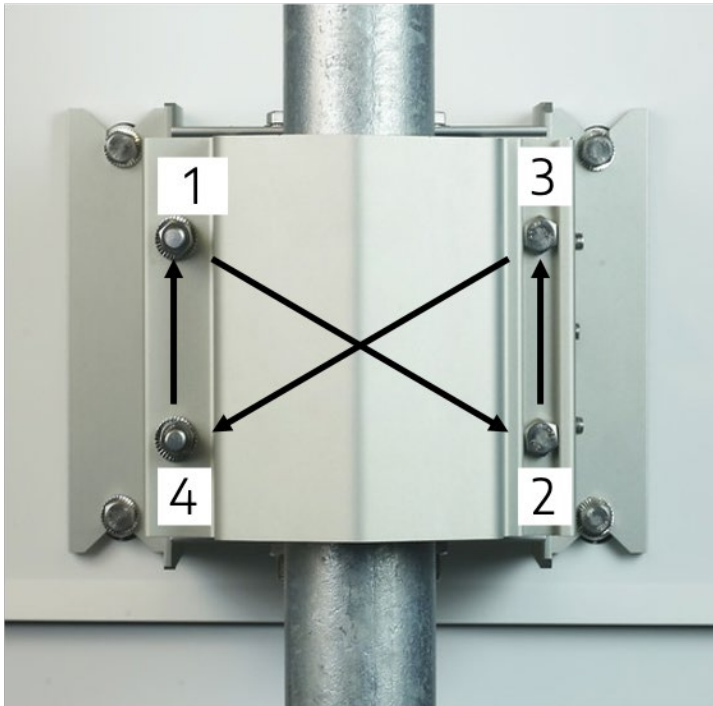


Figure 5: Torque Sequence

Mounting the Bracket Ears

When installing the BN bracket to the pole before attaching the BN to the bracket (recommended), register the tilt adjustment to the upper limit. This ensures that the flange ears where the BN will be attached are aligned properly. Snug the tilt-adjustment bolts enough to hold bracket ears firmly while mounting the BN.



Figure 6: Twisted Bracket Ears



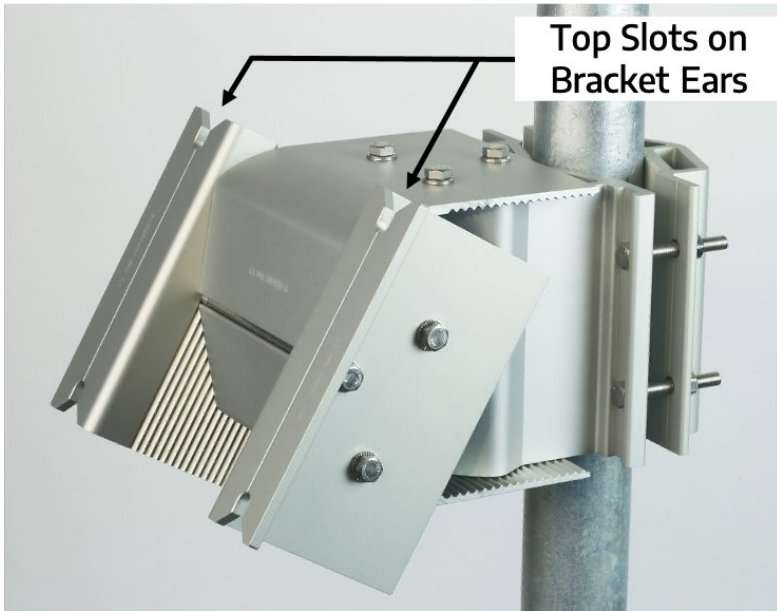
Figure 7: Aligned Ears in High-Tilt Position

Mounting the BN to the Bracket

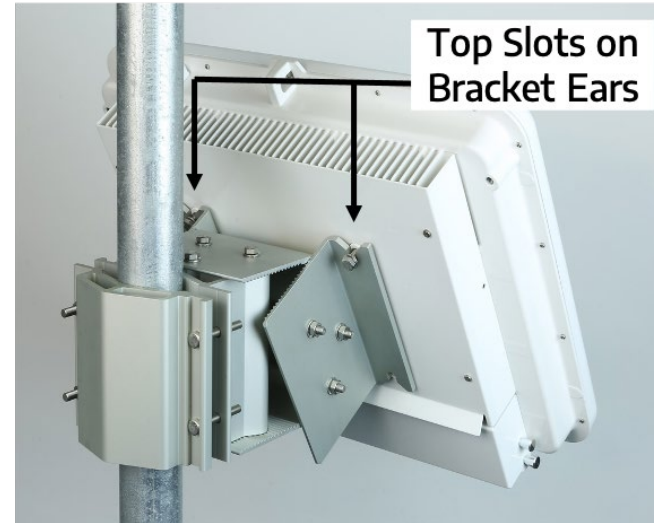
Step 1. Install 2 M8 x 25mm bolts with wedge lock washers in the top holes on the back of the BN as shown below. Partially thread the bolts into the chassis halfway (~12mm). This will provide a sufficient gap for the bolt heads and washer to slide into the top slots on the bracket ears.



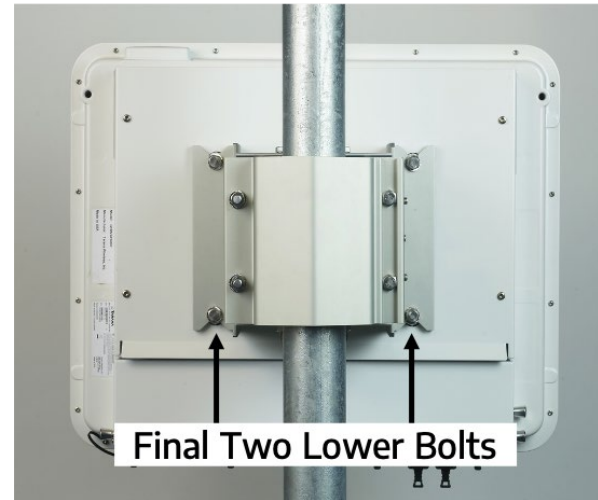
The BN must be slid into the top slots on the bracket ears using these two bolts.



Step 2. Slide the BN into the top slots in the bracket ears using the partially-installed bolts from Step 1. Ensure that the wedge lock washers are on the outside of the bracket and *not* between the BN and the bracket.

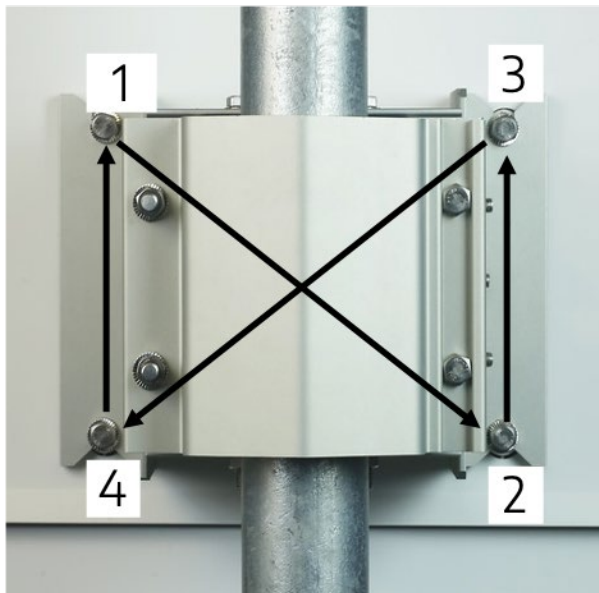


Step 3. Install 2 M8 x 25 mm bolts with wedge lock washers in the two remaining lower slots on the bracket ears. Ensure that the wedge lock washers are on the outside of the bracket and **NOT** between the BN and the bracket.



Step 4. Torque all 4 of these bolts using the same torque sequence demonstrated earlier.

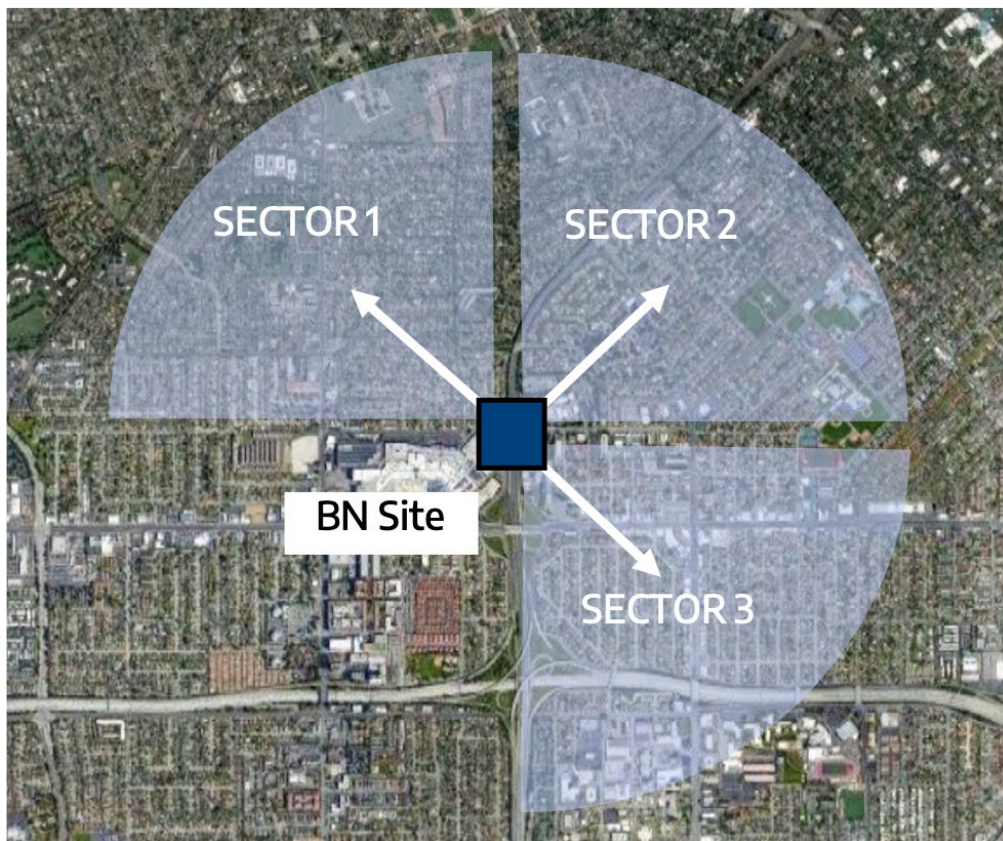
- With the clamp in the final position, torque the 4 bolts with incremental steps at approximately 40%, 70%, and 100% of full torque rating.
- Following the torque sequence shown, torque all bolts to values of approximately 40% (6 N-m/ 4.4 lb.-ft).
- Continue with the same sequence for all bolts at approximately 70% (10 N-m/ 7.4 lb.-ft).
- Repeat the torque sequence for all bolts until each bolt is stabilized at 15 N-m/ 11 lb.-ft.



Antenna Aiming

The BN has a 90-degree field of view. The azimuth should be adjusted as appropriate to the network design.

Note: The azimuth must be set and torqued before the tilt. If done in reverse, there is a good chance that the torque setting for the tilt will not be accurate. This can cause the mount to lose tilt adjustment after some temperature cycles or vibration. In turn, this will cause a tower climb and/or service disruptions.



Adjusting the Azimuth

Step 1. Adjust the azimuth by loosening 3 bolts on top of the bracket assembly as seen below. Torque the 3 M8 x 180mm in a gradual triangular pattern.

Note: The total adjustable azimuth is 60 degrees.

- Following a clockwise torque sequence, torque all bolts to values of approximately 40% (6 N-m/ 4.4 lb.-ft).
- Continue with the same sequence for all bolts at approximately 70% (10 N-m/ 7.4 lb.-ft).
- Repeat the torque sequence for all bolts until each bolt is stabilized at 15 N-m/ 11 lb.-ft.



Adjusting the Tilt

Adjust the tilt only after the azimuth has been adjusted.

Step 1. Adjust the tilt to the desired angle using a digital level with < 0.2-deg accuracy.



Step 2. Torque the 3 M8 x 180mm in a gradual triangular pattern.

Note: The total adjustable tilt is ± 20 degrees.

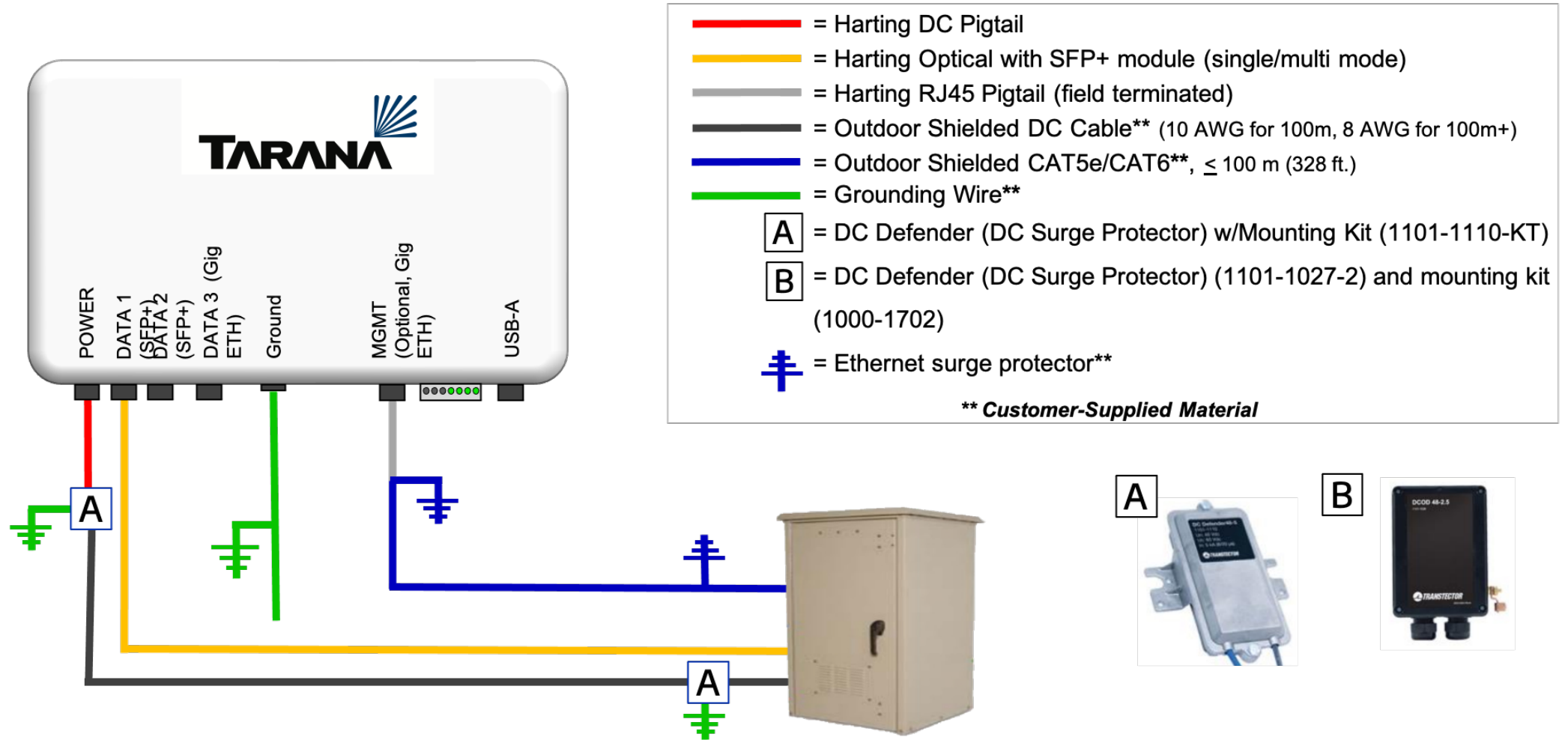
- Torque the bolts in a clockwise pattern.
- Torque all bolts to values of approximately 40% (6 N-m/ 4.4 lb.-ft).
- Continue with the same sequence for all bolts at approximately 70% (10 N-m/ 7.4 lb.-ft).
- Repeat the torque sequence for all bolts until each bolt is stabilized at 15 N-m/ 11 lb.-ft.



Power and Connections

Power

The BN requires power and a data connection for operation. All connectors are from the Harting push/pull connector family and are IP67-compliant. The voltage required is -48 VDC supplied on the Harting power connector.



Note: "B" will replace all instances of "A" when the cable size used to power the BN is larger than 10 AWG.

Electrical Grounding

Electrical grounding is done with the 3rd wire on an electrical cable and connected straight to ground before entering the power distribution outlet. This protects equipment from electrical surges and a possible overload in the case of a circuit malfunction. The presence of a “ground” wire increases the degree of electrical safety for anyone using an electrical device. In the case of tower/outdoor installations, the power cable is subject to lightning strikes and must be connected to additional grounding at the upper and lower ends of the power cable.

Electrical grounding **must be done** to the same grounding system both at the top and bottom of the tower using the DC Defender grounding system or equivalent.

Tarana’s DC electrical ground for the BN is the DC Defender 1101-1110 or DC Defender 1101-1027-2. The model used depends entirely on the gauge of the power cable.

Use the DC Defender (DC Surge Protector) w/Mounting Kit (1101-1110-KT) when the cable size used to power BN is 10AWG or smaller.

For more information about installing the DC Defender units, see [Appendix A](#) and [Appendix B](#) in this document. For more information about chassis, electrical, and Ethernet grounding, see the [Grounding Best Practices Guide](#).

Ethernet Grounding

Any data cables, with the exception of fiber, must be grounded before they enter a structure. The BN should always utilize fiber for Ethernet connectivity instead of the copper port. In addition to providing a 10 Gbps connection, using the fiber port eliminates the need for grounding the copper data port. If a copper cable is used on the BN, and for all RN deployments, the data cable grounding system must be tied into the grounding system on site as described above.

For any deployments utilizing copper, the cable used should always be a shielded cable comparable to the TRD695AHF-7 from L-Com.

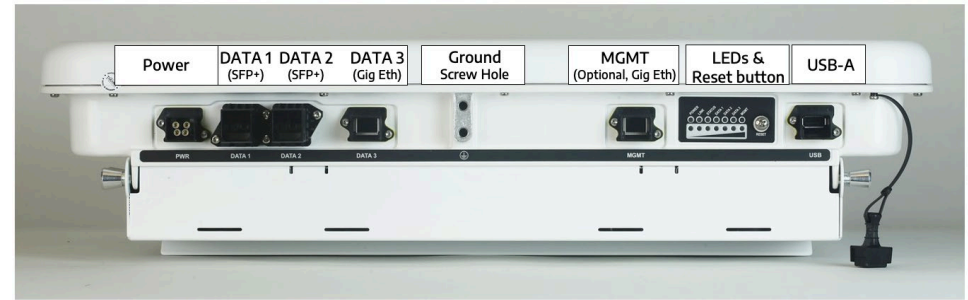
Tarana’s standard Ethernet grounding is the Microsemi PD-OUT/SP11.

Physical Connections

There are three options for a data connection: two SFP+ ports (DATA 1, DATA 2), and one Gbps Ethernet port (DATA 3). For in band management, the default IP address for these ports is 192.168.11.2. The default data VLAN is 2000.

For initial configuration and (optional) OOB management, an Ethernet connection on the MGMT port is required. The default IP address for this port is 192.168.10.2 with no VLAN.

Note: At this time, the Reset button should not be used.



Physical Connection Sequence

It is recommended that the physical connections be installed to the BN *after* the BN is properly mounted and aimed and that the following steps be performed in the order described. Please refer to the diagram on the previous page when going through these steps.

- Step 1. Pre-assemble the Harting DC pigtail + upper lightning arrester with attached ground wire + Belden 5240F1 or equivalent + lower lightning arrester. It is recommended that these items be assembled and lab-tested before installation onto the BN mounting site.
- Step 2. Install the ground wire (6 AWG) onto BN enclosure.
- Step 3. Install the Harting DC pigtail assembly into the power port.
- Step 4. The LEDs on the bottom side of BN can be used to verify operation (see the “Booting” section of this document)

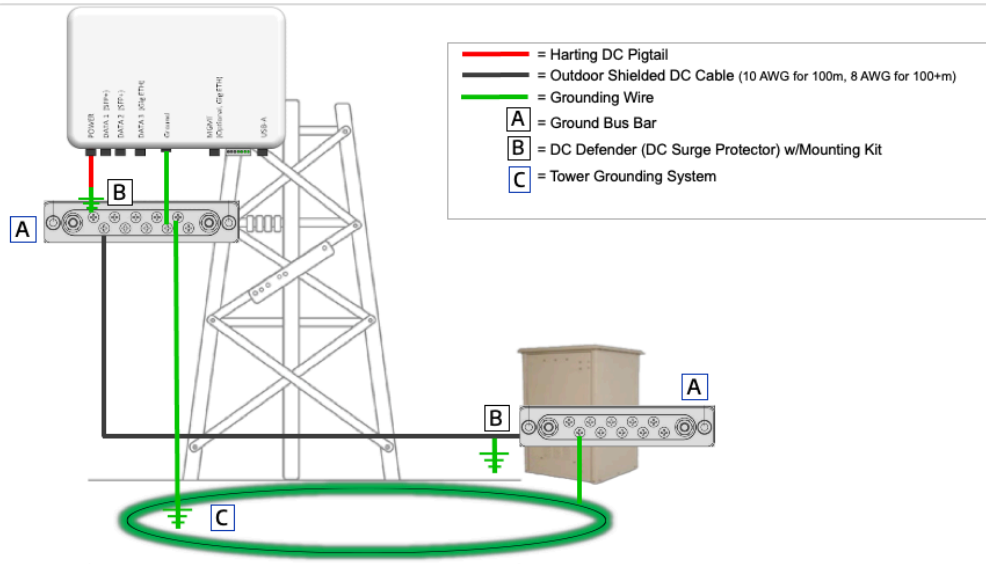
Note: For on-site OOB management, follow these additional steps:

- Step 5. Pre-assemble the Harting RJ45 pigtail + upper lightning arrester + ground wire+ shielded CAT5e/CAT6 + lower lightning arrester for out-of-band management connection. It is recommended that these items be assembled and lab-tested before installation onto the BN mounting site.
- Step 6. Install the Harting RJ45 pigtail assembly into MGMT Gigabit Ethernet of the BN for out-of-band management.

Chassis Grounding

In addition to the electrical grounding discussed earlier, the BN requires chassis grounding. Chassis grounding is done with a grounding wire attached to the grounding lug of a G1 node that is then attached to the tower grounding system. The circuit is physically connected to the ground, which has zero-volt potential to the ground (earth). This will protect the installed BN from non-direct lightning strikes and provide a pathway to ground for excessive voltage.

Note: Both electrical grounding and chassis ground are always required for G1 operation.



Step 1. Attach the ground system to the chassis. There are 2 stainless M6 screws and ground lug provided in a bag taped to the BN radome. These are used for attaching a 6 AWG (13 mm²) ground wire to the BN.

Step 2. The ground lug for the BN is provided and must be used. Torque the screw to 6 N-m (4.5 lb.-ft). The ground wire should not limit the adjustment of the antenna.

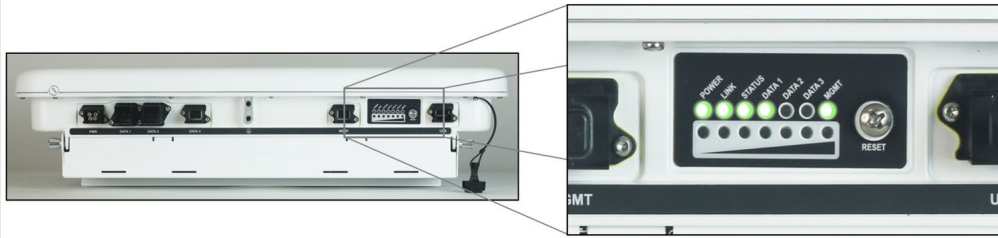
Note: Install the ground wire only after aiming and final torque of all related fasteners.

Additional local electrical codes and ordinances may apply to grounding. Compliance in this area is the responsibility of the installation company.



Booting

Upon receiving power, the BN will undergo the booting and initializing process for a period of 5-7 minutes. There are a set of LEDs on the bottom edge of the BN that will cycle through patterns and colors during this time.



At the end of this period, the LEDs will settle into one of a few common states as described below.

LED INDICATOR	LED BEHAVIOR	DESCRIPTION
POWER	●	The LED is solid green: The system is powered.
LINK	●	The LED is solid green: The BN has established an RF link to at least one RN.
STATUS	●	The LED is solid green: The system has booted successfully.
DATA	☀	The LED will blink occasionally at random intervals: This confirms a data connection (DATA 1, 2 or 3.)
MGMT	●	The LED is solid green: This confirms a connection on the MGMT port.

For more information about LED behavior on G1 products, see the [G1 Admin Guide](#).

Management Paths BN Web UI

Note: The preferred and support browser is Chrome.

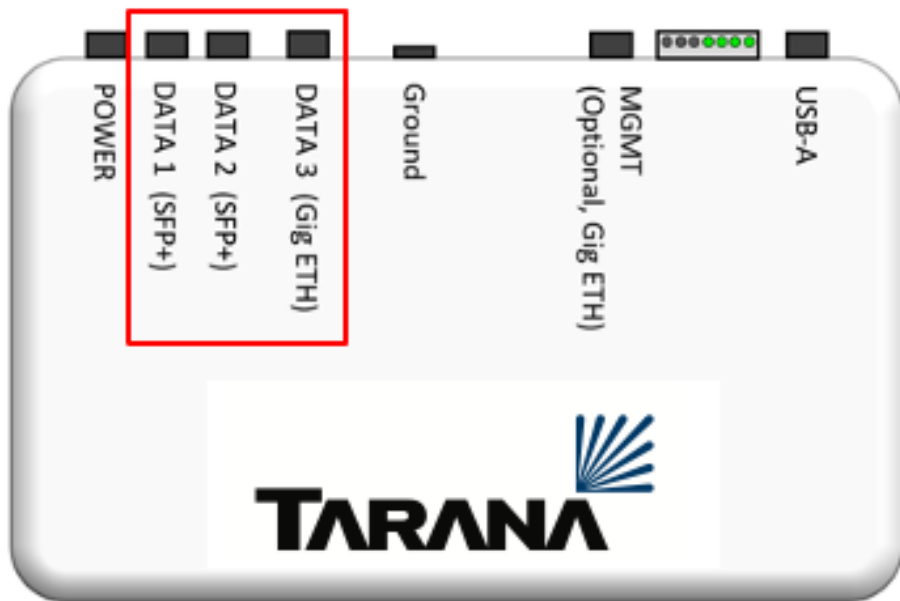
In-Band Management

In-band Management refers to managing the BN via the physical data ports (DATA 1, DATA 2, DATA 3). The BN's web UI can be accessed by using the default in-band management IP of **192.168.11.2** into a browser window.

<https://192.168.11.2>

An in-band management IP address can also be assigned statically or by a DHCP server if there is a DHCP server on the network. DHCP is disabled by default and must be enabled through the web UI. If DHCP is used for the in-band management IP address, a static address must be used for the out-of-band management address (if used).

It is optional to assign in-band management traffic to a VLAN.

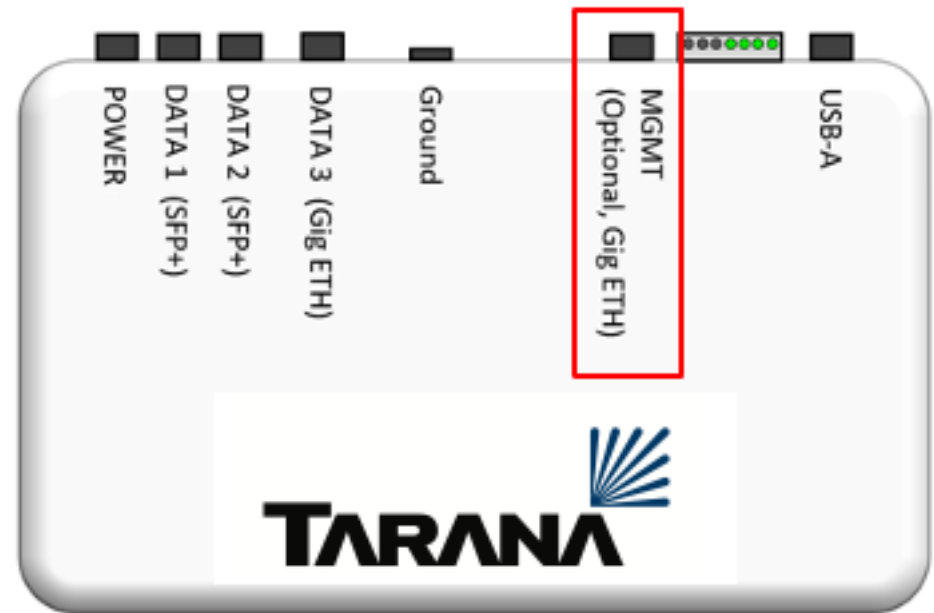


Out-of-Band Management

Out-of-band (OOB) Management refers to managing the BN via the physical MGMT port. The BN's web UI can be accessed by using the default OOB IP of **192.168.10.2** into a browser window.

<https://192.168.10.2>

An OOB management IP can also be assigned statically, or by a DHCP server if there is a DHCP server on the network. DHCP is disabled by default and must be enabled through the web UI. If DHCP is used for the out-of-band management IP address, a static address must be used for the in-band management address (if used).

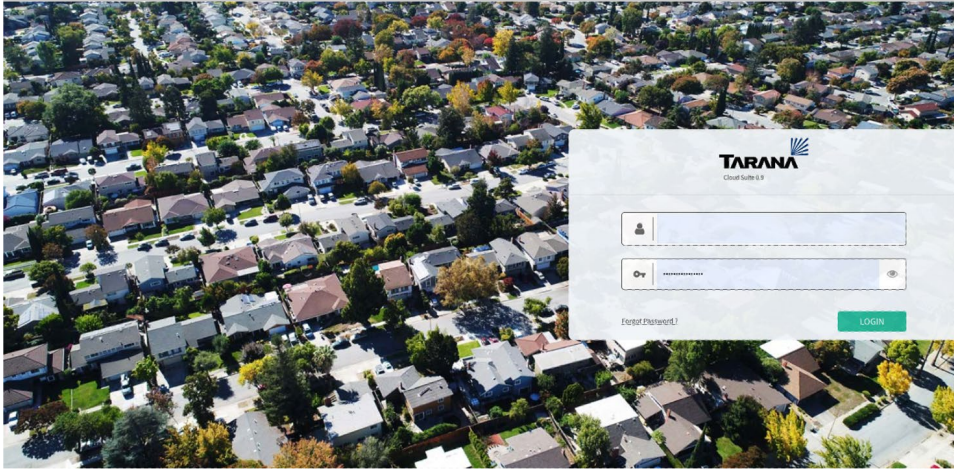


TCS Confirmation

To verify the BN is accessible from Tarana Cloud Suite (TCS), use an Internet connection external to the BN. **Note:** This can be done from the NOC.

Step 1. Login to Tarana Cloud Suite (TCS) using the URL: cloud.taranawireless.com

For username and password, contact TCS system administrator.



Step 2. From the Navigation Pane, select Devices: List.

Step 3. Verify that “BN” is selected on the RN/BN toggle.

Step 4. Verify the BN is online as indicated by its serial number being in green text.

	Serial Nu...	Height (m)	Azimuth (deg)	Tilt (deg)
<input type="checkbox"/>	S141F...	259.9	0	-2.3
<input type="checkbox"/>	S141F...	449	180	-1.1
<input type="checkbox"/>	S141F...	271.4	270	0.5
<input type="checkbox"/>	S141F...	175.7	0	-1.1
<input type="checkbox"/>	S141F...	558	89	-0.4

Unmute Radios

Step 5. Click the “transmitting” icon in the upper right corner of the window.

Note: This is a dynamic setting. Once clicked, the icon will turn green and the BN radios will begin transmitting. NOC Operator or OP Admin rights in TCS are required for this step.

BN-BN002 Connected

Serial Number: S120F1194500006

Sector: 2

Cell: 4

Site: First675N

Market: FirstNet

Region: San Jose

Software Version: 0.901.017.00

Mgmt IP: 172.30.0.42

Boot Time: Jun 11, 2021 3:41 PM

Boot Reason: warm boot

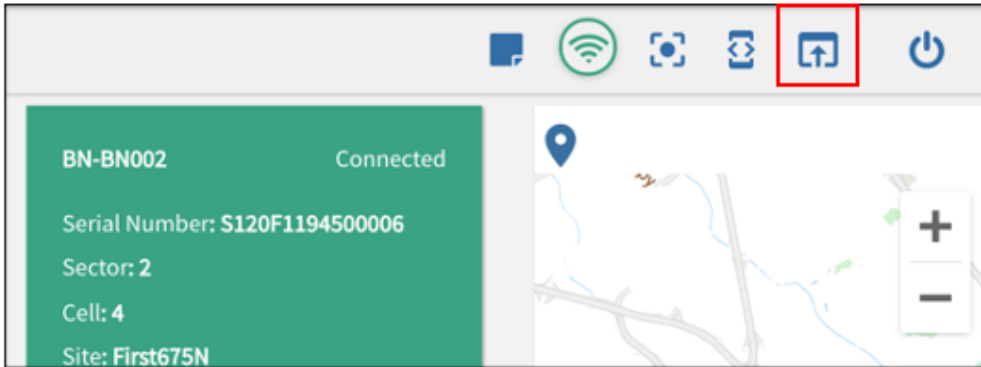
Notes:

Diagnostics

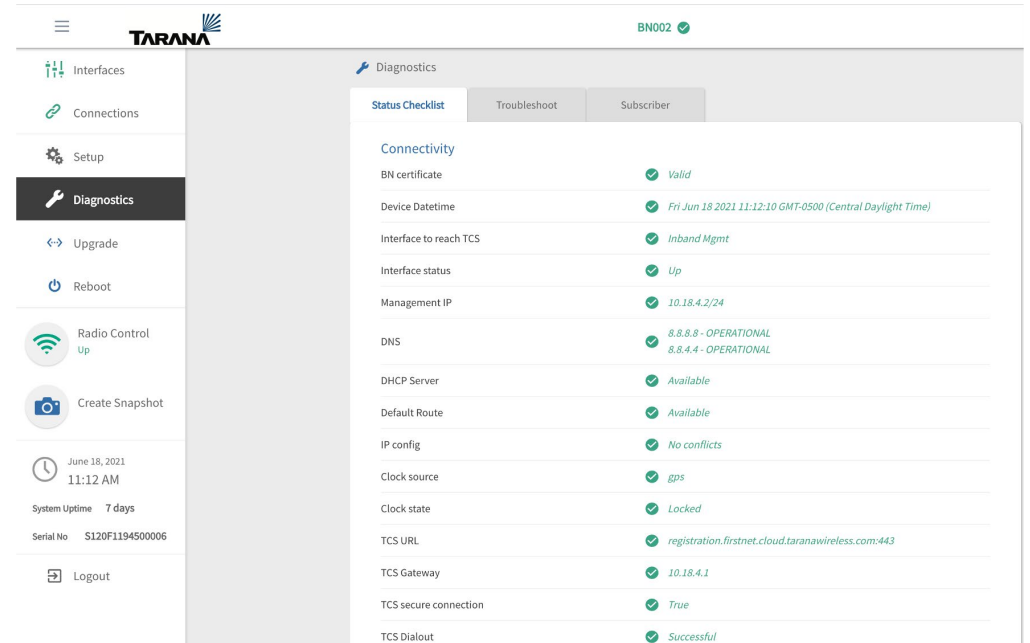
From TCS, login to the BN's Web UI.

Note: This will require NOC Operator rights or better.

Step 1. Log in to the BN Web UI



Step 2. Check the Diagnostics page. This is an important step and provides information if something is not working as expected. For more information about troubleshooting, [G1 Administrator's Guide](#).



Appendix A: DC Defender Installation (1101-1110-KT)

Preparation

Setting up a DC Defender for a G1 Base Node requires gathering, at a minimum, the following:

Tools

- Panduit CT-1002 and Crimpmaster ratchet crimp tools or equivalent
- Soldering iron & wires
- Wire insulation stripper
- Torque driver (25-45 in-lbf)

Hardware

- 1 DC Defender with mounting kit PN 35-0104-001
 - This includes the DC Defender (PN 73-0025-001) and mounting kit (PN 48-0122-001)
- 1 Harting terminated DC cable for the Tarana node side of the DC Defender installation PN 33-0004-XXX (where XXX = length in meters)
- 1 DC cable for the power source side of the DC Defender installation (not included)
 - Belden 5240F1 or equivalent - 16 AWG stranded (7x24) tinned copper conductors, PVC insulation, Beldfoil® shield (100% coverage), drain wire, water-blocking tape, PVC jacket
- 4 terminal ferrules (not included)
 - Panduit FSD78-8-D or equivalent
- 2 terminal rings (not included)
 - Panduit P18-6R-C or equivalent

Specifications for Transtector DC Defender 48-5

Voltage	48 VDC
Standards	ANSI, UL, CSA, IEC 60950, RoHS
Maximum Continuous Operating Voltage	60 VDC
Maximum Line Current	15 Amps
Other Features	Outdoor enclosure
Connector	Compression lugs
Weight	5 lbs.
Dimensions	7.17 x 5.69 x 1.65 inches

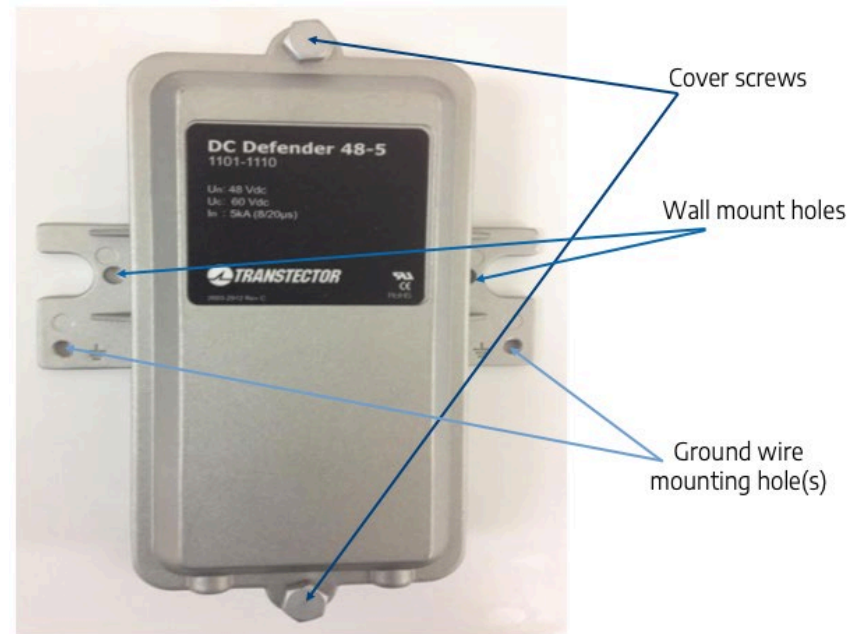


Figure 8: DC Defender Exterior

DC Cable Assembly

The completed DC cable assembly is shown below. This cable assembly will be performed on the ends of 2 DC cables - one connecting to the Tarana node, and the other connecting to the DC power source.

- Step 1. Strip the DC cable insulation to 1.4". The drain, red, and black wires will be exposed.
- Step 2. Cut the red wire to 1" from the cable jacket.
- Step 3. Strip the insulation back 1/2" from the ends.
- Step 4. Insert the red wire conductor into the terminal ferrule. Use crimp tool to crimp the terminal ferrule onto the wire.
- Step 5. Repeat steps 2 through 4 for the black wire.
- Step 6. Insert the drain wire into the terminal ring. Use crimp tool to crimp the terminal ring onto the drain wire.

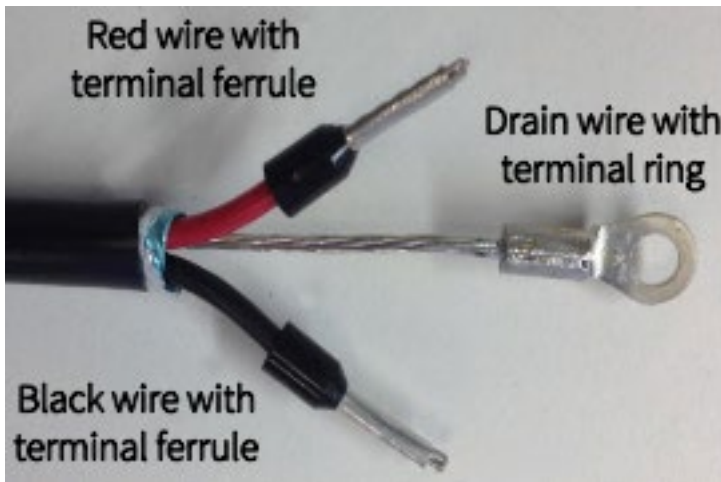


Figure 9: Completed DC Cable Assembly

DC Defender 48-5 Assembly

The complete DC Defender assembly with cover removed is shown below.

Note: The left two terminal lugs should be connected to the DC power source. The right two terminal lugs should be connected to the Tarana node. Positive polarity on the pairs of terminal lugs is located on the left. Both DC cable assembly wires should be routed through the strain relief at the cable openings. The enclosure features a built-in cable retention that grips the cable with a screw down bracket.

- Step 1. Remove the cover by removing the two screws on the front of the unit.
- Step 2. Loosen the terminal lug screws. Insert the red and black wires into the terminals. Torque terminal lug screws to 25 in-lbf.
- Step 3. Loosen the ground lug screws. Install the drain wire rings and torque ground lug screws to 25 in-lbf.
- Step 4. Replace cover and secure with the two screws removed in step 1. Torque to 40-45 in-lbf.

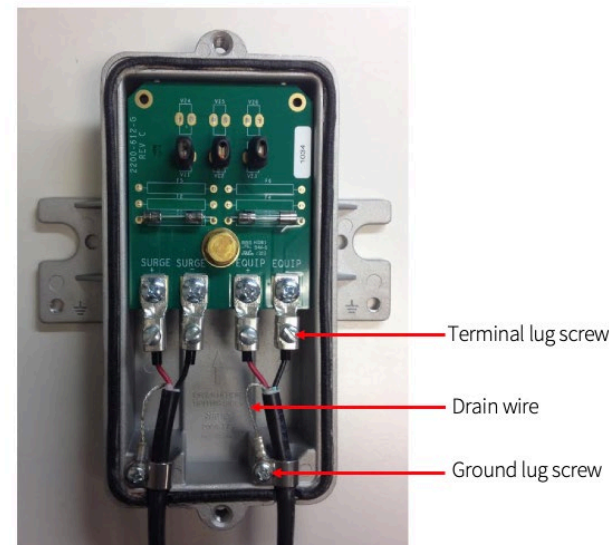


Figure 10: Completed DC Defender Assembly

DC Defender 48-5 Installation

The DC Defender is intended to be installed indoors or outdoors, on wall or pole mount applications. The unit features mounting feet on the sides that mount on 4" center-to-center holes with #10 sized hardware.

The optimum ground connection on the metal enclosure unit at the mounting flange on either side is shown at right. Use minimum 8 AWG wire for a ground attachment.

Install the DC Defender as close to the Tarana Base Node as possible. Mount the unit in the orientation shown, with the strain-reliefs facing the ground.

Grounding

Attach the ground wire (not provided) to the DC defender using the provided ground screw & star washer. The ground wire should be as short as possible (less than 3 feet) between the DC Defender and the site grounding point. Torque ground screw to 40-45 in-lbf.

Wall Mount

Mount the unit to an outside surface using the 2 mounting holes and #10 sized hardware.

Pole Mount

The mounting kit provided supports pole diameters ranging from 4" to 10" and includes a pole clamp, mounting bracket, and 2 screws.

- Step 1. Attach the mounting bracket to the back of the DC Defender using screws provided. Torque to 15-20 in-lbf.
- Step 2. Loosen the tension bolt of the pole clamp completely. Insert the band through the bracket slots.
- Step 3. Place the clamp (with DC Defender) around the pole and tighten the tension bolt to secure the clamp to the pole. Torque to 30 in-lbf.

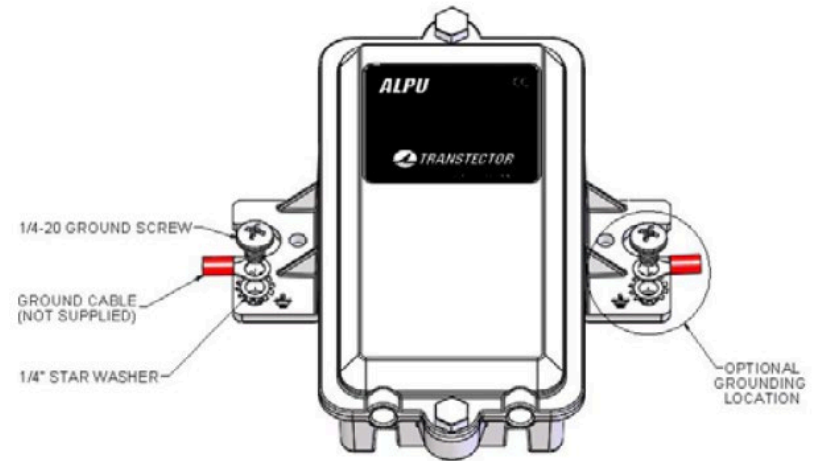


Figure 11: DC Defender Grounding

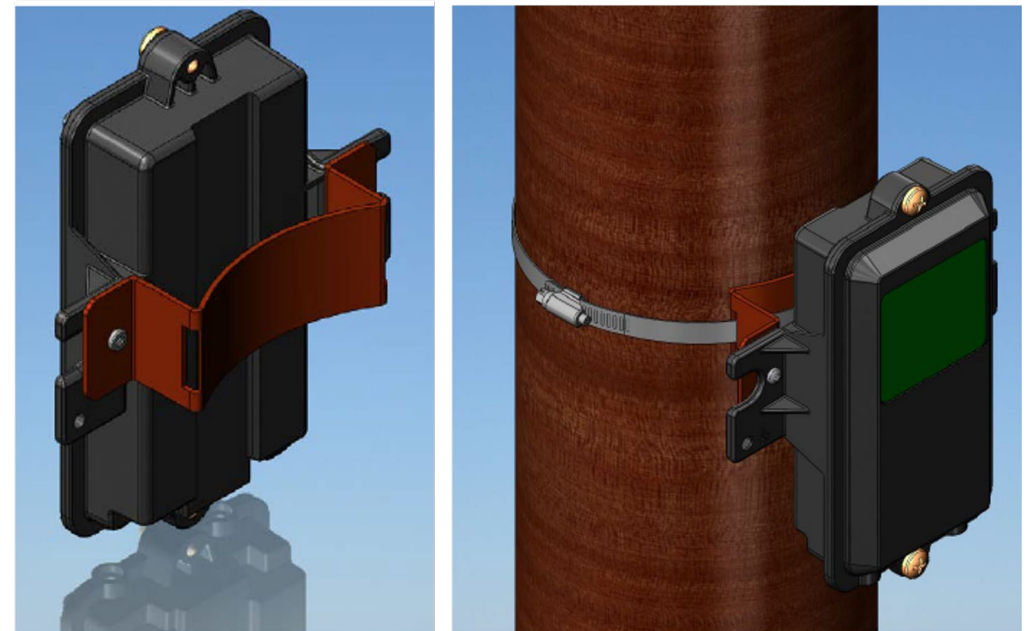


Figure 12: Bracket and Pole Mounted

Appendix B: DC Defender Installation (1101-1027-2)

Preparation

Setting up a DC Defender for a G1 Base Node requires gathering, at a minimum, the following:

Tools

- Panduit CT-2600 and Crimpmaster ratchet crimp tools or equivalent
- Soldering iron & wires
- Wire insulation stripper
- Torque driver (10-45 in-lbf)

Hardware

- 1 DC Defender 1101-1027-2
- Pole mounting kit 1000-1702
- 1 Harting terminated DC cable for the Tarana node side of the DC Defender installation PN 33-0004-XXX (where XXX = length in meters)
- 1 DC cable for the power source side of the DC Defender installation (not included)
 - 9 AWG (or larger) stranded (7x24) tinned copper conductors, PVC insulation, Beldfoil® shield (100% coverage), drain wire, water-blocking tape, PVC jacket
- 2 terminal ferrules (not included)
 - Panduit FSD82-12-D or equivalent
- 1 terminal ring (not included)
 - Panduit P18-6R-C or equivalent
- Drain wire attachment

Specifications for Transtector DC Defender DCOD 48-5

Voltage	48 VDC
Standards	ANSI, UL, CSA, IEC 60950, RoHS
Maximum Continuous Operating Voltage	88 VDC
Maximum Line Current	25 Amps
Other Features	Outdoor enclosure
Connector	Compression lugs
Weight	1 lb.
Dimensions	7.19 x 5.87 x 2.5 inches



Figure 13: DC Defender DCOD 48-5

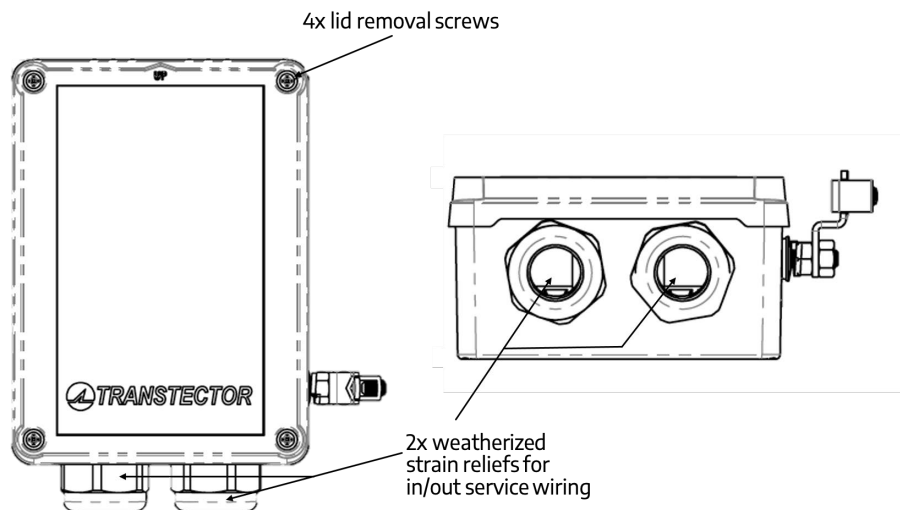


Figure 14: DC Defender DCOD 48-5 Exterior

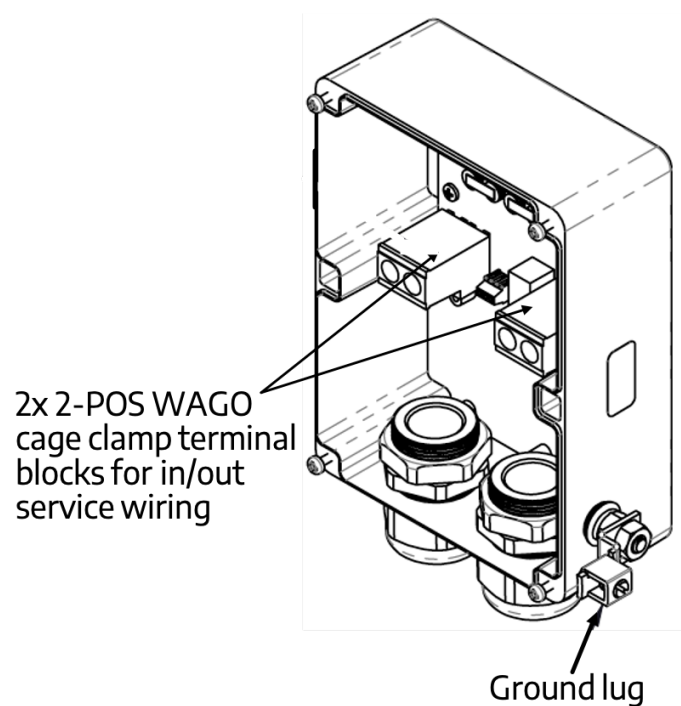


Figure 15: DC Defender DCOD 48-5 Interior

DC Cable Assembly

This cable assembly will be performed on the ends of 2 DC cables - one connecting to the Tarana node, and the other connecting to the DC power source.

- Step 1. Strip the DC cable insulation to 1.4". The drain, red, and black wires will be exposed.
- Step 2. Cut the red wire to 1" from the cable jacket.
- Step 3. Strip the insulation back 1/2" from the ends.
- Step 4. Insert the red wire conductor into the terminal ferrule. Use crimp tool to crimp the terminal ferrule onto the wire.
- Step 5. Repeat steps 2 through 4 for the black wire.
- Step 6. Insert the drain wire into the terminal ring. Use crimp tool to crimp the terminal ring onto the drain wire.

DC Defender DCOD 48-5 Assembly

The complete DC Defender DCOD 48-5 assembly with cover removed is shown below.

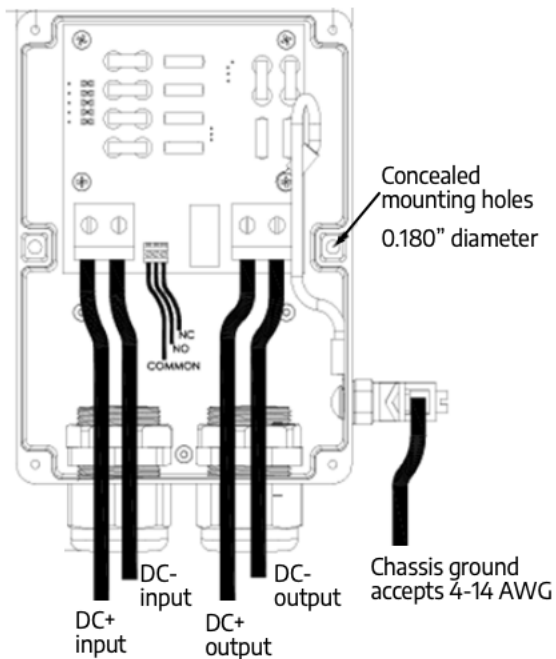


Figure 16: Completed DC Defender DCOD 48-5 Assembly

The DC input conduit accepts 0.450" – 0.705".

The DC output conduit accepts 0.210" – 0.334"

Note: The left two terminal lugs should be connected to the DC power source. The right two terminal lugs should be connected to the Tarana node. Positive polarity on the pairs of terminal lugs is located on the left. Both DC cable assembly wires should be routed through the strain relief at the cable openings. The enclosure features a built-in cable retention that grips the cable with a screw down bracket.

- Step 1. Remove the cover by loosening the four captive cover screws using a Philips head screwdriver and lift off the cover.
- Step 2. Wiring the suppressor: Thread the power cable from the power source to the strain relief adjacent to the power connector marked "input". Strip the cable jacket as needed.

Strip the power conductors 0.4" (10mm) and connect the DC input +/- terminals.

Thread the power cable to the load through the strain relief adjacent to the power connector marked "output". Strip back the cable jacket as needed.

Strip the power conductors 0.4" (10mm) and connect the DC input +/- terminals.

Tighten both connectors to 10 in-lb and tighter the strain relief to 5 in-lb.

- Step 3. Wiring the remote contacts: Each DCOD is capable of remote annunciation. The annunciation is a form c relay contact set capable of up to 2 Amps. The remote annunciation connector accepts #16 to #30 AWG wire and connections for "Common", "Normally Open", and "Normally Closed". Wiring may be part of the multi-conductor power cable or a separate cable (customer to drill hole and install water-tight conduit fitting).
- Step 4. Grounding: Connect the external ground lug on the enclosure to a solid Earth Ground.

Note: The unit **must** be grounded for the suppressor to operate properly.

DC Defender DCOD 48-5 Installation

The DC Defender is intended to be installed indoors or outdoors, on wall or pole mount applications. The unit features mounting feet on the sides that mount on 4" center-to-center holes with #10 sized hardware. The mount foot also adapts to 4" diameter pole mounting kits with 4.5" center-to-center holes and larger hardware.

Install the DC Defender as close to the Tarana Base Node as possible using the provided hardware and the concealed mounting holes. Mount the unit in the orientation shown, with the "UP" marking on the lid facing upward and the cable strain-reliefs facing downward. A pole mounter adapter is available: 1000-1702

Pole Mount

The mounting kit (1000-1702) supports pole diameters ranging from 4" to 10" and includes a pole clamp, mounting bracket, and 2 screws.

- Step 1. Attach the mounting bracket to the back of the DC Defender using screws provided (2x 6-32 x 3/8). Torque to 8-10 in-lbf.
- Step 2. Slide the pole clamp or banding through the slots on the bracket.
- Step 3. Tighten per industry standard.

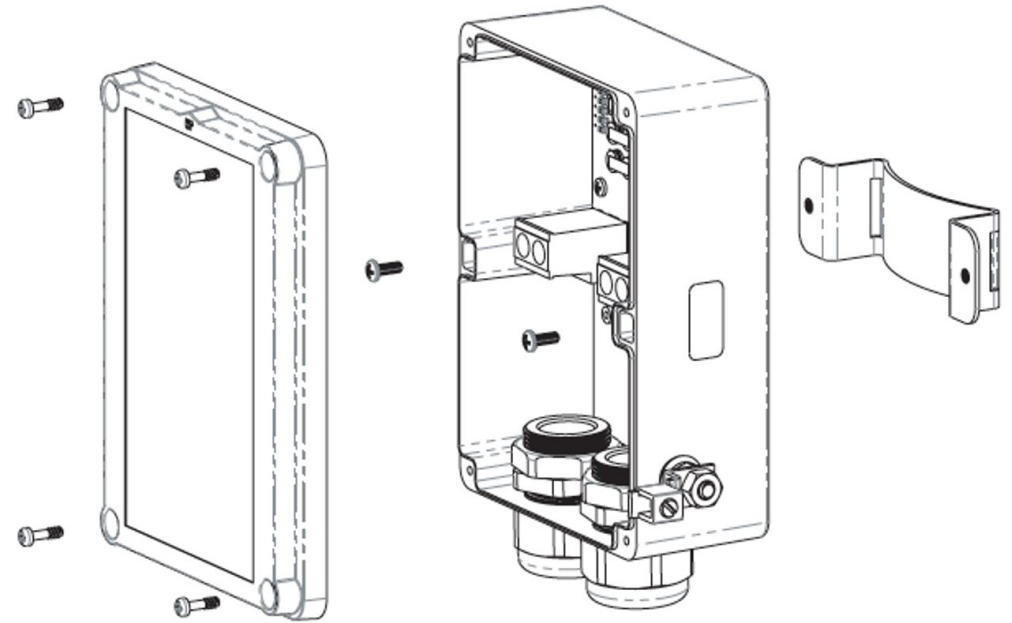


Figure 17: Bracket for Pole Mount

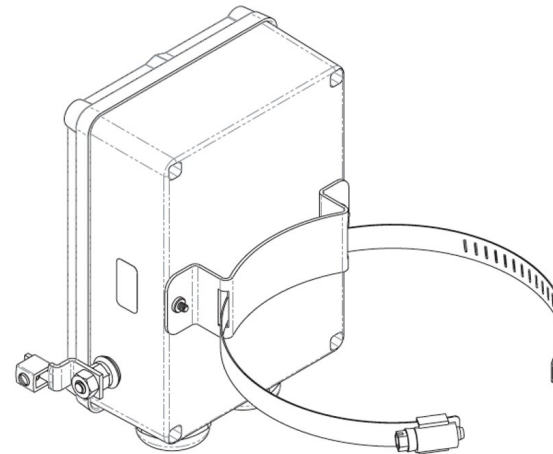


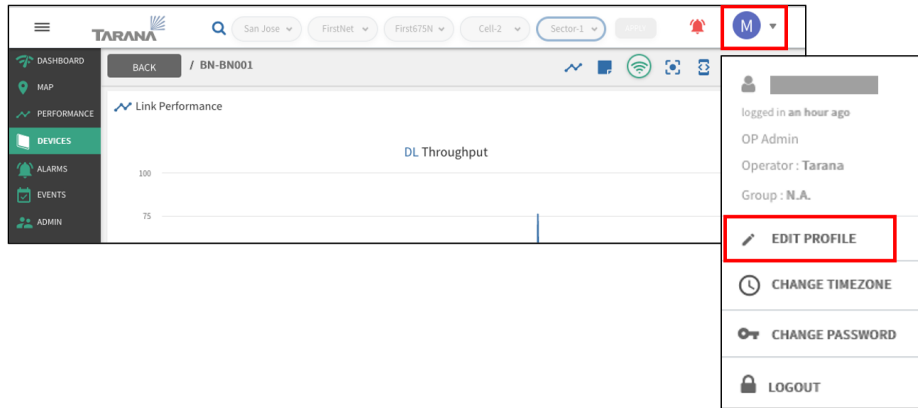
Figure 18: Pole Mount

Appendix C: CBRS Installations

The two CBRS-specific configuration steps in TCS detailed below, should be done *before* any BNs or RNs are installed in the field.

User Profile

For CBRS installations, the CPI should edit their user profile in TCS to include the CPI-ID and upload their CPI certificate. The CPI certificate is a .p12 file.

A screenshot of the 'EDIT USER INFORMATION' form. The form is titled 'EDIT USER INFORMATION' and contains several sections. The 'Personal Information' section includes fields for 'First Name' (Mo) and 'Last Name' (Williams), 'Email Address' (mo@taranawireless.com), and 'Mobile Number' (0000000000). Below this is a section titled 'Is this user a Certified Professional Installer?' with radio buttons for 'Yes' (selected) and 'No'. The 'CPI ID' field contains the text '*Enter CPI ID'. The 'CPI Certificate' section has a dashed border and contains an 'Upload file in .p12 format' button. Below this is a 'CPI Certificate Password' field with a yellow background and a masked password. At the bottom are 'CANCEL' and 'UPDATE' buttons.

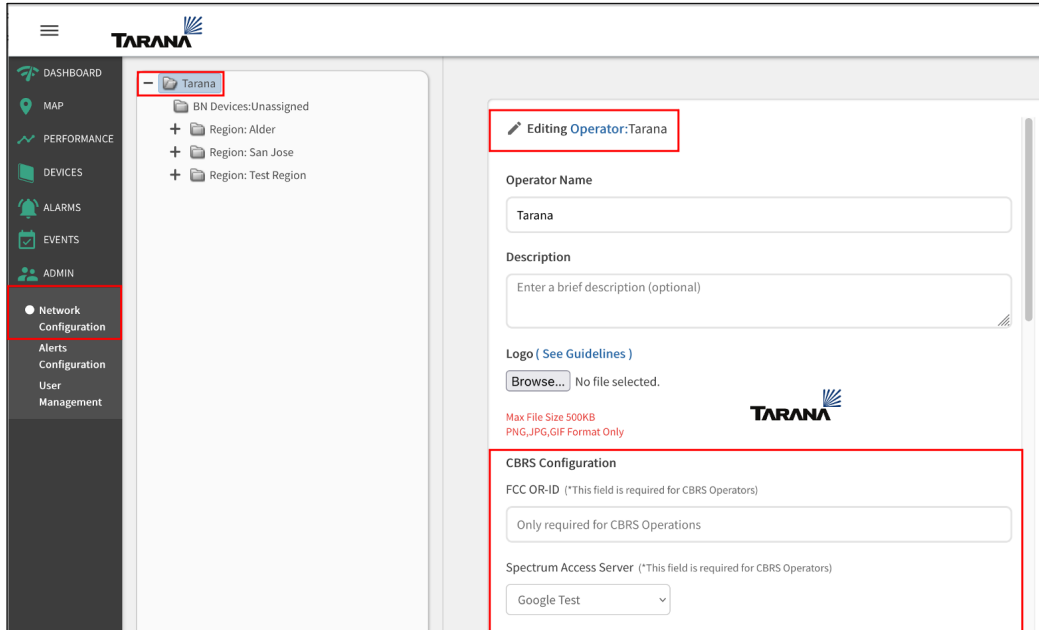
Note: Take care that you enter the CPI-ID number in the CPI-ID field and not the CPI certificate number. For example, note the similarities between a Google .p12 file name and the related CPI-ID:

GOOG-000365_2295819 (name of .p12 file)

GOOG-000365 (CPI-ID)

SAS Configuration

The FCC OR-ID and SAS fields must be configured for CBRS installations. These parameters are under Network Configuration. Edit the Operator page to configure these parameters.



The screenshot shows the Tarana web interface. On the left sidebar, the 'Network Configuration' menu item is highlighted with a red box. The main content area shows the 'Editing Operator: Tarana' page. The 'Operator Name' field is 'Tarana'. The 'Description' field is empty. The 'Logo' field is empty. The 'CBRS Configuration' section is highlighted with a red box and contains the following fields:

- FCC OR-ID (*This field is required for CBRS Operators): Only required for CBRS Operations
- Spectrum Access Server (*This field is required for CBRS Operators): Google Test

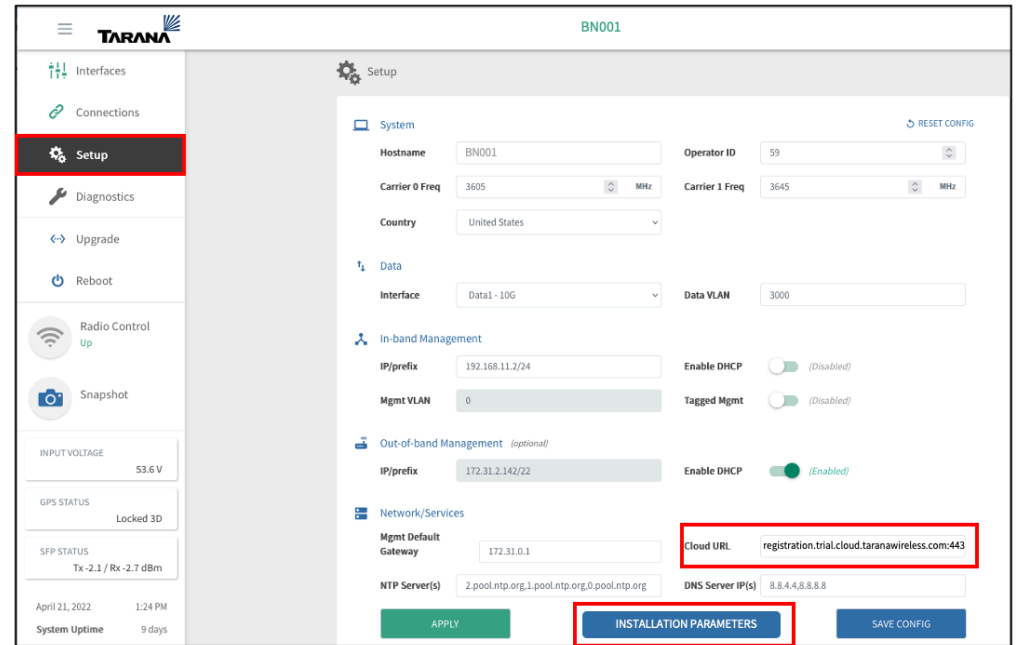
Note: The FCC OR-ID is assigned to customers by the Spectrum Access System provider (Google or Federated Wireless).

CBRS BN Installation (Web UI)

Step 1. Under Setup, change the Cloud URL from:
`registration.cloud.taranawireless.com:443`
to

`registration.trial.cloud.taranawireless.com:443`

Step 2. Click on Installation Parameters.



The screenshot shows the Tarana web interface for BN001. The 'Setup' menu item is highlighted with a red box. The 'Setup' page is displayed, showing various configuration fields. The 'Cloud URL' field is highlighted with a red box and set to `registration.trial.cloud.taranawireless.com:443`. The 'INSTALLATION PARAMETERS' button is also highlighted with a red box.

Step 3. Verify the latitude, longitude, and tilt (received from GPS unit on the BN) and the height and azimuth. For CBRS deployments, height should be measured above ground level (AGL) in meters.

INSTALLATION PARAMETERS

Latitude 37.411415

Longitude -121.916466

Tilt -0.947212

Height 150 m

Azimuth 140.00

Verify that the above information is correct and enter your CPI ID below

CPI ID

CANCEL CONFIRM

Step 4. Enter your CPI-ID. Then click Confirm. **Note:** Check that the number entered is your CPI-ID and not your CPI certificate number.

INSTALLATION PARAMETERS

Latitude 37.411415

Longitude -121.916466

Tilt -0.947212

Height 150 m

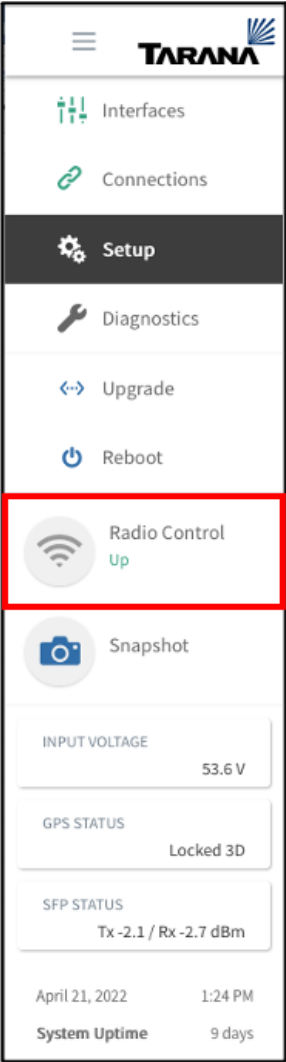
Azimuth 140.00

Verify that the above information is correct and enter your CPI ID below

CPI ID

CANCEL CONFIRM





Step 5. After entering the BN installation parameters, verify that the BN is broadcasting, which is indicated by the Radio Control icon in the BN's web UI.




BN Verification in TCS

From the BN's Device page in TCS, click on the CBRS button in the green device summary card.

S15
Connected

Hostname: BN003
MAC Address:
Sector: North BN 
Cell: Watermill 
Site: Watermill
Market: Springhill 
Region: SoCal 
Software Version: 0.967.001.00
Mgmt IP: 172.27.0.98
Boot Time: Feb 16, 2022 4:12:00 AM
Boot Reason: warm boot
Mgmt VLAN: 100

Here, you can verify that the BN has been assigned spectrum. In the example on this page, the dark green indicates that the spectrum has been granted and authorized by the SAS. If it were light green, this would indicate that the spectrum had been granted but not authorized. In this case, the radios would be off.

CBRS SUMMARY				
Serial Number	CPI ID	FCC-OR ID		
S15				
3550 MHz				3700 MHz
Grant ID	Type	Max EIRP	Freq. Range	Grant Expiration
Carrier0 ✓ 16927913167430227...	GAA	35 dBm/MHz	3550 - 3590 MHz	6 days
Carrier1 ✓ 17581653463624561...	GAA	35 dBm/MHz	3600 - 3640 MHz	6 days

Note: Assigned frequencies and maximum EIRP are determined by the SAS.

Supplier's Declaration of Conformity (5GHz)

Tarana Wireless Inc., as the grantee of this project (FCC ID: 2ABOF-G1-BN5ASI002 Brand Name: Tarana, Model No. G1BN5ASI002), declares that the G1 Base Node (BN device has been evaluated, and is in compliance with FCC Part 15 B rules (refer to the Sporton International report No. FD200624001). The final product consequently complies with the FCC Part 15 B rule applicable for the SDoC procedure.

Filing Type: Supplier's Declaration of Conformity

IC: 11717A-G1BN5ASI002

FCC ID: 2ABOF-G1-BN5ASI002

Equipment: Base Node (BN)

Brand Name: Tarana

Model Name: G1BN5ASI002

HVIN: BN5ASI002

Marketing Name: G1-BN5ASI002

PMN: G1 Product Line

FCC grantee contact person information

Applicant: Tarana Wireless, Inc

Manufacturer: Tarana Wireless, Inc.

590 Alder Drive, Milpitas, CA 95035

URL: www.taranawireless.com

Standard: FCC 47 CFR FCC Part 15 Subpart B Class A

ISED ICES-003 Issue 6 Class A



Signature _____

Name: Christopher Saleem

Title: Regulatory Compliance Manager

Email: compliance@taranawireless.com

Phone: 408.351.4085

Supplier's Declaration of Conformity (CBRS)

Tarana Wireless Inc., as the grantee of this project (FCC ID: 2ABOF-G1-BN3ASI001/
Brand Name: Tarana / Model No.: G1BN3ASI001), we would like to declare that the
BN device section categorized as computer peripheral has been evaluated,
reference - Sporton report No.: FD210405002, and is in compliance with FCC Part
15B rules. The final product shall consequently comply with the FCC rule applicable
for SDoC Procedure.

Filing Type: Supplier's Declaration of Conformity

FCC ID: 2ABOF-G1-BN3ASI001

Equipment: Base Node (BN)

Brand Name: Tarana Wireless

Model Name: G1-BN3ASI001

Marketing Name: G1

FCC Grantee contact person information.

Applicant: Tarana Wireless, Inc

Manufacturer: Tarana Wireless, Inc.

590 Alder Drive, Milpitas, CA 95035

URL: [http://: Taranawireless.com](http://Taranawireless.com)

Standard: FCC 47 CFR FCC Part 15 Subpart B Class A

Signature 

Name: Christopher Saleem

Title: Regulatory Compliance Manager

Email: Certifications@taranawireless.com

Phone: 408.351.4085

Regulatory Information

This device supports UNII-1 and UNII-3 in the FCC (USA); supports UNII-3 only in ISED (Canada), NOM (Mexico), and RCM (Australia).

Compliance	
Safety	<ul style="list-style-type: none">• IEC/EN 62368-1: 2014, Second Edition, + A11:2017• IEC 60950-22:2016 for use in conjunction with IEC 60950-1:2005, AMD1:2009, AMD2:2013• IEC 60529, Edition 2.2 - 2013-08
Radio Approvals	<ul style="list-style-type: none">• FCC Part 15 Subpart E §15.407• FCC Part 96• RSS-247 Issue 2
EMI and susceptibility	<ul style="list-style-type: none">• ISED ICES-003 Issue 6 Class A• FCC Part 15 Subpart B Class A• ICES-3(A)/NMB-3(A)

Responsible party: Tarana Wireless, Inc.

590 Alder Drive, Milpitas, CA 95035

URL: www.taranawireless.com

Deployment in Canada — Industry Canada Statements

Deployment in the US — FCC Statement

This product must be professionally installed.

This device complies with FCC Part 15 rules. Operation is subject to the following two conditions: (1) this device may not cause harmful interference, and (2) this device must accept any interference received, including interference that may cause undesired operation.

Modifications not expressly approved by Tarana Wireless Inc. could void the user's authority to operate the equipment.

NOTE: This equipment has been tested and found to comply with the limits for a Class A digital device, pursuant to part 15 of the FCC Rules. These limits are designed to provide reasonable protection against harmful interference when the equipment is operated in a commercial environment. This equipment generates, uses, and can radiate radio frequency energy and, if not installed and used in accordance with the instruction manual, may cause harmful interference to radio communications. Operation of this equipment in a residential area is likely to cause harmful interference in which case the user will be required to correct the interference at his own expense.

This device complies with FCC RF exposure limits. This equipment should be installed and operated with a minimum distance of 96 cm (37.8 in.) between the radiator and user. This transmitter must not be co-located or operating in conjunction with any other antenna or transmitter.

This product must be professionally installed.

Modifications not expressly approved by Tarana Wireless Inc. could void the user's authority to operate the equipment.

This device complies with Industry Canada licence-exempt RSS standard(s).

Operation is subject to the following two conditions:

(1) this device may not cause interference, and

(2) this device must accept any interference, including interference that may cause undesired operation of the device.

This Class A Digital apparatus meets all the requirements of ICES-003.

To satisfy IC RF exposure requirements for RF transmitting devices, the following distance should be maintained between the antenna of this device and persons during device operation: 96 cm.

This device has been designed to ensure that radio frequency emissions are maintained within the band of operation under all normal operating conditions listed in this manual.

Le produit final doit être installé par un professionnel.

Tarana Wireless Inc n'approuve aucune modification apportée à l'appareil par l'utilisateur, quelle qu'en soit la nature. Tout changement ou modification peuvent annuler le droit d'utilisation de l'appareil par l'utilisateur. ***Le présent appareil est conforme aux CNR d'Industrie Canada applicables aux appareils radio exempts de licence. L'exploitation est autorisée aux deux conditions suivantes :***

(1) l'appareil ne doit pas produire de brouillage, et

(2) l'utilisateur de l'appareil doit accepter tout brouillage radioélectrique subi, même si le brouillage est susceptible d'en compromettre le fonctionnement.

Cet appareil numérique de la classe A est conforme à la norme NMB-003 du Canada.

IC avertissements d'exposition RF Pour satisfaire les exigences d'IC en ce qui a trait aux expositions aux RF pour RF dispositifs de transmission, la distance suivante doit être maintenue entre l'antenne de ce dispositif et des personnes pendant le fonctionnement du dispositif: 96 cm.

Ce dispositif a été conçu pour veiller à ce que les émissions de radiofréquences sont maintenues dans la bande de fonctionnement dans toutes les conditions normales de fonctionnement figurant dans ce manuel.

Resolution 680: Brazil

Regulamento Anatel sobre equipamentos de Radiocomunicação de Radiação Restrita (Resolução nº 680): “Este equipamento não tem direito à proteção contra interferência prejudicial e não pode causar interferência em sistemas devidamente autorizados – Para maiores informações, consulte o site da Anatel

<https://www.gov.br/anatel/pt-br/>

USA CBRS Band Category B Device¹

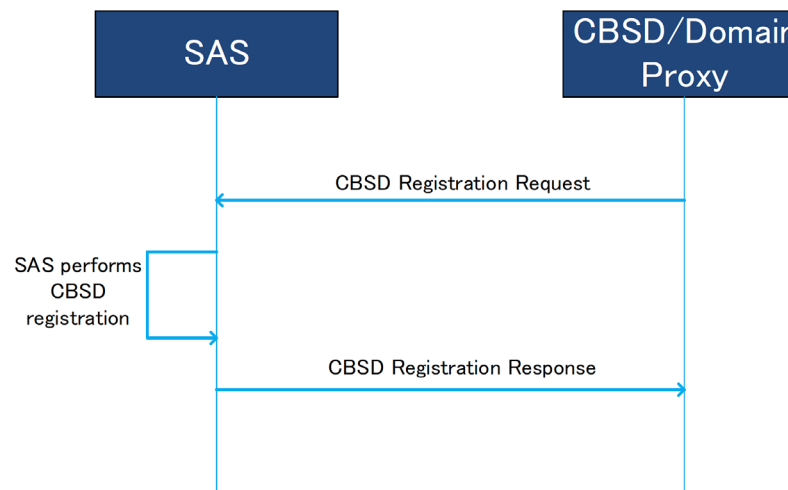
The Tarana BN requires installation by a CPI (Certified Professional Installer) as defined in Section 96.39 and 96.45 of FCC part 96 requirements. The BN is Classified as a Category B CBSD (Citizen Broadband Radio Device), which requires the following information be recorded and uploaded as part of the CPI process per section 96.45.

All CSBDs	Category B Devices
<ul style="list-style-type: none">• Geographic location• Antenna height AGL (m)• CBSD class (Category A or B)• Requested authorization status (PAL or GAA)• FCC ID• Call sign (PALs only)• User contact info• Air interference technology• Serial #• Sensing capability (if supported)	<ul style="list-style-type: none">• Limited to Outdoor operation• Antenna gain• Antenna Beam-width• Antenna Azimuth• Antenna Down tile angle

CBSD Protocol

The SAS-CBSD protocol is based on the HTTPS (HTTP over TLS) protocol. The HTTPS protocol provides transport level assurance that a message has been received by the intended recipient. During discovery, the HTTPS protocol manages SAS-CBSD message delivery.

Communications between the CBSD and SAS are initiated by the CBSD when it is in an Unregistered state.



TLS mutual authentication shall be performed per whenever a CBSD or Domain Proxy communicates with a SAS. TLS-v1.2 shall be used to perform authentication. Previous versions of TLS (e.g., TLS-v1.1 per RFC-4346, TLS-v1.0 per RFC-2246 or SSL-v3.0) shall not be used. During the TLS exchange, mutual authentication shall be performed. The CBSD/Domain Proxy initiating the TLS connection shall authenticate the SAS, and the SAS shall authenticate the CBSD/Domain Proxy.

During the TLS message exchange, the CBSD/Domain Proxy shall authenticate a SAS. Server certificate validation shall be performed. A CBSD or Domain Proxy which is unable to successfully authenticate a SAS shall abort the TLS connection establishment procedure. It is implementation specific when the CBSD should re-attempt the TLS connection establishment procedure.

¹ For FCC. Used in the USA only.

During the TLS message exchange, the CBSD/Domain Proxy provides its client certificate to the SAS. The SAS shall perform client certificate validation.

A SAS which is unable to successfully authenticate a CBSD or Domain Proxy shall abort the TLS connection establishment procedure. A CBSD or Domain Proxy which is unable to successfully setup such an encrypted connection with a SAS shall abort the TLS connection establishment procedure. It is implementation specific when the CBSD/Domain Proxy should re-attempt the TLS connection establishment procedure.

Subsequent to successful authentication, the CBSD/Domain Proxy and SAS shall negotiate a ciphersuite to use for encrypting all communications between the two entities. The ciphersuite shall be selected from the following list (ref. [n.1]):

- TLS RSA with AES 128 GCM SHA256
- TLS RSA with AES 256 GCM SHA384
- TLS ECDHE ECDSA with AES 128 GCM SHA 256

In the absence of the domain proxy, the CBSD first creates a secure association. The CBSD then initiates the Registration procedure by sending a *RegistrationRequest* object to the SAS with parameters that identify the CBSD to the SAS, provide specific information on the CBSD equipment capabilities, and identifies the measurement reporting capabilities of the CBSD. Optionally the CBSD may request the SAS to enroll the CBSD as a member of one or more Groups.

The SAS responds to the CBSD with parameters that indicate whether the registration succeeded or failed.

If the CBSD has any existing Grants prior to sending the Registration Request, all Grants shall be deleted. If the SAS had any existing Grants assigned to the CBSD, upon receiving the Registration Request from the CBSD, all such Grants shall be deleted.

If there is a Domain Proxy and the Domain Proxy is performing bulk CBSD registration, the Domain Proxy aggregates registration information for multiple CBSDs. The Domain Proxy sends an array of Registration Requests to the SAS which represents the aggregated CBSD registration information. Each Registration Request contains one instance of a registration request for a CBSD that the Domain Proxy is registering. Upon reception of the array of Registration Requests, the SAS initiates registration for each CBSD. The SAS responds with an array of Registration Requests, each containing a registration response to a CBSD with parameters that indicate whether the registration succeeded or failed.

Warranty

Tarana warrants that commencing from the date of shipment to you (and in case of resale to you by a Tarana partner, commencing not more than 90 days after our original shipment), and continuing for a period of twelve (12) months, the hardware will be free from defects in material and workmanship under normal use. This limited warranty is not transferrable. Your sole and exclusive remedy and our entire liability under this limited warranty will be, at our option, shipment of a replacement or a refund of the purchase price, if you notify us of the defect within the warranty period and return the hardware to us freight and insurance prepaid. Parts used in replacement may be new or reconditioned. Our obligations are conditioned upon the return of affected hardware in accordance with our then-current standard Return Material Authorization (RMA) procedures. This limited warranty does not cover (a) damage resulting from (i) use in other than the wireless transport applications defined in our product documentation; (ii) use not in accord with applicable spectrum regulations; (iii) handling, testing, installation, operation, maintenance, service, repair, alteration, modification, or adjustment outside of practices and conditions defined in our product documentation; (iv) other general misuse, accident, liquid intrusion, or neglect; (v) unauthorized radio connection to equipment not supplied by us; (vi) illegal or unauthorized alteration of software or firmware; (vii) acts of nature (such as lightning) or performance failure of other equipment (including electrical transients and over/under voltage); (b) scratches, discoloration, or other cosmetic damage to surfaces that do not affect operation; (c) normal and customary wear and tear; and (d) any product where serial number, revision level, part number, date code, warranty data, tamper-proof seals, or quality assurance decals have been removed or altered.

DISCLAIMER: Except as specified above, all express or implied conditions, representations, and warranties including, without limitation, any implied warranty or condition of merchantability, fitness for a particular purpose, non-infringement, satisfactory quality, non-interference, accuracy of informational content, or arising from a course of dealing, law, usage, or trade practice, are hereby excluded to the extent allowed by applicable law and are expressly disclaimed by us. To the extent an implied warranty cannot be excluded, such warranty is limited in duration to the express warranty period. This disclaimer and exclusion will apply even if the express warranty set forth above fails of its essential purpose.

Tarana products are not designed, intended, or certified for use in communication systems for, or relating to (a) weapons or weapons systems, (b) nuclear facilities, (c) air traffic control or other mass transportation systems, (d) life support systems or other medical devices, (e) applications where electrical sparks could trigger explosions or fires, or (f) any other systems, devices or applications in which the failure of the product to operate as intended may lead to death, bodily injury, or catastrophic property damage (each an "Unauthorized Use"). Many of such Unauthorized Uses would require specific industry certification which has not been sought or obtained for the Tarana products.

LIABILITY. Tarana will not be liable for any special, incidental, indirect, or consequential damages (including lost profits or property damage) arising out of or relating to the sale of the goods to you or your possession, installation, use, operation or repair of the goods, even if the goods are nonconforming, defective, infringing, delayed, or not delivered, and even if Tarana has been advised of the possibility of such damages. You agree to indemnify and hold us harmless from any claims, suits, demands and causes of action arising out of or relating to your possession, installation, use, operation or repair of the goods. Notwithstanding any other provisions of this document, in no event will our total liability in connection with or relating to the goods exceed the amount you have paid us for the goods.