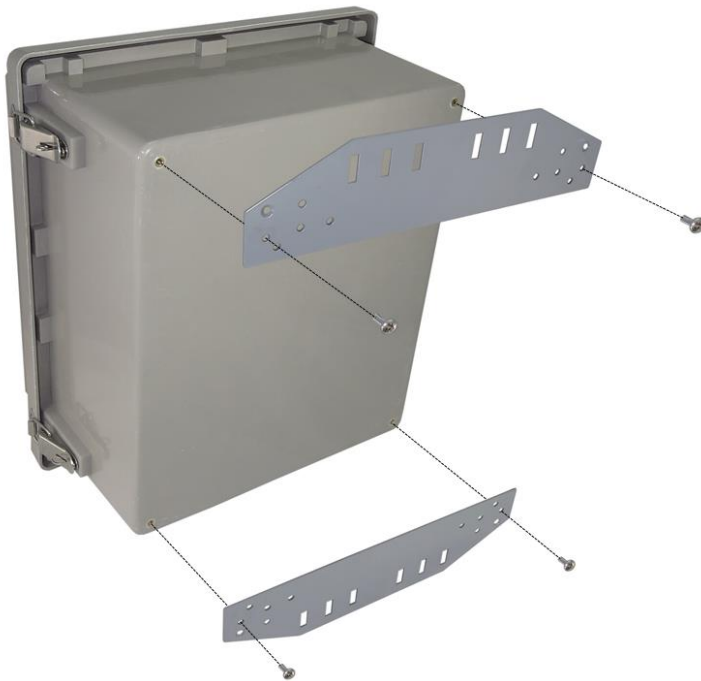


**WARNING: READ ALL INSTRUCTION BEFORE USE. THIS MOUNTING KIT IS DESIGNED TO BE INSTALLED BY A TRAINED PROFESSIONAL INSTALLER.**

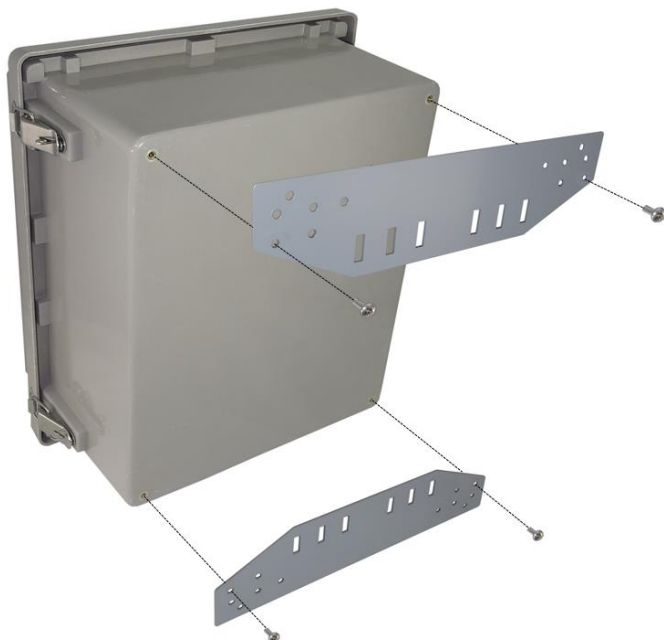
## **NMK-0003 and NMK-0006 Pole/Wall Mounting Kit Instruction Sheet**



### **For Pole Mounting:**

Position mounting brackets as shown and attach to rear of enclosure using the M5 screws supplied with enclosure.

Thread included steel bands through brackets before securing to pole.



### **For Wall Mounting:**

Position mounting brackets as shown and attach to rear of enclosure using the M5 screws supplied with enclosure.

**WARNING: INSTALLATION OF THIS PRODUCT NEAR POWERLINES IS DANGEROUS.  
FOR YOUR SAFETY, FOLLOW THE INSTALLATION DIRECTIONS**

Under some conditions, this enclosure may not prevent electrocution. Users should keep enclosure away from any overhead wires. If enclosure contacts a power line, any initial protection could fail at any time. IF ENCLOSURE NEARS ANY OVERHEAD WIRES, IMMEDIATELY LET GO, STAY AWAY, AND CALL UTILITY COMPANY

**THIS ENCLOSURE IS DESIGNED TO BE INSTALLED ONLY BY A TRAINED PROFESSIONAL INSTALLER**

**Warning:** To avoid electric shock, grounding must be installed by the installer as part of the installation. The unit must be grounded and installed in accordance with National Electrical Codes (NEC) and any local codes. Note that non-metallic enclosures do not provide grounding between conduit connections.

**Warning:** Enclosure must be secured using a pad-lock when energized to prevent unauthorized access and shock hazard.

**Important:** Look over the site before beginning installation, and anticipate possible hazards.

Select a safe site to install the enclosure.

If you have power lines in the area, call your local electric utility for assistance.

**NEVER** work alone; always have someone near who can summon help.

Check weather conditions. Be sure that the area is not slippery and make sure that rain or thunderstorms are not predicted for the day you install the enclosure.

If you need to use a ladder, make sure it is made of non-conductive (non-metallic) material

Enclosures improperly installed or installed to an inadequate structure are susceptible to wind damage that can be very serious or even life threatening. Ensure that the installation is properly grounded. Ensure that the enclosure is properly secured and structurally sound to support all loads (weight, wind & ice).

**Rooftop Installation Warning**

**DO NOT** assume that just because you're on a roof, you're isolated from ground. You may still be electrocuted or fall off the roof.